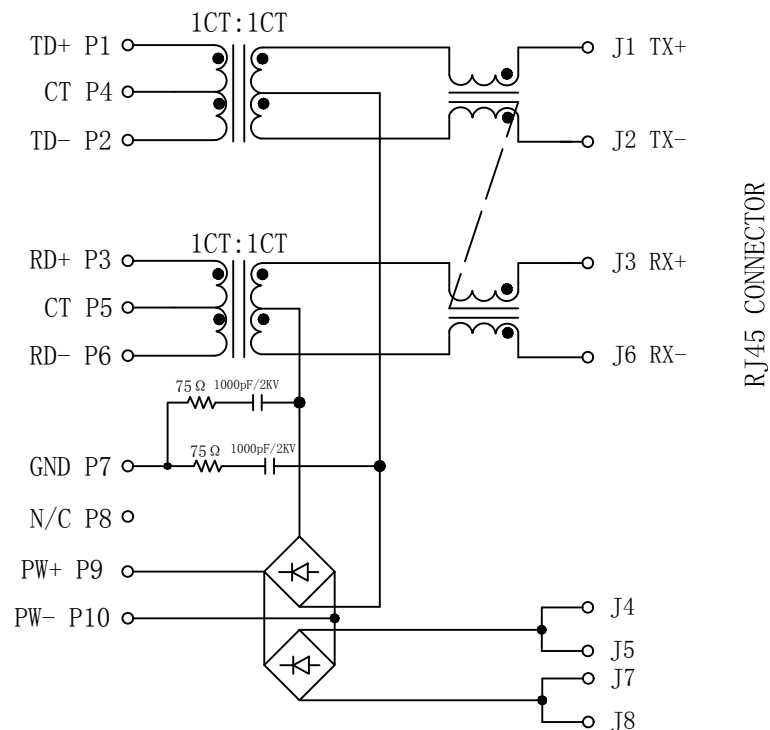


# Schematic:

REV.	ECN NO.	DESCRIPTION	DATE	APPD
A	REL		2009/05/30	

PC BOARD CONNECTIONS



RJ45 CONNECTOR

## ELECTRICAL SPECIFICATIONS @25°C

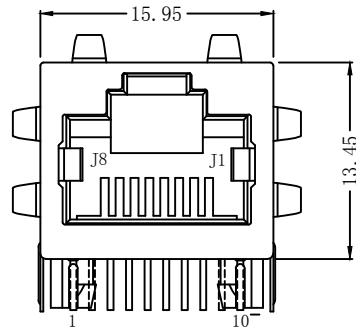
- Turn Ratio (@100KHz, 0.1V):  
 PINS: (1-2) : (J1-J2) = 1 : 1 ±3%  
 PINS: (3-6) : (J3-J6) = 1 : 1 ±3%
- OCL (@100KHz, 100mV, 8mA DC Bias):  
 PINS: (1-2), (3-6) = 350uH MIN
- Insertion Loss:  
 -1.1dB MAX @0.1~100MHz
- Return Loss:  
 -18dB MIN @0.5~30MHz  
 -15.5dB MIN @40MHz  
 -13.6dB MIN @50MHz  
 -12dB MIN @60~80MHz
- Cross talk:  
 -38dB TYP @1~100MHz
- Common Mode Rejection:  
 -50dB TYP @0.1~30MHz  
 -40dB TYP @30~60MHz  
 -30dB TYP @60~100MHz
- Hipot Test: 1500Vrms
- Operating Temperature: -40°C ~ +85°C.



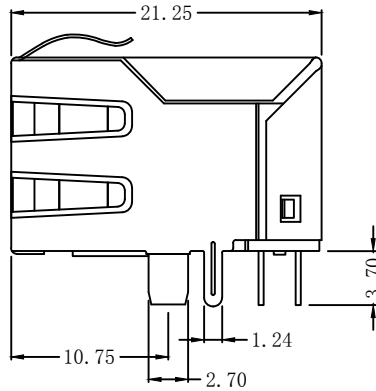
X:X	±0.30	APPD: TOM	LINK-PP INT'L TECHNOLOGY CO., LIMITED
X:XX	±0.25	CHKD: JAMES	
X:XXX	±0.05	DR: LEO	TITLE: RJ45 Connector with 10/100 Base-T Integrated Magnetics For PoE Application
ANGLES	±1°	UNIT: mm	PART NO.: LPJ160284CNL
	SCALE: 2/1	SHEET: 1/4	REV: A DWG NO: LP09053002

# Mechanical:

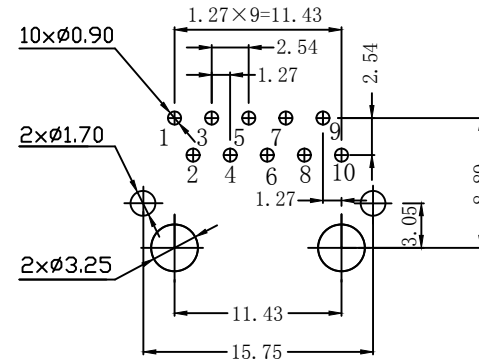
REV.	ECN NO.	DESCRIPTION	DATE	APPD
A	REL		2009/05/30	



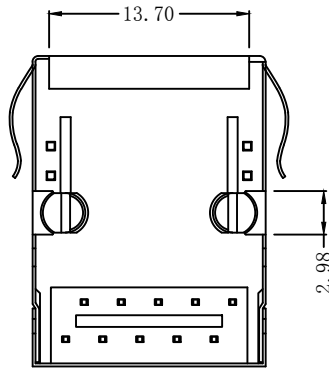
Front Side View



Left Side View



Suggested PCB Layout (Top View)



Bottom Side View



Top Side View

### NOTES:

1. Designed to support application, such as SOHO (ADSL modems), LAN-on-Motherboard (LOM), hub and Switches.
2. Meets IEEE 802.3 specification
3. Connector Materials:  
 Housing: Thermoplastic PBT+30%G.F UL94V-0  
 Contact: Phosphor Bronze C5210R-EH Thickness=0.35mm  
 Pins: Brass C2680R-H Thickness=0.35mm  
 Shield: SUS 201-1/2H Thickness=0.2mm  
 Contact plating: Gold 6 micro-inches min. In contact area.
4. Wave solder tip temperature: 250°C, 5 Sec.
5. UL Certification: File Number E484635.



X:X	±0.30	APPD: TOM	LINK-PP INT'L TECHNOLOGY CO., LIMITED
X:XX	±0.25	CHKD: JAMES	
X:XXX	±0.05	DR: LEO	TITLE: RJ45 Connector with 10/100 Base-T Integrated Magnetics For PoE Application
ANGLES	±1°	UNIT: mm	PART NO.: LPJ160284CNL
	SCALE: 2/1	SHEET: 2/4	REV: A DWG NO: LP09053002