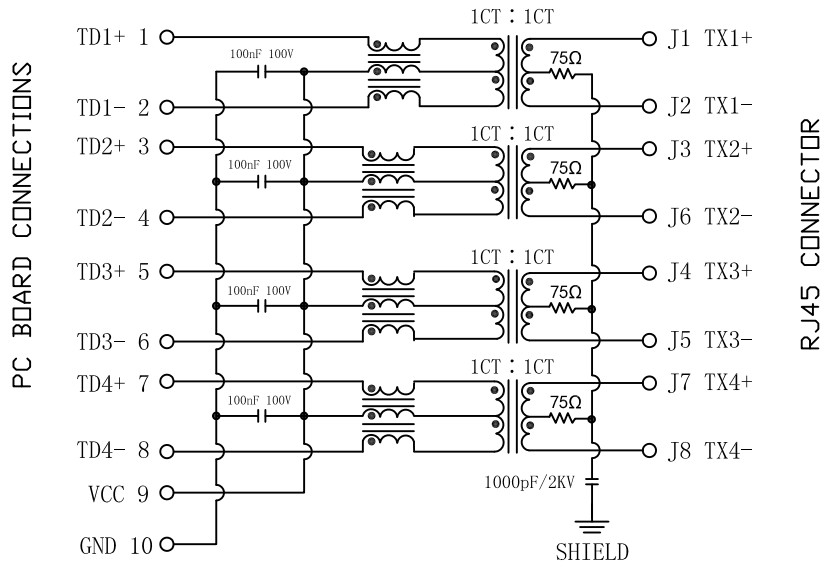


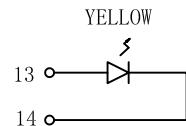
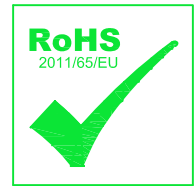
Schematic:

REV.	ECN NO.	DESCRIPTION	DATE	APPD
A	REL		2021-01-28	



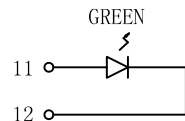
ELECTRICAL SPECIFICATIONS @25°C

- Turn Ratio ($\pm 2\%$):
Pri : Sec = 1CT : 1CT
- Inductance OCL:
150uH Min @100KHz, 0.1V
- Insertion Loss (dB Max):
1~50MHz: -0.5 50~125MHz: -1.0
- Return Loss (dB Min):
1~40MHz: -20
40~200MHz: -20+15*LOG (f/40)
- Cross talk (dB Min):
1~125MHz: -30
- Common Mode Rejection Ratio (dB Min):
30~200MHz: -30
- Common to Diff Rejection Ratio (dB Min):
10~125MHz: -45+f/35
- Hipot Test: 1500Vrms Min
- Operating Temperature: -40°C ~ +85°C.



LEFT LED

LED POLARITY		COLOR
PIN 13	PIN 14	
+	-	YELLOW



RIGHT LED

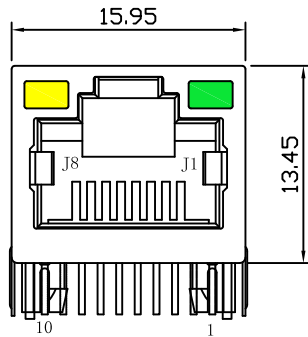
LED POLARITY		COLOR
PIN 11	PIN 12	
+	-	GREEN

Emitting Color	λ_p (nm)	V _F @I _F =20mA	I _R @V _R =5V
GREEN	565	1.8~2.6V	10 μ A max
YELLOW	585	1.8~2.6V	10 μ A max

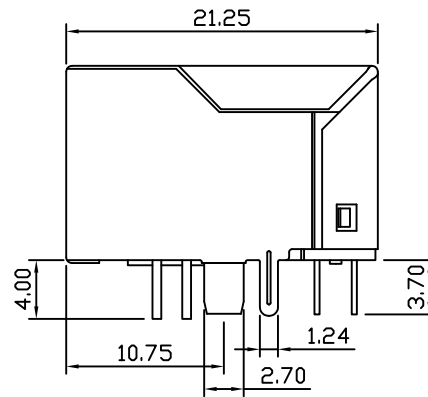
X:X ± 0.30	APPD:	LINK-PP INT'L TECHNOLOGY CO., LIMITED
X:XX ± 0.25	CHKD:	
X:XXX ± 0.05	DR: TOM	TITLE: RJ45 Connector with 2.5G Base-T Integrated Magnetics
ANGLES $\pm 1^\circ$	UNIT: mm	PART NO.: LPJM16438BDNL
	SCALE: 2/1	SHEET: 1/2
	REV: A	DWG NO.: LP21012801

Mechanical:

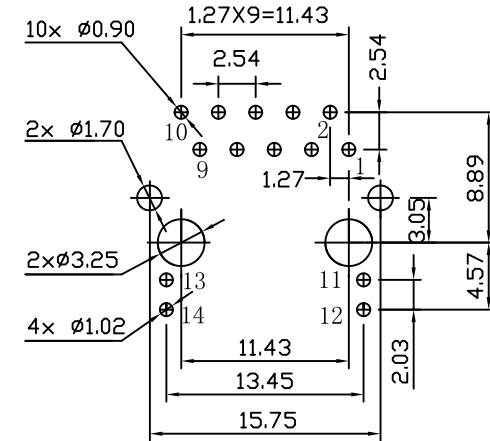
REV.	ECN NO.	DESCRIPTION	DATE	APPD
A	REL		2021-01-28	



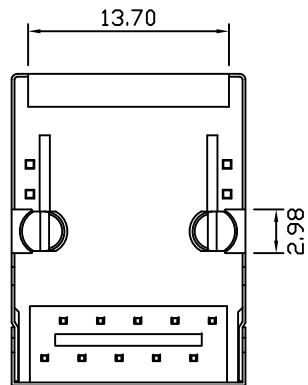
Front Side View



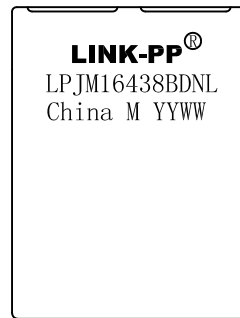
Left Side View



Suggested PCB Layout (Top View)



Bottom Side View



Top Side View

NOTES:

1. Designed to support application, such as SOHO (ADSL modems), LAN-on-Motherboard (LOM), hub and Switches.
2. Meets IEEE802.3 specification.
3. Connector Materials:
 Housing: Thermoplastic PBT+30%G.F UL94V-0
 Contact: Phosphor Bronze C5210R-EH Thickness=0.35mm
 Pins: Brass C2680R-H Thickness=0.35mm
 Shield: SUS 201-1/2H Thickness=0.2mm
 Contact plating: Gold 6 micro-inches min. In contact area.
4. Wave solder tip temperature: 250°C, 5 Sec.
5. UL Certification: File Number E484635.

X:X ±0.30	APPD:	LINK-PP INT'L TECHNOLOGY CO., LIMITED
X:XX ±0.25	CHKD:	
X:XXX ±0.05	DR: TOM	TITLE: RJ45 Connector with 2.5G Base-T Integrated Magnetics
ANGLES ±1°	UNIT: mm	PART NO.: LPJM16438BDNL
	SCALE: 2/1	SHEET: 2/2
	REV: A	DWG NO.: LP21012801