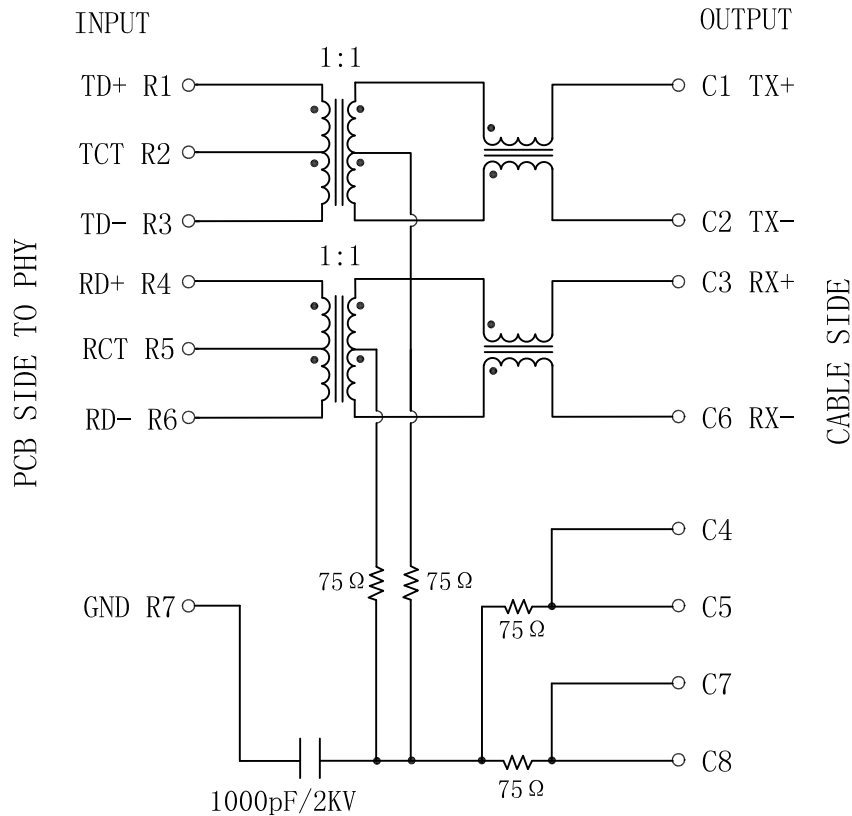


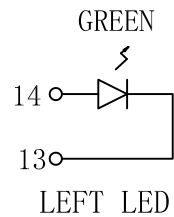
Schematic:

REV.	ECN NO.	DESCRIPTION	DATE	APPD
A	REL		2010/06/09	

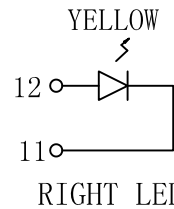


Electrical Specifications @25°C

- Transmitter filter & Receiver filter
Type: Balance low pass 100Ω impedance
Insertion Loss: 1-100MHz: -1.0dB MAX
Return Loss:
1-30MHz: -18dB MIN. load 100Ω
30-60MHz: -16dB MIN. load 100Ω
60-80MHz: -12dB MIN. load 100Ω
- Turns Ratio: TX=1:1 RX=1:1
- Inductance @ 100KHz, 0.1V, 8mA DC BIAS
Input (R1-R3), Input (R4-R6): 350uH MIN
- Crosstalk (min): 1-100MHz: -30dB MIN
- CMR: 1-100MHz: -30dB MIN
- Hipot:
Input (R1-R3) to Output (C1-C2): 1500VAC, 60sec
Input (R4-R6) to Output (C3-C6): 1500VAC, 60sec
- Operating Temperature: -40°C ~ +85°C.



LED POLARITY		COLOR
PIN 14	PIN 13	
+	-	GREEN



LED POLARITY		COLOR
PIN 12	PIN 11	
+	-	YELLOW



Emitting Color	λ p(nm)	VF@IF=20mA	IR @VR=5V
Green	570	1.8~2.6V	10 μ A max
Yellow	585	1.8~2.6V	10 μ A max

X:X	±0.30	APPD:	LINK-PP INT'L TECHNOLOGY CO., LIMITED	
X:XX	±0.25	CHKD:	TITLE: RJ45 2×1 W/Transformer.10/100 Base-T W/LED	
X:XXX	±0.05	DR: TOM	PART NO.: LPJ17206AHNL	
ANGLES	±1°	UNIT: mm	DWG NO.: LP10060903	
SCALE: 2/1		SHEET: 1/2	REV: A	

