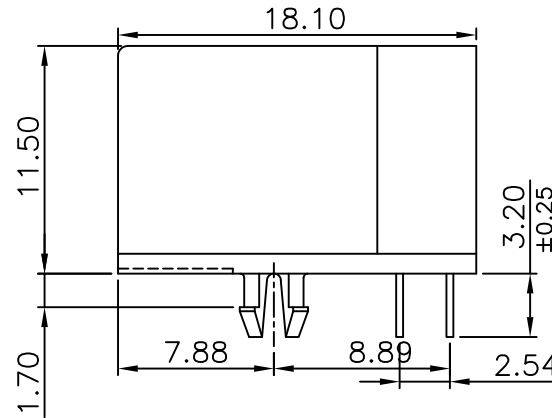
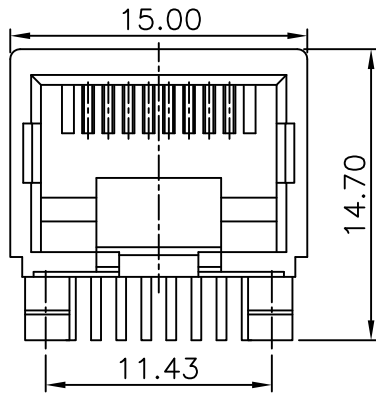


Mechanical:

REV.	ECN NO.	DESCRIPTION	DATE	APPD
A	REL		2017/05/19	



MATERIAL:

INSULATOR BODY : PBT, UL94V-0, BLACK COLOUR
 CONTACTS : PHOSPHOR BRONZE, GOLD PLATED

ELECTRICAL DATA:

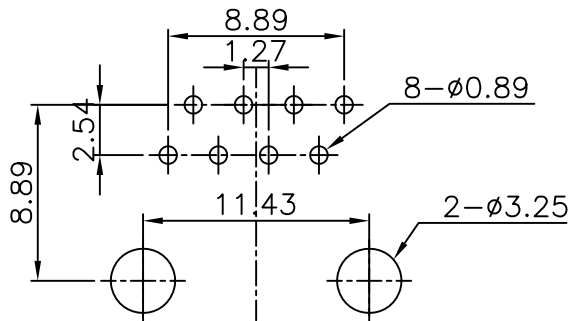
1. CURRENT RATING : 1.5A
 2. VOLTAGE RATING : 150VAC Max
 3. CONTACT RESISTANCE : 30MΩ Max
 4. INSULATION RESISTANCE : 1000MΩ Min

MECHANICAL DATA:

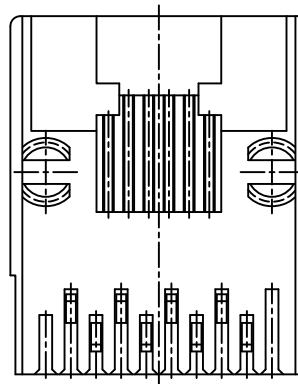
1. MECHANICAL LIFE : 50 CYCLES Min.

ENVIRONMENTAL DATA:

1. OPERATING TEMPERATURE RANGE : -40°C to +70°C



PC Board Layout (Top View)



LPJE180XNNLF

Gold Plating	"X"
1.5u"	1
3u"	2
6u"	3
15u"	4
30u"	5
50u"	6



X:X ±0.25	APPD:	LINK-PP INT'L TECHNOLOGY CO., LIMITED
X:XX ±0.10	CHKD:	
X:XXX ±0.05	DR: James	TITLE: RJ45 1×1 CONNECTOR
ANGLES ±1°	UNIT: mm	PART NO.: LPJE180-3NNLF
	SCALE: 2/1	SHEET: 1/1
	REV: A	DWG NO.: LP17051902