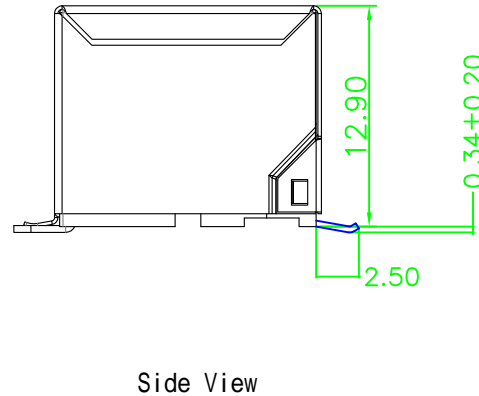
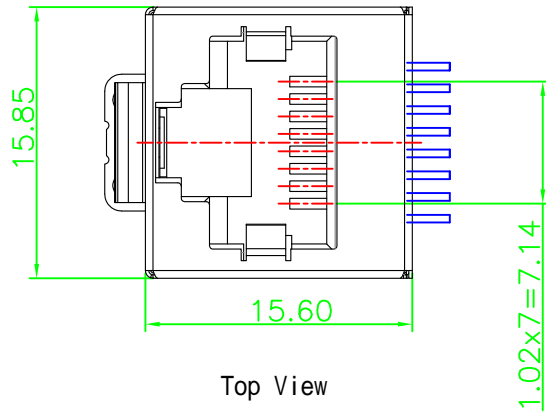
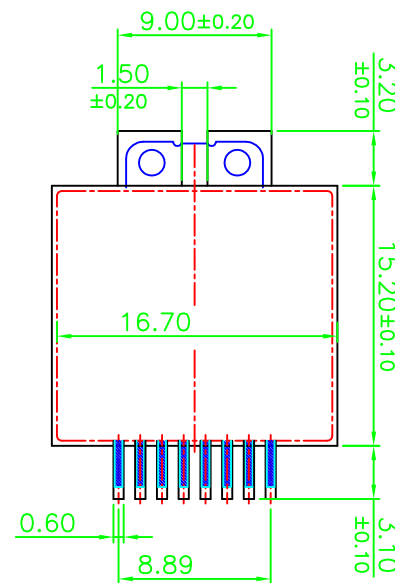
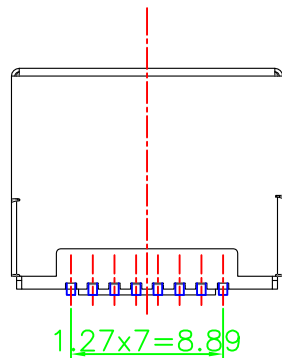


REW.	ECN NO.	DESCRIPTION	DATE	APPD
A	REL		2014/05/12	



MATERIALS:
 PLASTIC HOUSING:HIGH TEMP THERMOPLASTIC
 FLAMMABILITY RATING UL94V-0
 CONTACT:PHOSPHOR BRONZE
 PLATING:GOLD PLATING OVER NICKEL ON CONTACT
 TIN PLATING OVER NICKEL IN SOLDER AREA
 SOLDER PAD: BRASS WITH TIN PLATING OVER NICKEL



Electrical:

- 1.Voltage Rating : 125VAC RMS
- 2.Current Rating : 1.5AMP
- 3.Contact Resistance : 40 M MAX
- 4.Insulation Resistance : 1000 M Min @500V DC
- 5.Dielectric Strength : 1000VAC RMS 60HZ,1MIN

Mechanical:

- 1.Contact Material : Diameter 0.46mm Phosphor Bronze
Gold Plating Fu
- 2.Operation Life : 750 Cycles Min

Environmental

- 1.Storage : -40 to +85
 - 2.Operation : -40 to +85
 - 3.IR Reflow Soldering Temperature: 255 to 265 Max, 5-10 Sec Max
- UL Certification : File Number E484635

X:X	±0.25	APPD:	LINK-PP INT'L TECHNOLOGY CO., LIMITED	
X:XX	±0.20	CHKD:	TITLE: Top Entry SMD Rj45 Jack 8P8C Shield, Wo/LED, Wo/Mag	
X:XXX	±0.05	DR: TOM	PART NO.: LPJ29971	
ANGLES	±1°	UNIT: mm		
	SCALE: 1/1	SHEET: 1/1	REV: A	DWG NO.: LP0512238S