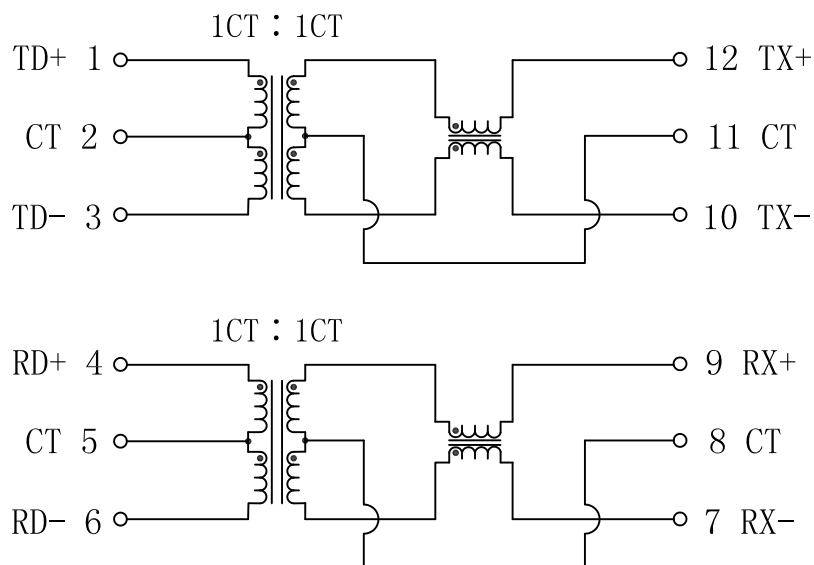


Schematic :

REV.	ECN NO.	DESCRIPTION	DATE	APPD
A	REL		2011/06/17	



Electrical Specifications @25°C

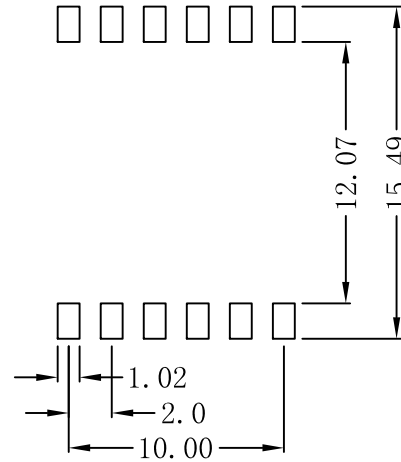
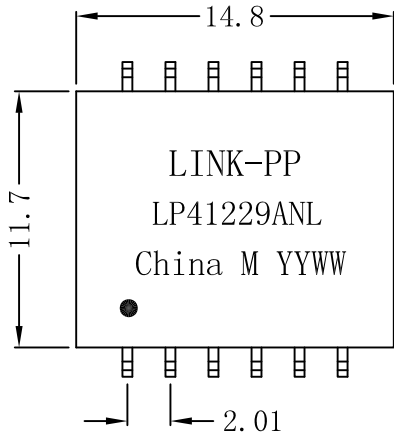
- Turns Ratio($\pm 3\%$):
TX=1CT : 1CT TX=1CT : 1CT
- Primary OCL:
150uH Min, 450uH Max @100Khz, 0.1Vrms
- Primary Leakage:
0.5uH Max @100Khz, 0.1Vrms
- Cww: 35pF Max. Pri to Sec.
- DCR:
Primary: 0.7 Ω Max, Secondary: 1.2 Ω Max
- Insertion Loss:
1-100MHz: -1.0dB Max
- Return Loss(dB Min):
1-30MHz: -18 40MHz: -16
50MHz: -16 60-100MHz: -10
- Crosstalk(dB Min):
1-100MHz: -33
- DMRR(dB Min):
1-60MHz: -35 60-10MHz: -30
- Hipot: 4300Vdc Max.
- Operating Temperature: -40°C ~ +125°C.



X:X	APPD:	LINK-PP INT'L TECHNOLOGY CO., LIMITED
X:XX ± 0.25	CHKD:	
X:XXX	DR: TOM	TITLE: 10/100 Base-T Single Port Transformer Modules
ANGLES $\pm 1^\circ$	UNIT: mm	PART NO.: LP41229ANL
	SCALE: 2/1	SHEET: 1/2
	REV: A	DWG NO.: LP19011601

Mechanical :

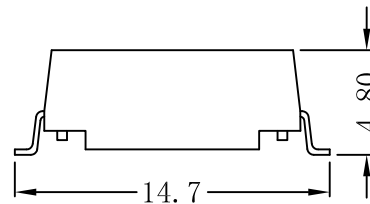
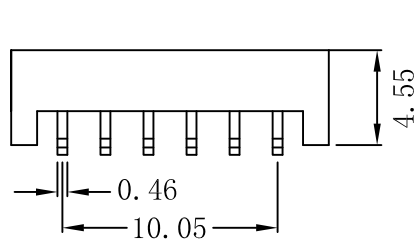
REV.	ECN NO.	DESCRIPTION	DATE	APPD
A	REL		2011/06/17	



SUGGESTED PAD LAYOUT

NOTES:

1. Designed to support application, such as SOHO (ADSL modems), LAN-on-Motherboard (LOM), hub and Switches.
2. Meets IEEE 802.3 specification.
3. Maximum reflow temperature is 250°C, 5 Sec.
4. UL certification: file number E484635.



Dimensions: mm

Unless otherwise specified, all tolerances are ± 0.25

X:X	APPD:	LINK-PP INT'L TECHNOLOGY CO., LIMITED		
X:XX ± 0.25	CHKD:	TITLE: 10/100 Base-T Single Port Transformer Modules		
X:XXX	DR: TOM	PART NO.: LP41229ANL		
ANGLES $\pm 1^\circ$	UNIT: mm			
	SCALE: 2/1	SHEET: 2/2	REV: A	DWG NO.: LP19011601