

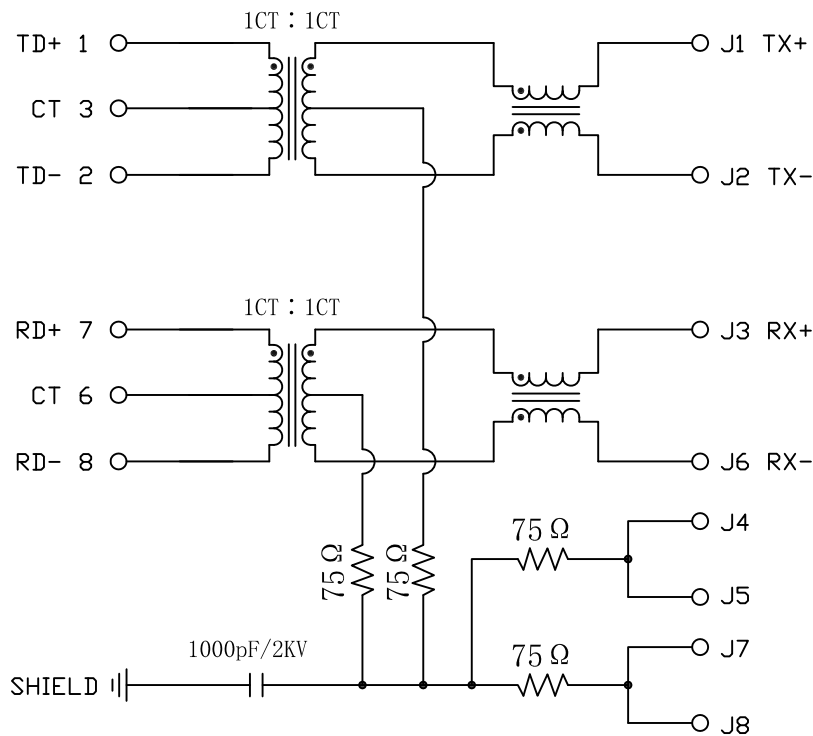
# Schematic:

REV.	ECN NO.	DESCRIPTION	DATE	APPD
A	REL		2014/02/27	

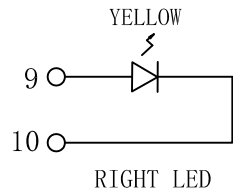
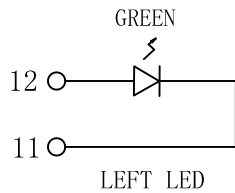
## Electrical Specifications @25°C

- Turns Ratio:  
TX=1CT:1CT                      RX=1CT:1CT
- Inductance: 350uH Min  
@100KHz, 100mV, 8mA DC Bias Current.
- Insertion Loss:  
0.1~100MHz:-1.0dB Max
- Return Loss (dB Min):  
1~30MHz:-18                      40MHz:-16  
50MHz:-14                      60~80MHz:-12
- Crosstalk (dB Min):  
30MHz:-45                      60MHz:-40  
100MHz:-35
- CMR: (dB Min):  
30MHz:-35                      60MHz:-30  
100MHz:-25
- Hipot: 1500Vrms
- Operating Temperature: 0°C~70°C.

PC BOARD CONNECTIONS



RJ45 CONNECTOR

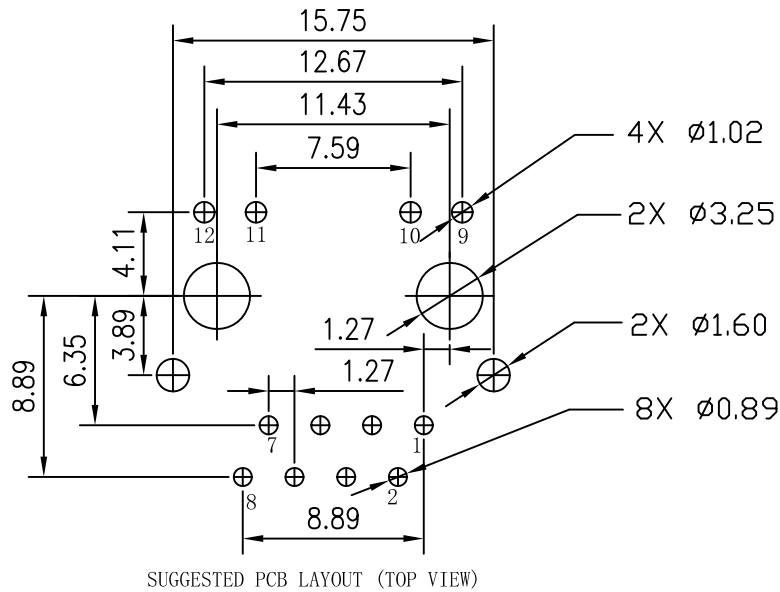
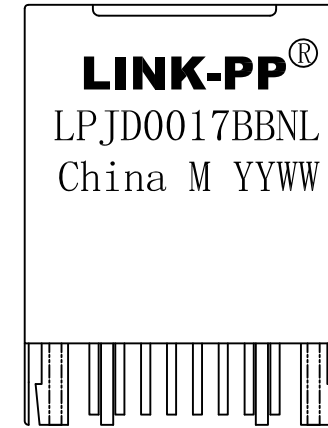
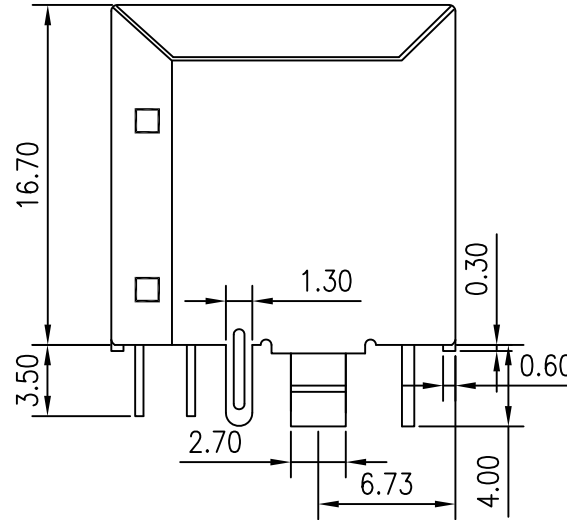
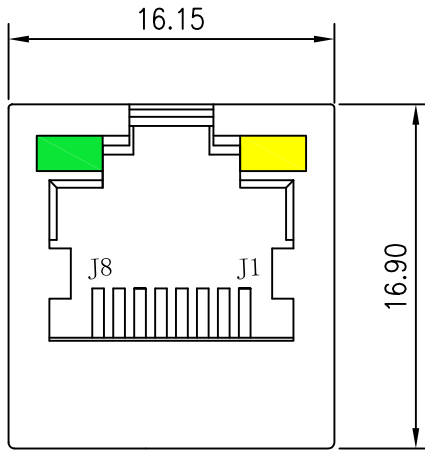


Emitting Color	$\lambda$ p(nm)	V <sub>F</sub> @I <sub>F</sub> =20mA	I <sub>R</sub> @V <sub>R</sub> =5V
GREEN	565	1.8~2.6V	10 $\mu$ A max
YELLOW	585	1.8~2.6V	10 $\mu$ A max

X:X	$\pm 0.30$	APPD:	LINK-PP INT'L TECHNOLOGY CO., LIMITED
X:XX	$\pm 0.25$	CHKD:	
X:XXX	$\pm 0.05$	DR: TOM	TITLE: Vertical RJ45 Connector With 10/100 Magnetic
ANGLES	$\pm 1^\circ$	UNIT: Inches/mm	PART NO.: LPJD0017BBNL
	SCALE: 2/1	SHEET: 1/2	REV: A      DWG NO.: LP14022735

# Mechanical:

REV.	ECN NO.	DESCRIPTION	DATE	APPD
A	REL		2014/02/27	



### NOTES:

1. Designed to support application, such as SOHO (ADSL modems), LAN-on-Motherboard (LOM), hub and Switches.
2. Meets IEEE 802.3 specification
3. Connector Materials:  
 Housing: Thermoplastic UL94V-0  
 Contact/Shield: Copper alloy  
 Shield plating: Nickel  
 Contact plating: Gold 6 micro-inches min. In contact area.
4. Wave solder tip temperature: 265°C Max, 5 Sec.
5. UL Certification: File Number E484635.

X:X	±0.30	APPD:	LINK-PP INT'L TECHNOLOGY CO., LIMITED
X:XX	±0.25	CHKD:	TITLE: Vertical RJ45 Connector With 10/100 Magnetic
X:XXX	±0.05	DR: TOM	PART NO.: LPJD0017BBNL
ANGLES	±1°	UNIT: Inches/mm	
	SCALE: 2/1	SHEET: 2/2	REV: A DWG NO.: LP14022735