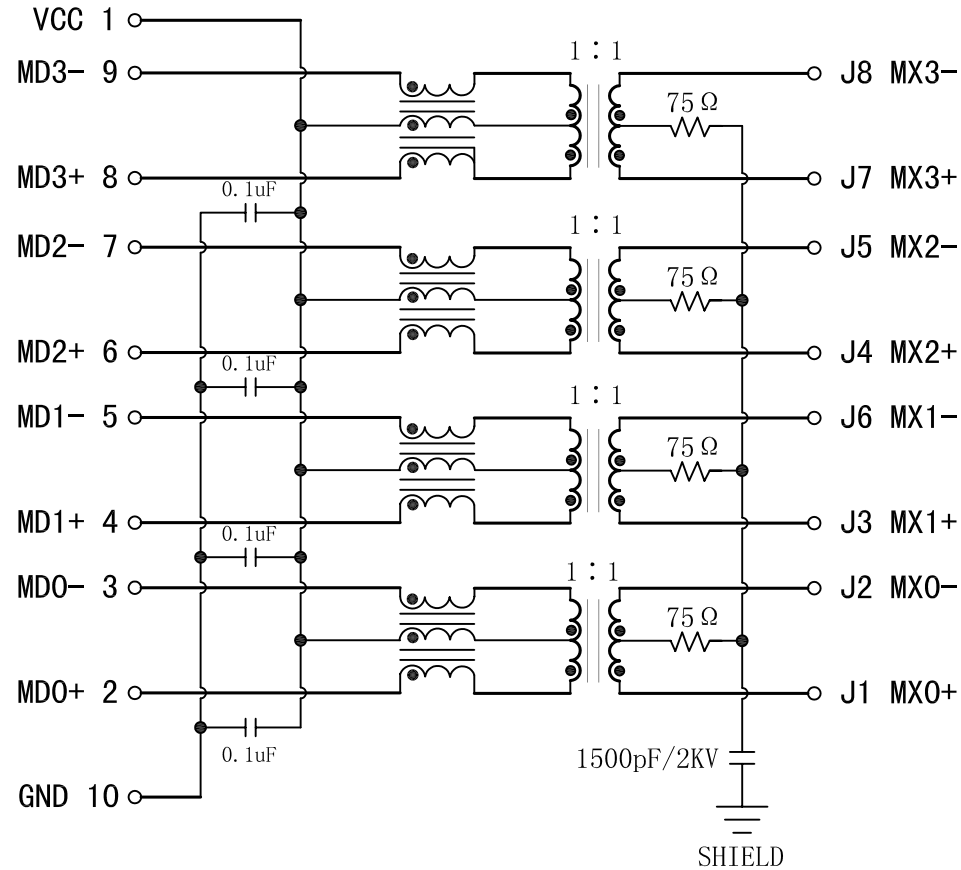


Schematic:

REV.	ECN NO.	DESCRIPTION	DATE	APPD
A	REL		2010/05/20	

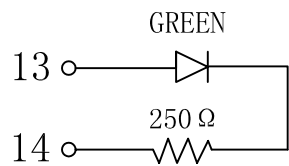
PCB CONNECTIONS



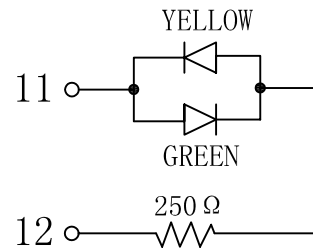
CABLE

Electrical Specifications @25°C

1. TURNS RATIOS:
TX=1 : 1 RX=1 : 1
2. LX(100KHz, 100mV, 8mA, DC Bias):
350uH MIN
3. HIPOT: 1500Vrms
4. INSERTION LOSS:
-1.0dB MAX @ 1MHz TO 100MHz
5. RETURN LOSS(@100 Ω):
-18dB MIN @ 1MHz TO 30MHz
-16dB MIN @ 30MHz TO 60MHz
-12dB MIN @ 60MHz TO 80MHz
6. CROSS TALK:
-40dB MIN @ 1MHz TO 10MHz
-35dB MIN @ 30MHz TO 60MHz
-30dB MIN @ 60MHz TO 100MHz
7. COMMON MODE REJECTION:
-30dB MIN @ 1MHz TO 50MHz
-20dB MIN @ 50MHz TO 150MHz
8. OPERATING TEMPERATURE: 0°C ~ +70°C.



LEFT LED



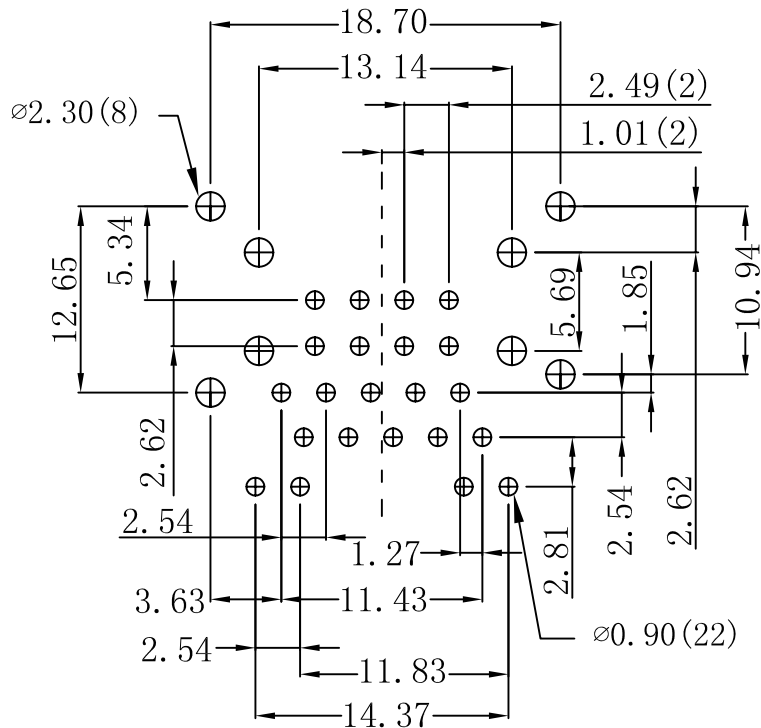
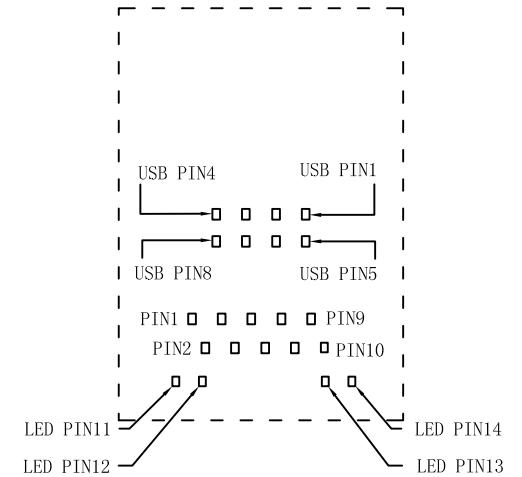
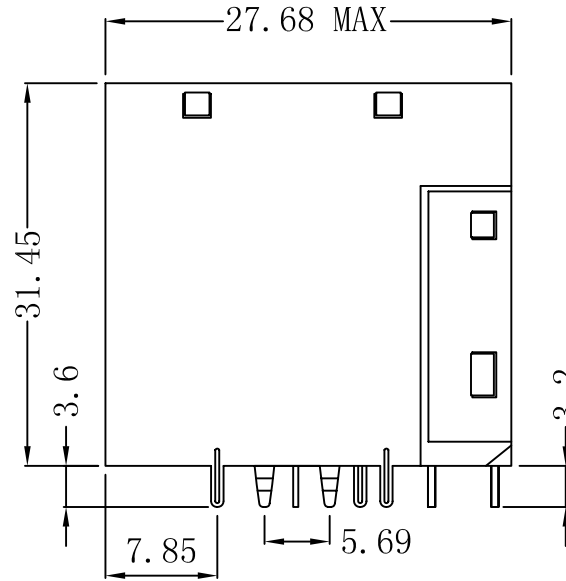
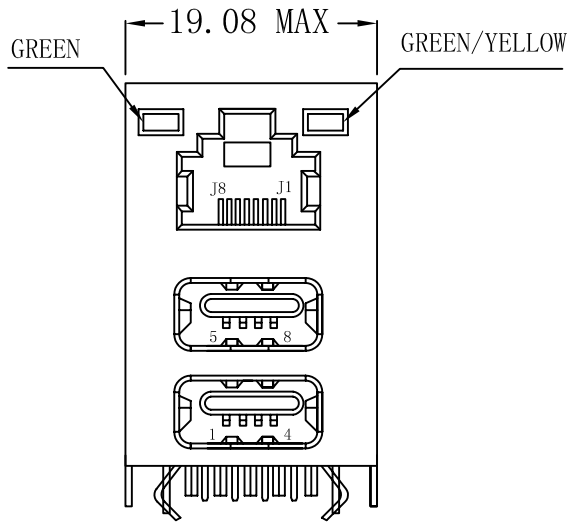
RIGHT LED



X:X	±0.30	APPD:	LINK-PP INT'L TECHNOLOGY CO., LIMITED	
X:XX	±0.20	CHKD:	TITLE: RJ45 10/100/1000BASE-TX JACK/ Dual USB Combo	
X:XXX	±0.10	DR: TOM	PART NO.: LPJU5303B50NL	
ANGLES	±1°	UNIT: mm		
	SCALE: 2/1	SHEET: 2/2	REV: A	DWG NO.: TRC10052009

Mechanical:

REV.	ECN NO.	DESCRIPTION	DATE	APPD
A	REL		2010/05/20	



SUGGESTED PCB LAYOUT (TOP VIEW)



NOTES:

1. Designed to support application, such as SOHO (ADSL modems), LAN-on-Motherboard (LOM), hub and Switches.
2. Meets IEEE 802.3 specification
3. Connector Materials:
 Housing: Thermoplastic UL94V-0
 Contact/Shield: Copper alloy
 Shield plating: Nickel
 RJ-45 Contact plating: Gold 6 micro-inches min. In contact area
 USB Contact plating: Gold Flash.
4. Wave peak temperature: 260°C, 5Sec.

X:X	±0.30	APPD:	LINK-PP INT'L TECHNOLOGY CO., LIMITED
X:XX	±0.20	CHKD:	
X:XXX	±0.10	DR: TOM	TITLE: RJ45 10/100/1000BASE-TX JACK/ Dual USB Combo
ANGLES	±1°	UNIT: mm	PART NO.: LPJU5303B50NL
	SCALE: 2/1	SHEET: 1/2	REV: A DWG NO.: TRC10052009