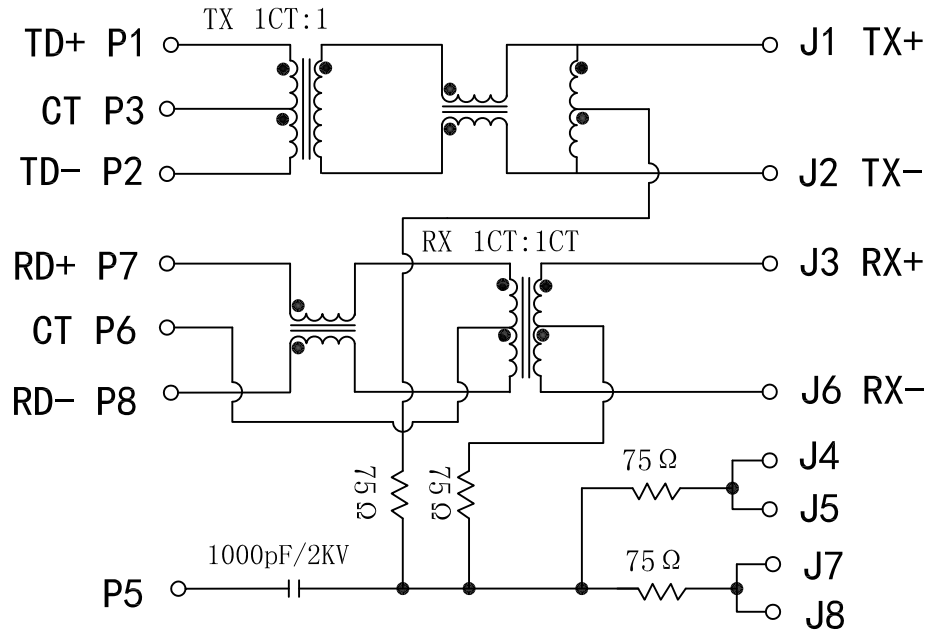


Schematic:

REV.	ECN NO.	DESCRIPTION	DATE	APPD
A	REL		2012/09/21	

PC BOARD CONNECTIONS

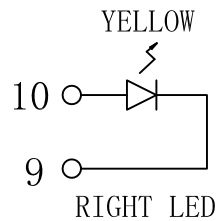
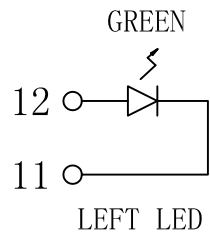


RJ45 CONNECTOR

Electrical Specification:

TEST NOTES (25±5°C)

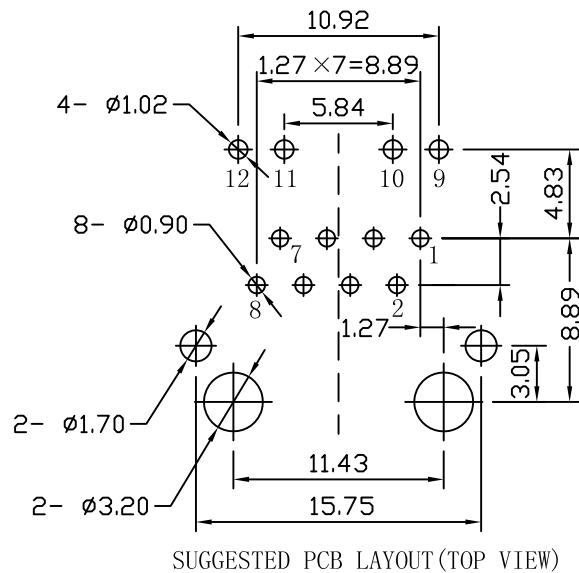
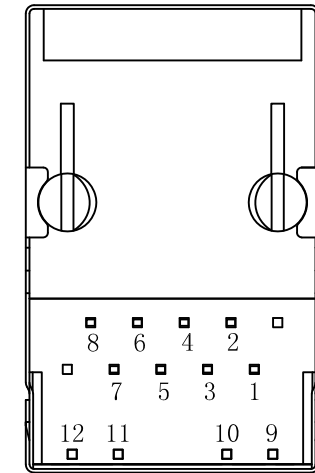
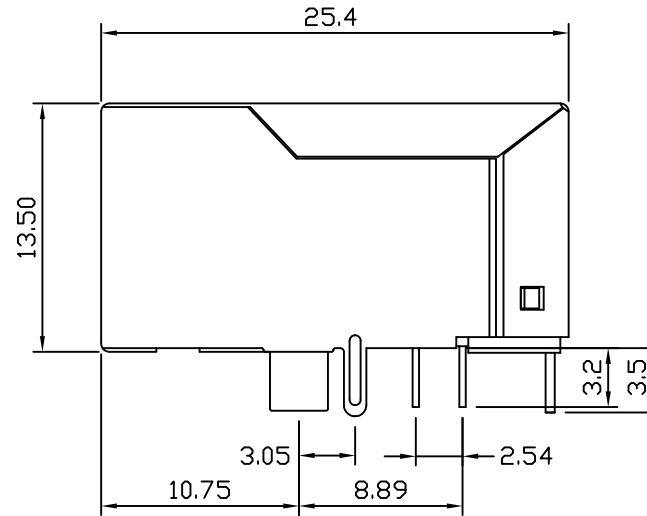
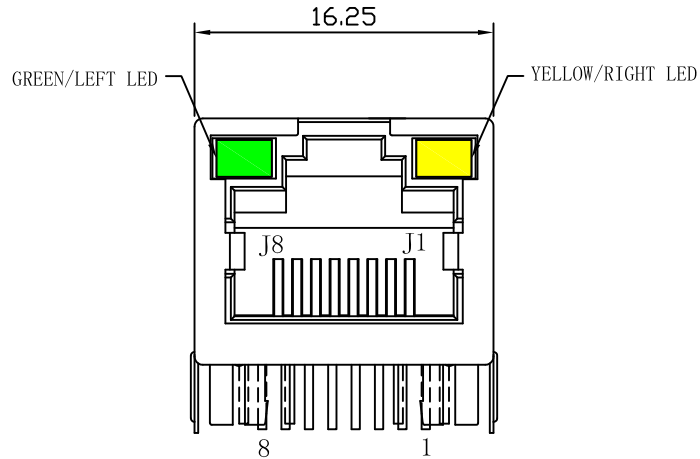
- TR: (100KHz, 100mV);  
TX=1CT : 1      RX=1CT : 1CT
- LX: (100KHz, 100mV, 8mA, DC Bias)  
PINS: (6, 3), (5, 8)=350uH MIN
- HIPOT:  
PINS(1, 2) TO (J1, J2)=1500VAC  
PINS(7, 8) TO (J3, J6)=1500VAC
- INSERTION LOSS:  
-1.1dB MAX @ 0.1MHz TO 80MHz
- RETURN LOSS:  
-18dB MIN @ 1MHz TO 30MHz  
-12dB MIN @ 30MHz TO 80MHz
- CROSS TALK:  
-40dB TYP @ 1MHz TO 100MHz
- COMMON TO MODE REJECTION ATTENUATION:  
-35dB TYP @ 30MHz TO 100MHz
- OPERATING TEMPERATURE: 0°C ~70°C.



X:X ±0.25	APPD:	LINK-PP INT'L TECHNOLOGY CO., LIMITED
X:XX ±0.20	CHKD:	
X:XXX ±0.05	DR: TOM	TITLE: RJ45 Connector with 10/100 Base-T Integrated Magnetics
ANGLES ±1°	UNIT: mm	PART NO.: LPJ1202BHNL
	SCALE: 2/1	SHEET: 1/2
	REV: A	DWG NO.: LP12092112

# Mechanical:

REV.	ECN NO.	DESCRIPTION	DATE	APPD
A	REL		2012/09/21	



## NOTES:

1. Designed to support application, such as SOHO (ADSL modems), LAN-on-Motherboard (LOM), hub and Switches.
2. Meets IEEE 802.3 specification
3. Connector Materials:  
 Housing: Thermoplastic UL94V-0  
 Contact/Shield: Copper alloy  
 Shield plating: Nickel  
 Contact plating: Gold 6 micro-inches min. In contact area.
4. Wave solder tip temperature: 260°C  
 Wave solder tip temperature time: 5 Sec Max

X:X	$\pm 0.25$	APPD:	LINK-PP INT'L TECHNOLOGY CO., LIMITED	
X:XX	$\pm 0.20$	CHKD:	TITLE: RJ45 Connector with 10/100 Base-T Integrated Magnetics	
X:XXX	$\pm 0.05$	DR: TOM		
ANGLES	$\pm 1^\circ$	UNIT: mm	PART NO.: LPJ1202BHNL	
	SCALE: 2/1	SHEET: 2/2	REV: A	DWG NO.: LP12092112