

Schematic:

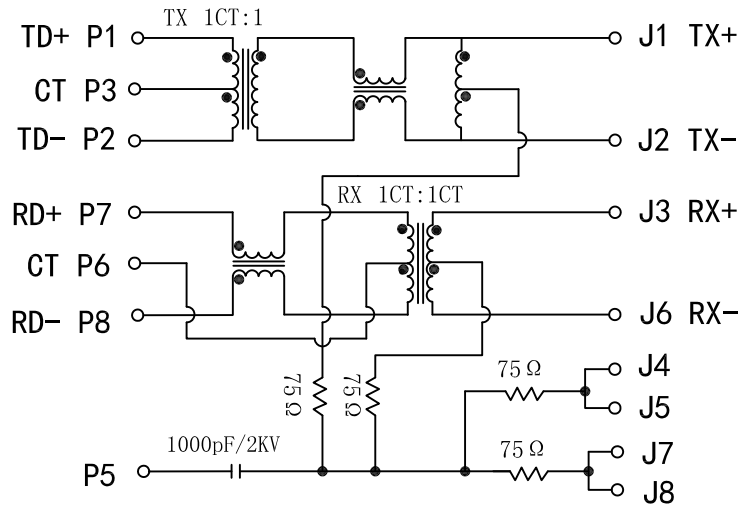
REV.	ECN NO.	DESCRIPTION	DATE	APPD
A	REL		2014-10-28	

ELECTRICAL SPECIFICATIONS @25°C

- TR: (100KHz, 100mV) ;
TX=1CT : 1 RX=1CT : 1CT
- LX: (@100KHz, 100mV, 8mA, DC Bias)
(J1-J2), (J3-J6)= 350uH MIN
- HIPOT:
PINS (1, 2) TO (J1, J2)=1500VAC
PINS (7, 8) TO (J3, J6)=1500VAC
- INSERTION LOSS:
-1.1dB MAX @ 0.1MHz TO 80MHz
- RETURN LOSS:
-18dB MIN @ 1MHz TO 30MHz
-12dB MIN @ 30MHz TO 80MHz
- CROSS TALK:
-40dB TYP @ 1MHz TO 100MHz
- COMMON TO MODE REJECTION ATTENUATION:
-35dB TYP @ 30MHz TO 100MHz
- OPERATING TEMPERATURE: 0°C ~ 70°C.

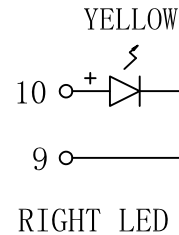
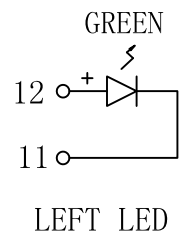


PC BOARD CONNECTIONS



RJ45 CONNECTOR

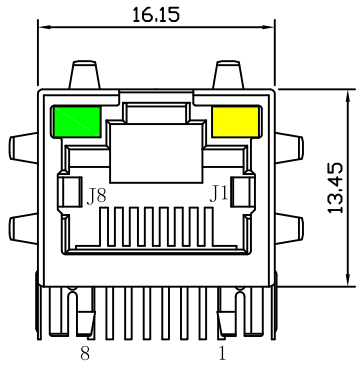
Emitting Color	λ p(nm)	VF@IF=20mA	IR @VR=5V
Green	570	1.8~2.6V	10 μ A max
Yellow	590	1.8~2.6V	10 μ A max



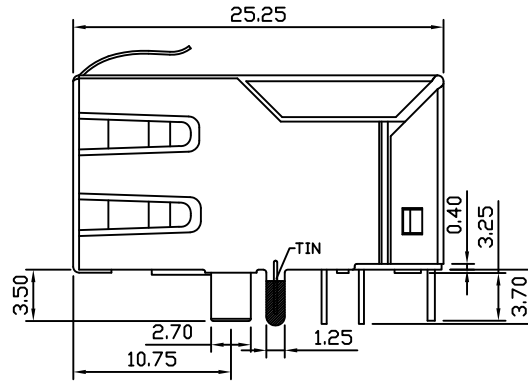
X:X	± 0.30	APPD:	LINK-PP INT'L TECHNOLOGY CO., LIMITED	
X:XX	± 0.25	CHKD:	TITLE: RJ45 Connector with 10/100 Base-T Integrated Magnetics	
X:XXX	± 0.05	DR: TOM		
ANGLES	$\pm 1^\circ$	UNIT: mm	PART NO. : LPJ1202AHNL	
	SCALE: 2/1	SHEET: 2/2	REV: A	DWG NO. : LP14102802

Mechanical:

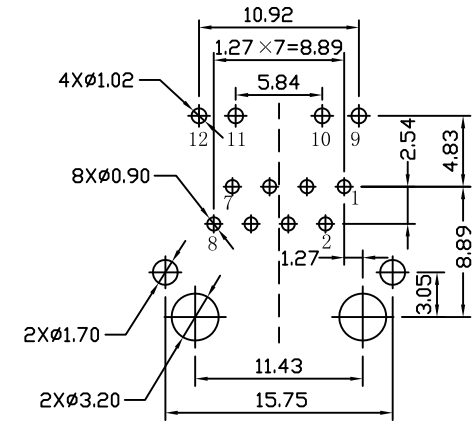
REV.	ECN NO.	DESCRIPTION	DATE	APPD
A	REL		2014-10-28	



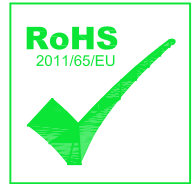
Front Side View



Left Side View



Suggested PCB Layout (Top View)



NOTES:

1. Meets IEEE 802.3 specification
2. Connector Materials:

Housing Material: Thermoplastic PBT+30%G.F UL94V-0

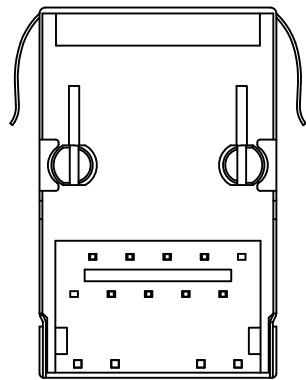
Contact Material: Phosphor Bronze C5210R-EH Thickness=0.35mm

Pins: Brass C2680R-H Thickness=0.35mm

Shield: SUS S304-1/2H Thickness=0.2mm

Contact plating: Gold 6 micro-inches min. In contact area.

3. Wave solder tip temperature: 265°C Max, 5 Sec Max



Bottom Side View



Top Side View

X:X ±0.30	APPD:	LINK-PP INT'L TECHNOLOGY CO., LIMITED
X:XX ±0.25	CHKD:	
X:XXX ±0.05	DR: TOM	TITLE: RJ45 Connector with 10/100 Base-T Integrated Magnetics
ANGLES ±1°	UNIT: mm	PART NO.: LPJ1202AHNL
	SCALE: 2/1	SHEET: 2/2
	REV: A	DWG NO.: LP14102802