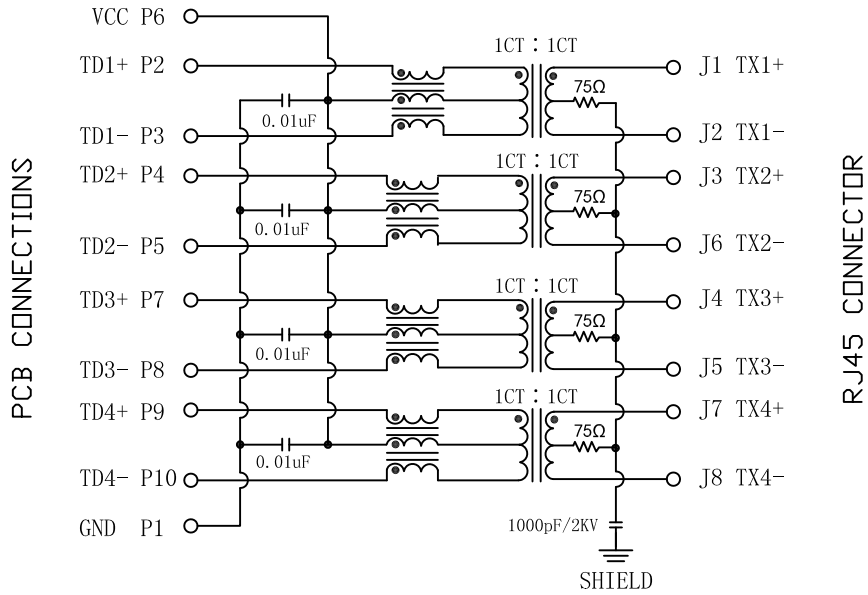


# Schematic:

REV.	ECN NO.	DESCRIPTION	DATE	APPD
A	REL		2010-07-02	

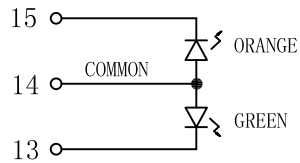


## ELECTRICAL SPECIFICATIONS @25°C

- Turn Ratio: 1CT : 1CT
- Inductance OCL: 350uH MIN @100KHz 100mV 8mA DC Bias
- Insertion Loss: -1.2dB MAX @0.1-125MHz
- Return Loss: -16dB MIN @0.5-40MHz  
-10+20log(f/80MHz)dB MIN @40-100MHz
- Cross talk: -35dB MIN @0.1-100MHz
- CM-CM Rejection: -30dB MIN @0.1-100MHz
- CM-DM Rejection: -35dB MIN @0.1-100MHz
- Hipot Test: 1500Vrms
- Operating Temperature Range: 0°C TO 70°C

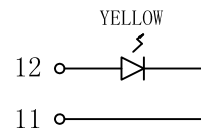
PCB CONNECTIONS

RJ45 CONNECTOR



LEFT LED

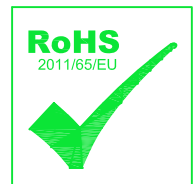
LED POLARITY			COLOR
PIN 13	PIN 14	PIN 15	
-	+	/	GREEN
/	+	-	ORANGE



RIGHT LED

LED POLARITY			COLOR
PIN 12	PIN 11		
+	-		YELLOW

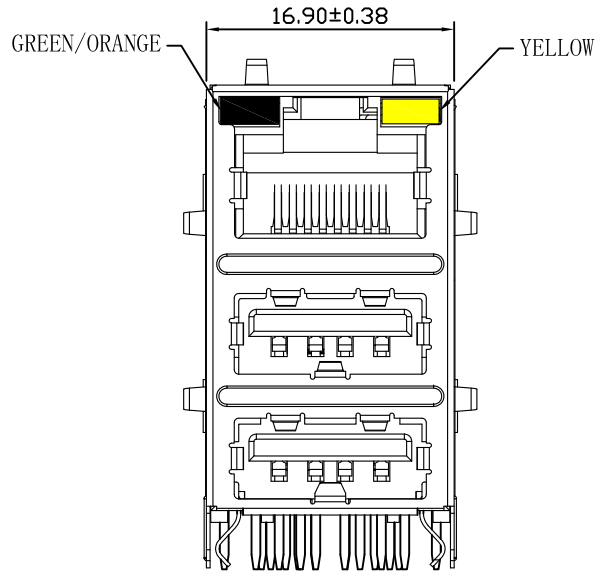
Emitting Color	$\lambda$ p(nm)	VF@IF=20mA	IR @VR=5V
Green/Orange	570/610	1.8~2.6V	10 $\mu$ A max
Yellow	585	1.8~2.6V	10 $\mu$ A max



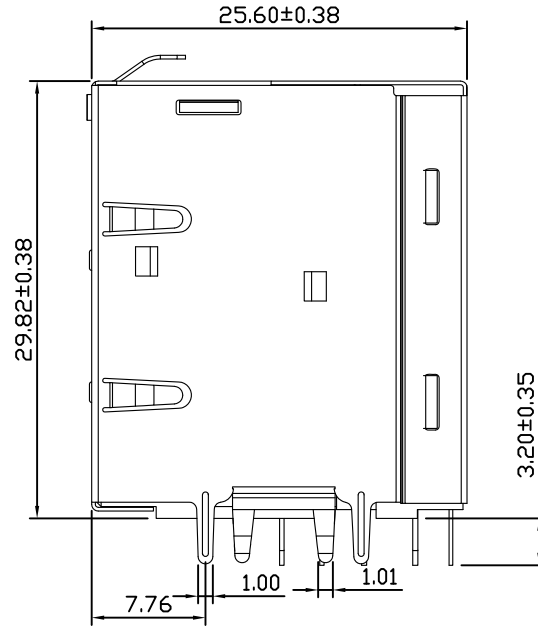
X:X ±0.30	APPD:	LINK-PP INT'L TECHNOLOGY CO., LIMITED		
X:XX ±0.25	CHKD:	TITLE: RJ45 Connector with 1000 Base-TX Jack/Dual USB Combo		
X:XXX ±0.05	DR: TOM	PART NO.: LPJU4266A64NL		
ANGLES ±1°	UNIT: mm			
	SCALE: 2/1	SHEET: 1/2	REV: A	DWG NO.: LP10070201

# Mechanical:

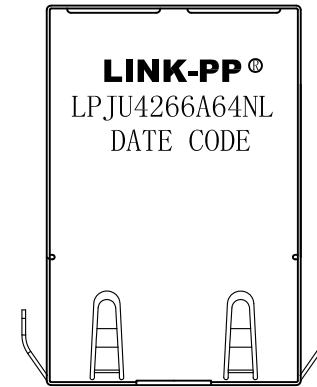
REV.	ECN NO.	DESCRIPTION	DATE	APPD
A	REL		2010-07-02	



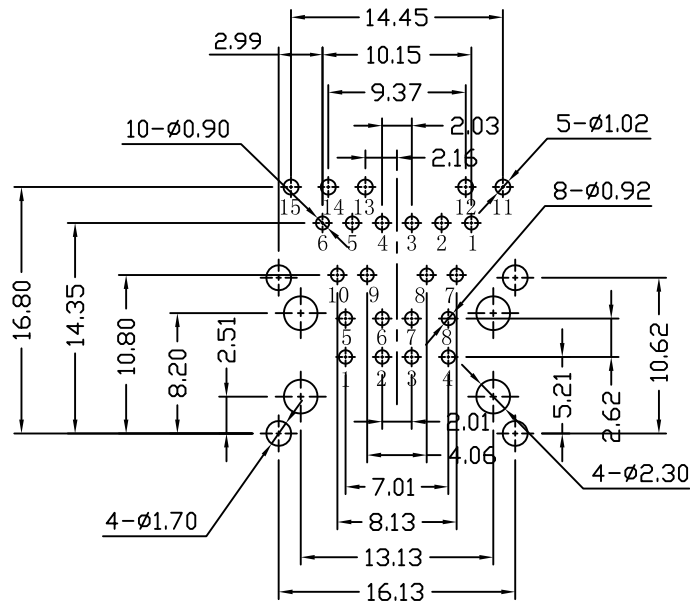
Front Side View



Left Side View



Top Side View



Suggested PCB Layout



## NOTES:

1. Designed to support application, such as SOHO (ADSL modems), LAN-on-Motherboard (LOM), hub and Switches.
2. Meets IEEE 802.3 specification
3. Connector Materials:  
Housing: Thermoplastic PBT+30%G.F UL94V-0  
Contact: Phosphor Bronze C5210R-EH Thickness=0.35mm  
Pins: Brass C2680R-H Thickness=0.35mm  
Shield: SUS 201-1/2H Thickness=0.2mm  
Contact plating: Gold 6 micro-inches min. In contact area.
4. Wave solder tip temperature: 265°C Max, 5 Sec Max.

X:X ±0.30	APPD:	LINK-PP INT'L TECHNOLOGY CO., LIMITED		
X:XX ±0.25	CHKD:	TITLE: RJ45 Connector with 1000 Base-TX Jack/Dual USB Combo		
X:XXX ±0.05	DR: TOM	PART NO.: LPJU4266A64NL		
ANGLES ±1°	UNIT: mm			
	SCALE: 2/1	SHEET: 2/2	REV: A	DWG NO.: LP10070201