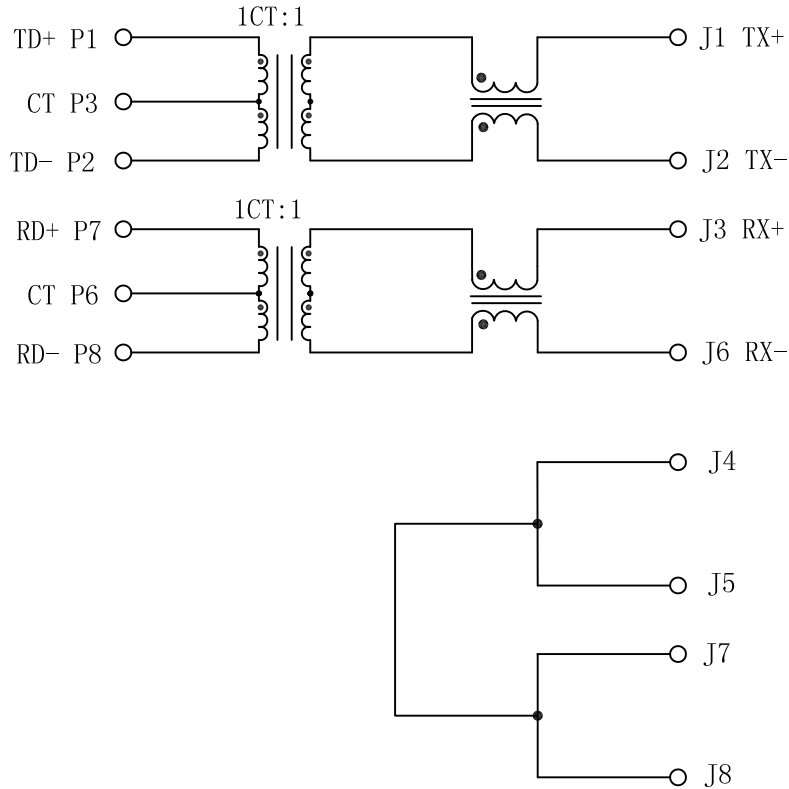


Schematic:

REV.	ECN NO.	DESCRIPTION	DATE	APPD
A	REL		2015-04-03	

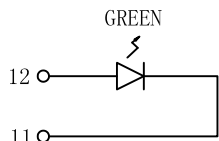
PC BOARD CONNECTIONS



RJ45 CONNECTOR

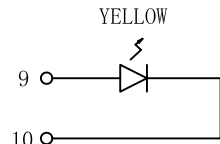
Electrical Specifications @25°C

- Turns Ratio:
TX=1CT:1 RX=1CT:1
- Inductance: 350uH Min
- Insertion Loss:
1-65MHz: -1.0dB Max
- Return Loss (dB Min):
1-10MHz: -20 10-30MHz: -16
30-60MHz: -12 60-100MHz: -10
- Crosstalk (dB Min):
1-30MHz: -40 30-60MHz: -35
60-100MHz: -30
- CMR (dB Min):
1-50MHz: -30 50-150MHz: -20
- Hipot: 1500Vrms @ 60Hz 1 MIN
- Operating Temperature: 0°C ~ 70°C.



LEFT LED

LED POLARITY		COLOR
PIN 12	PIN 11	
+	-	GREEN



RIGHT LED

LED POLARITY		COLOR
PIN 9	PIN 10	
+	-	YELLOW

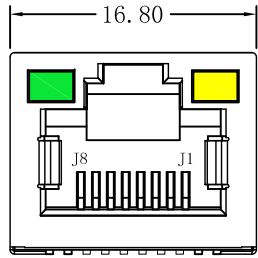


Emitting Color	λ_p (nm)	VF@IF=20mA	IR @VR=5V
GREEN	565	1.8~2.6V	10 μ A max
YELLOW	585	1.8~2.6V	10 μ A max

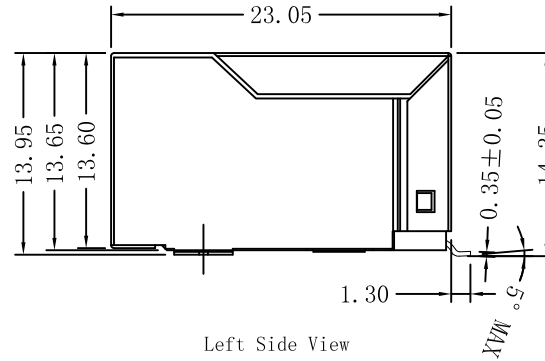
X:X	± 0.30	APPD:	LINK-PP INT'L TECHNOLOGY CO., LIMITED	
X:XX	± 0.25	CHKD:	TITLE: Surface Mount 1x1 Tab-Up Jack With 10/100 Magnetic	
X:XXX	± 0.05	DR: TOM	PART NO.: LPJ19202BBNL	
ANGLES	$\pm 1^\circ$	UNIT: mm	DWG NO.: LP15040323	
	SCALE: 2/1	SHEET: 1/2	REV: A	

Mechanical:

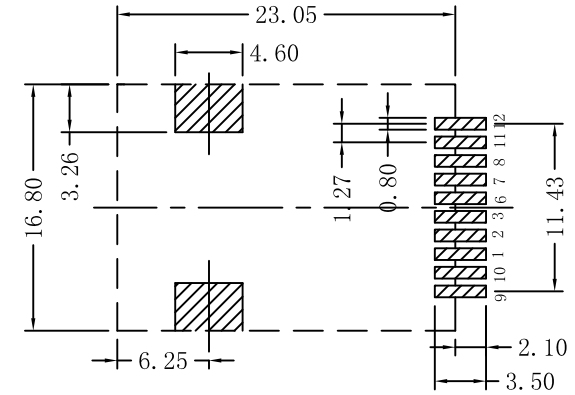
REV.	ECN NO.	DESCRIPTION	DATE	APPD
A	REL		2015-04-03	



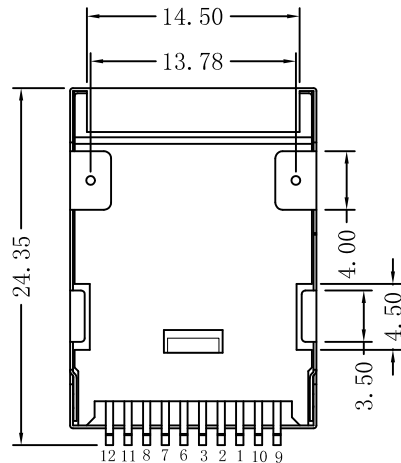
Front Side View



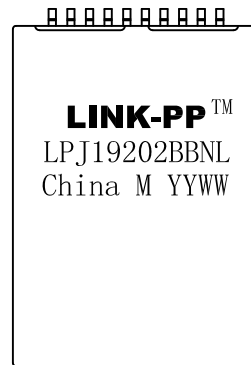
Left Side View



Suggested PCB Layout (Top View)



Bottom Side View



Top Side View



NOTES:

1. Designed to support application, such as SOHO (ADSL modems), LAN-on-Motherboard (LOM), hub and Switches.
2. Meets IEEE 802.3 specification
3. Connector Materials:
 Housing Material: Thermoplastic LCP+30%G.F UL94V-0
 Contact Material: Phosphor Bronze C5210R-EH Thickness=0.35mm
 Pins: Brass C2680R-H Thickness=0.35mm
 Shield: Copper alloy Brass H65Y Thickness=0.2mm
 Contact plating: Gold 6 micro-inches min. In contact area.
4. Wave solder tip temperature: 265°C Max, 5 Sec Max

X:X ±0.30	APPD:	LINK-PP INT'L TECHNOLOGY CO., LIMITED
X:XX ±0.25	CHKD:	
X:XXX ±0.05	DR: TOM	TITLE: Surface Mount 1×1 Tab-Up Jack With 10/100 Magnetic
ANGLES ±1°	UNIT: mm	PART NO.: LPJ19202BBNL
	SCALE: 2/1	SHEET: 2/2
	REV: A	DWG NO.: LP15040323