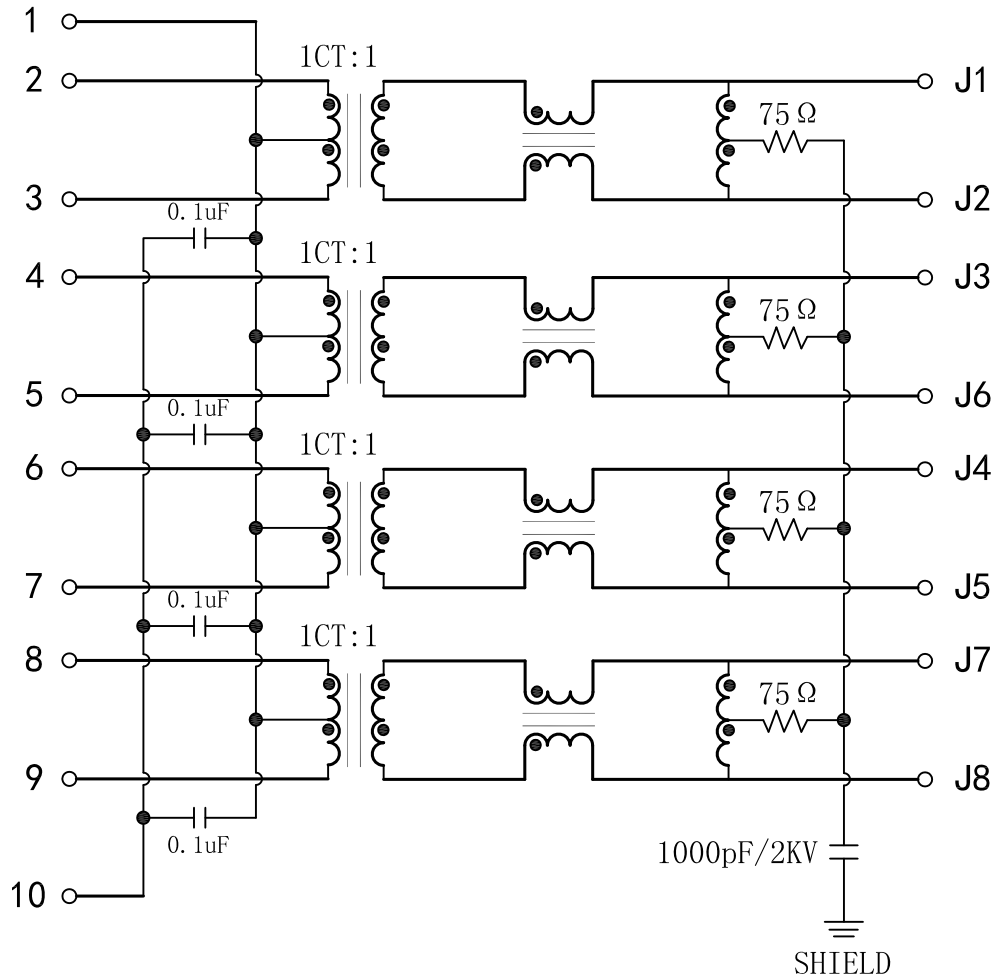


Schematic:

REV.	ECN NO.	DESCRIPTION	DATE	APPD
A	REL		2014-07-16	

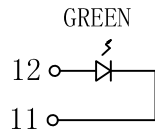
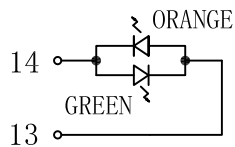
PC BOARD CONNECTIONS



RJ45 CONNECTOR

TEST NOTES (25 ± 5°C)

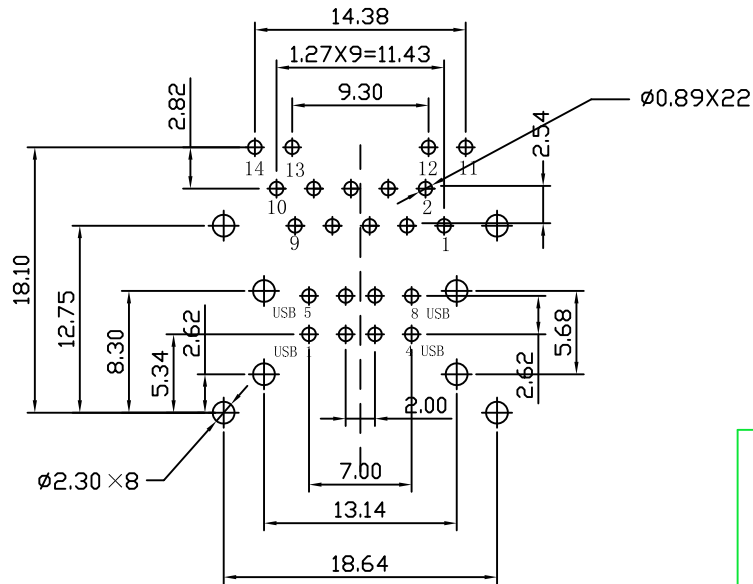
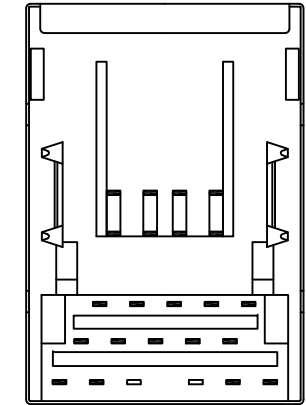
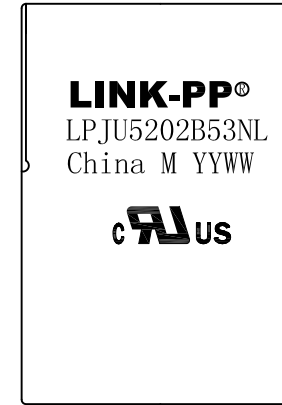
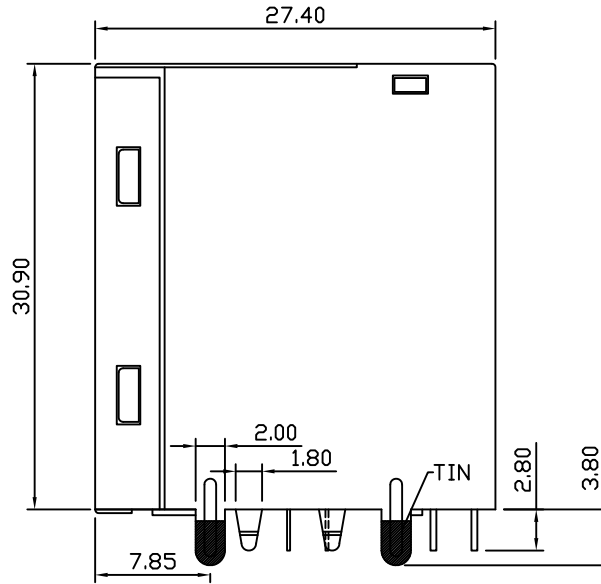
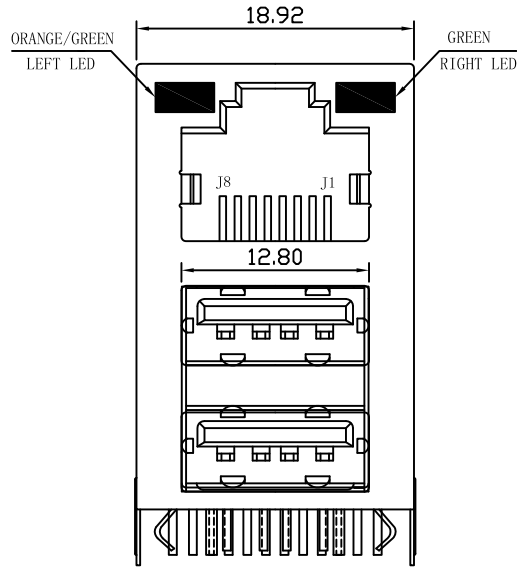
1. TR: (100KHz, 0.1V):
1CT:1 ±2%
2. LX (@100KHz, 100mV, 8mA, DC Bias):
350uH MIN
3. HIPOT: 1500VAC FOR 60 SECONDS
4. INSERTION LOSS:
-1.0dB MAX @ 1.0MHz TO 100MHz
5. RETURN LOSS:
-18dB MIN @ 1MHz TO 30MHz
-16dB MIN @ 30MHz TO 60MHz
-12dB MIN @ 60MHz TO 80MHz
6. CROSS TALK:
-40dB MIN @ 1MHz TO 10MHz
-35dB MIN @ 32MHz TO 60MHz
-30dB MIN @ 60MHz TO 100MHz
7. COMMON TO COMMON MODE REJECTION:
-30dB MIN @ 1MHz TO 50MHz
-20dB MIN @ 50MHz TO 150MHz
8. OPERATING TEMPERATURE: 0°C ~ 70°C.



X:X ±0.25	APPD:	LINK-PP INT'L TECHNOLOGY CO., LIMITED
X:XX ±0.20	CHKD:	
X:XXX ±0.05	DR: TOM	TITLE: RJ45 Connector with 100/1000 Base-TX Jack/Dual USB Combo
ANGLES ±1°	UNIT: mm	PART NO.: LPJU5202B53NL
	SCALE: 2/1	SHEET: 1/2
	REV: A	DWG NO.: LP14071602

Mechanical:

REV.	ECN NO.	DESCRIPTION	DATE	APPD
A	REL		2014-07-16	



NOTES:

1. Meets IEEE 802.3 specification
2. Connector Materials:
 Housing Material: Thermoplastic PBT+30%G.F UL94V-0
 Contact Material: Phosphor Bronze C5210R-EH Thickness=0.35mm
 Pins: Brass C2680R-H Thickness=0.25mm
 Shield: SUS S304-1/2H Thickness=0.2mm
 Contact plating: Gold 6 micro-inches min. In contact area.
3. Wave solder tip temperature: 265°C Max, 5 Sec Max

X:X ±0.25	APPD:	LINK-PP INT'L TECHNOLOGY CO., LIMITED		
X:XX ±0.20	CHKD:	TITLE: RJ45 Connector with 100/1000 Base-TX Jack/Dual USB Combo		
X:XXX ±0.05	DR: TOM	PART NO.: LPJU5202B53NL		
ANGLES ±1°	UNIT: mm			
	SCALE: 2/1	SHEET: 2/2	REV: A	DWG NO.: LP14071602