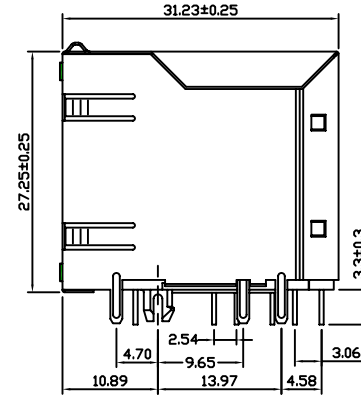
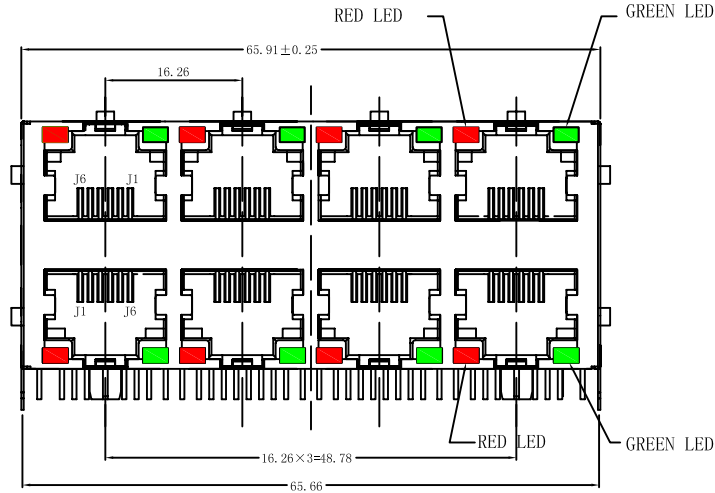


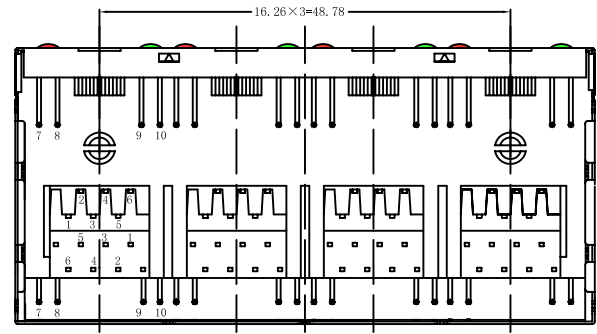
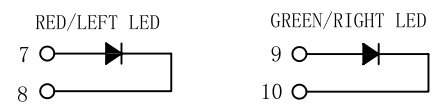
Mechanical:

REV.	ECN NO.	DESCRIPTION	DATE	APPD
A	REL		2011/07/23	



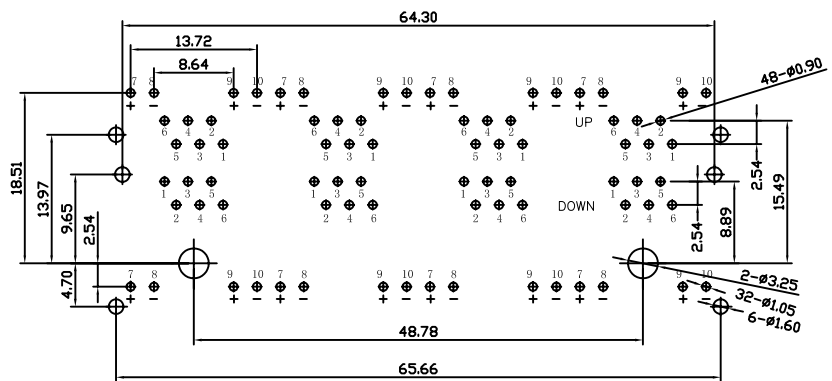
LPJE4721XA46NL

Gold Plating	"X"
1.5U"	1 <input type="checkbox"/>
3U"	2 <input type="checkbox"/>
6U"	3 <input type="checkbox"/>
15U"	4 <input type="checkbox"/>
30U"	5 <input type="checkbox"/>
50U"	6 <input type="checkbox"/>



NOTES:

- MACHANICAL:**
- HOUSING MATERIAL : GLASS FILLED POLYESTER OR HIGH TEMP. UL94V-0.
 - CONTACT MATERIAL : PHOSPHOR BRONZE t=0.35mm.
 - PLATING : CONTACT AREA-SELECTIVE GOLD PLATING. TAILS-PLATED TIN OVER NICKEL.
 - OPERATING LIFE : 750 CYCLES MIN
 - PCB RETENTION PRE-SOLDER : 1 LB MIN
 - PCB RETENTION POST-SOLDER : 10 LBS MIM
 - LED SIZE : 3.2*2.0*4.0*P=2.29mm
- ELECTRICAL:**
- VOLTAGE RATING : 125VAC RMS.
 - CURRENT RATING : 1.5AMP.
 - CONTACT RESISTANCE : 50 MILLIOHMS MAX.
 - INSULATION RESISTANCE : 500M Ω MIN @ 500V DC.
 - DIELECTRIC STRENGTH : 1000V AC RMS 60Hz. 1MIN.
- ENVIRONMENTAL:**
- STORAGE : -40°C ~ +85°C.
 - OPERATION : -40°C ~ +85°C.
- MATES WITH MODULAR PLUG CONFORMING TO FCC PART 68, SUBPART F.



SUGGESTED PCB LAYOUT (TOP VIEW)

X:X ±0.20	APPD:	LINK-PP INT'L TECHNOLOGY CO., LIMITED
X:XX ±0.10	CHKD:	
X:XXX ±0.05	DR: TOM	TITLE: RJ11 2×4 STACKED LED JACK
ANGLES ±1°	UNIT: mm	PART NO.: LPJE4721XA46NL
	SCALE: 2/1	SHEET: 1/1
	REV: A	DWG NO.: LP11072303