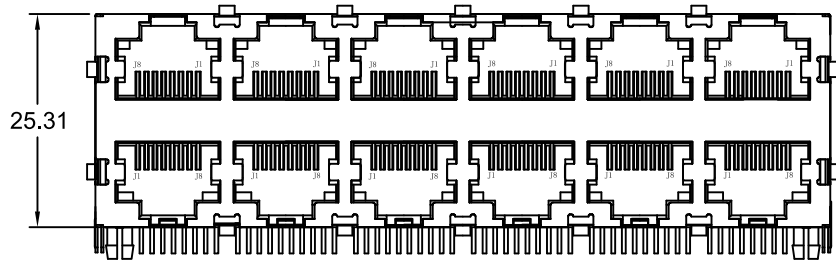
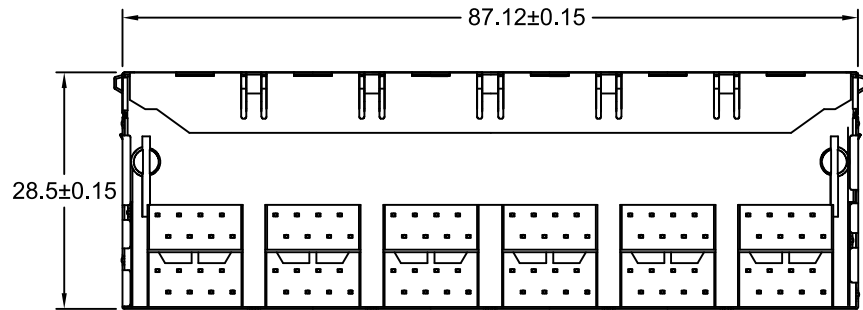


# Mechanical:

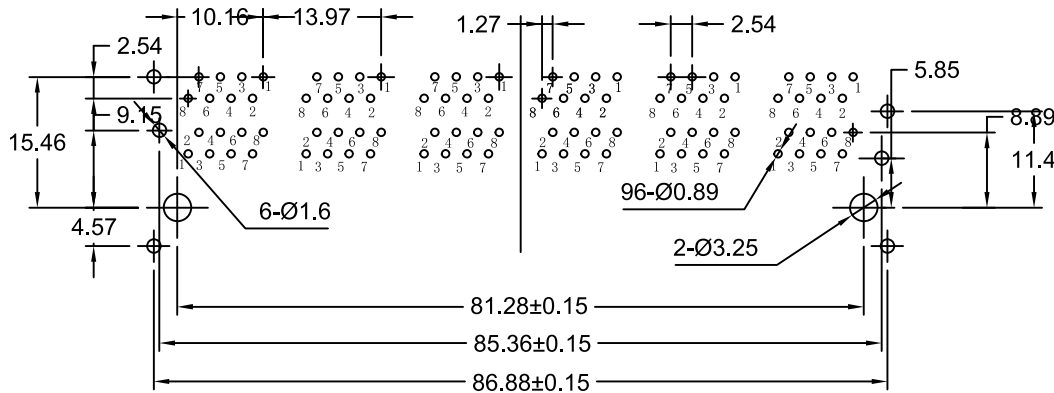
REV.	ECN NO.	DESCRIPTION	DATE	APPD
A	REL		10/09/2011	



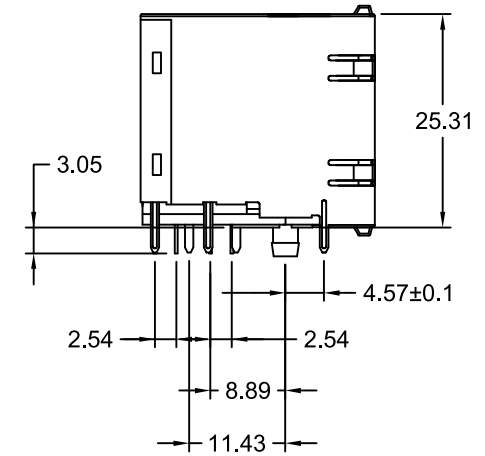
Front Side View



Bottom Side View



Suggested PCB Layout (Top View)



Left Side View

### MACHANICAL:

- |                              |  |
|------------------------------|--|
| 1. HOUSING MATERIAL          | : GLASS FILLED POLYESTER OR HIGH TEMP. UL94V-0.                                  |
| 2. CONTACT MATERIAL          | : PHOSPHOR BRONZE t=0.35mm.  |
| 3. PLATING                   | : CONTACT AREA-SELECTIVE FLEXIBLE GOLD PLATING.<br>TAILS-PLATED TIN OVER NICKEL. |
| 4. OPERATING LIFE            | : 750 CYCLES MIN   |
| 5. PCB RETENTION PRE-SOLDER  | : 1 LB MIN   |
| 6. PCB RETENTION POST-SOLDER | : 10 LBS MIM   |

### ELECTRICAL:

- |                          |                              |
|--------------------------|------------------------------|
| 1. VOLTAGE RATING        | : 125VAC RMS.                |
| 2. CURRENT RATING        | : 1.5AMP.                    |
| 3. CONTACT RESISTANCE    | : 50 MILLIOHMS MAX.          |
| 4. INSULATION RESISTANCE | : 1000MEGOHMS MIN @ 500V DC. |
| 5. DIELECTRIC STRENGTH   | : 1500VAC RMS 60Hz. 1MIN.    |

### ENVIRONMENTAL:

- |              |                |
|--------------|----------------|
| 1. STORAGE   | : -40°C +85°C. |
| 2. OPERATION | : -40°C +85°C. |

MATES WITH MODULAR PLUG CONFORMING TO FCC PART 68, SUBPART F.  
UL CERTIFICATION: FILE NUMBBE E484635

X:X ± 0.20	APPD: Jim Han	LINK-PP INT'L TECHNOLOGY CO., LIMITED		
X:XX ± 0.10	CHKD: Frank Yuan			
X:XXX ± 0.05	DR: Steven Luo	TITLE: Stacked 2x6 ModJack Shielded 8P8C Cat5, 5e Application		
ANGLES ± 1°	UNIT: mm	PART NO.: LPJE309XCNL		
	SCALE: 1/1	SHEET: 1/1	REV: A	DWG NO.: LP12036269