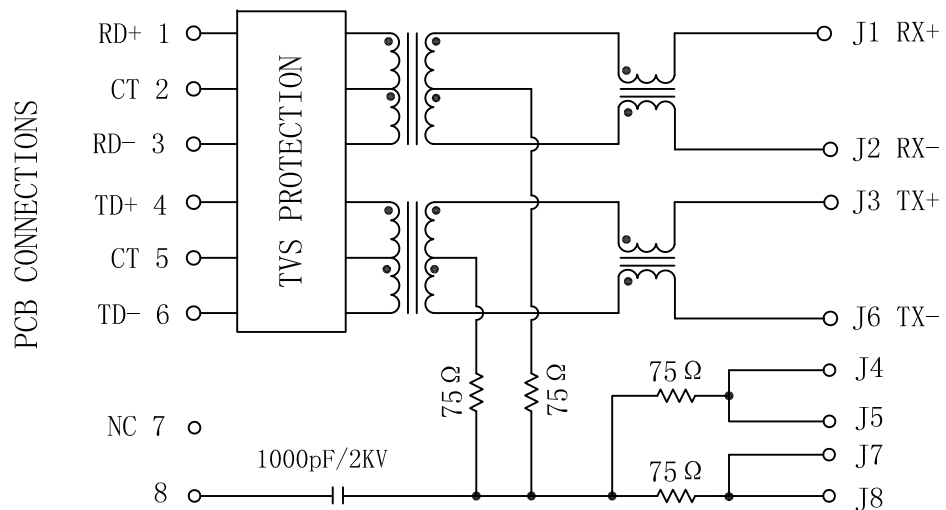


# Schematic:

REV.	ECN NO.	DESCRIPTION	DATE	APPD
A	REL		2011/02/19	

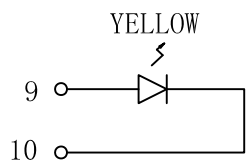


PCB CONNECTIONS

RJ45 CONNECTOR

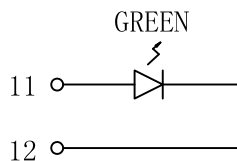
Electrical Specification @25°C

- Turns Ratio ( $\pm 3\%$ ) :  
TX=1CT:1CT      RX=1CT:1CT
- 0CL: 350uH Min  
@100KHz, 0.1V, 8mA DC Bias
- Insertion Loss:  
0.3~100MHz:-1.0dB Max
- Return Loss(dB Min) :  
30MHz:-18      80MHz:-12
- Hipot: 1500Vrms
- Operating Temperature: -40°C~+85°C.



LEFT LED

LED POLARITY		COLOR
PIN 9	PIN 10	
+	-	YELLOW



RIGHT LED

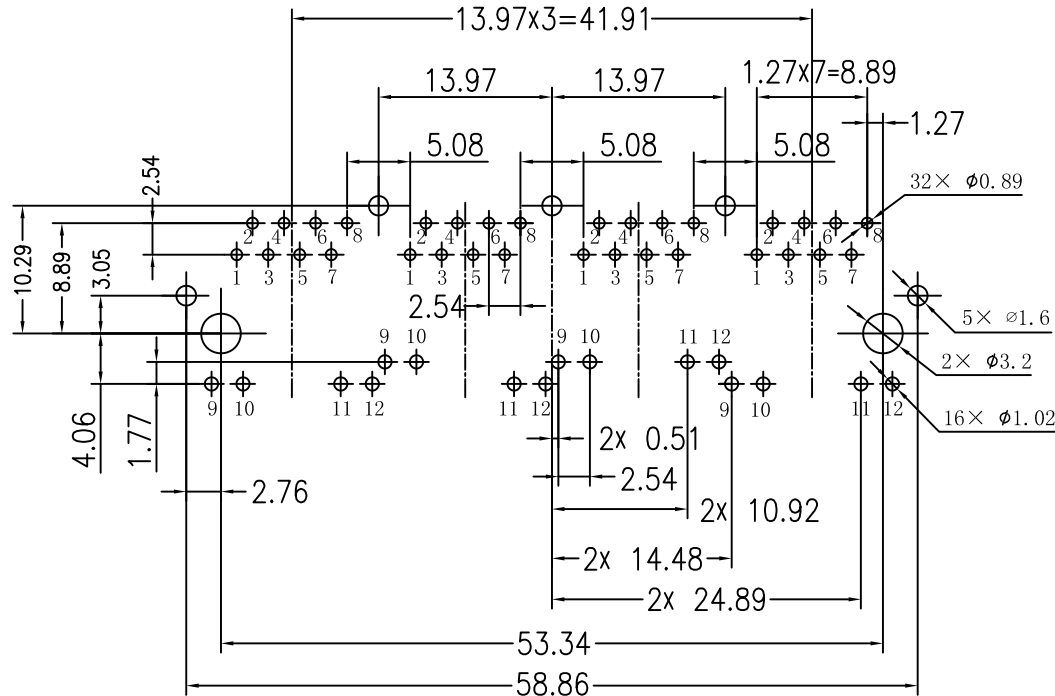
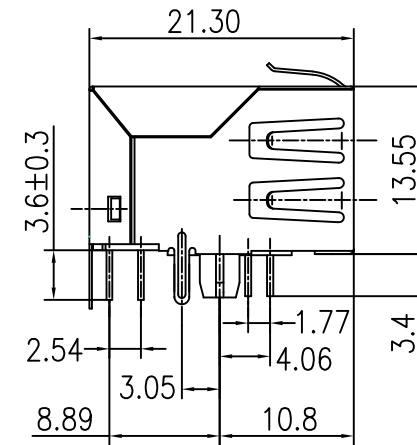
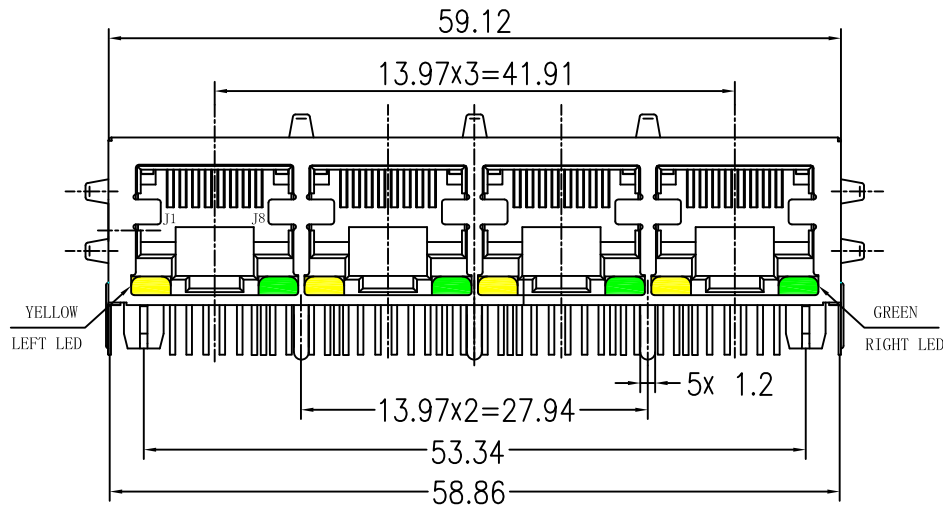
LED POLARITY		COLOR
PIN 11	PIN 12	
+	-	GREEN

Emitting Color	$\lambda$ p(nm)	VF@IF=20mA	IR@VR=5V
GREEN	565	1.8~2.6V	10 $\mu$ A max
YELLOW	585	1.8~2.6V	10 $\mu$ A max

X:X	$\pm 0.30$	APPD:	LINK-PP INT'L TECHNOLOGY CO., LIMITED
X:XX	$\pm 0.25$	CHKD:	
X:XXX	$\pm 0.05$	DR: TOM	TITLE: RJ45 Connector With 10/100 Base-TX Integrated Magnetic
ANGLES	$\pm 1^\circ$	UNIT: mm	PART NO.: LPJ46441ADNL
	SCALE: 2/1	SHEET: 1/2	REV: A      DWG: LP11021910

# Mechanical:

REV.	ECN NO.	DESCRIPTION	DATE	APPD
A	REL		2011/02/19	



SUGGESTED PCB LAYOUT (TOP VIEW)

## NOTES:

1. Designed to support application, such as SOHO (ADSL modems), LAN-on-Motherboard (LOM), hub and Switches.
2. Meets IEEE 802.3 specification
3. Connector Materials:  
 Housing: Thermoplastic UL94V-0  
 Contact/Shield: Copper alloy  
 Shield plating: Nickel  
 Contact plating: Gold 6 micro-inches min. In contact area.
4. Wave peak temperature: 260°C, 5Sec.



X:X	±0.30	APPD:	LINK-PP INT'L TECHNOLOGY CO., LIMITED	
X:XX	±0.25	CHKD:	TITLE: RJ45 Connector With 10/100 Base-TX Integrated Magnetic	
X:XXX	±0.05	DR: TOM	PART NO.: LPJ46441ADNL	
ANGLES	±1°	UNIT: mm		
	SCALE: 2/1	SHEET: 2/2	REV: A	DWG: LP11021910