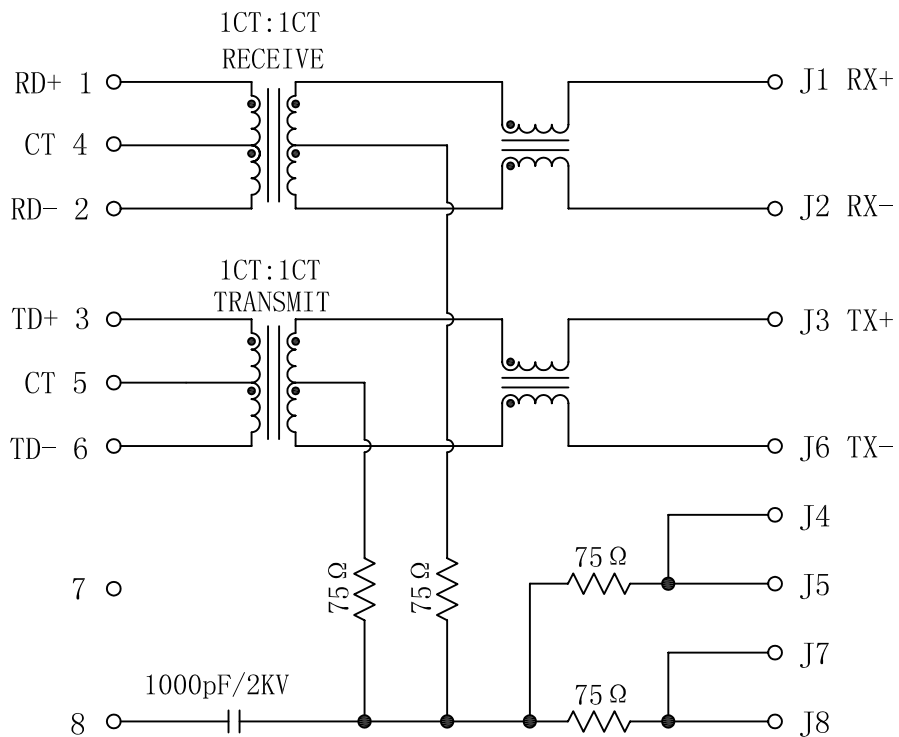


Schematic:

REV.	ECN NO.	DESCRIPTION	DATE	APPD
A	REL		21/03/2009	

PC BOARD CONNECTIONS



RJ45 CONNECTOR

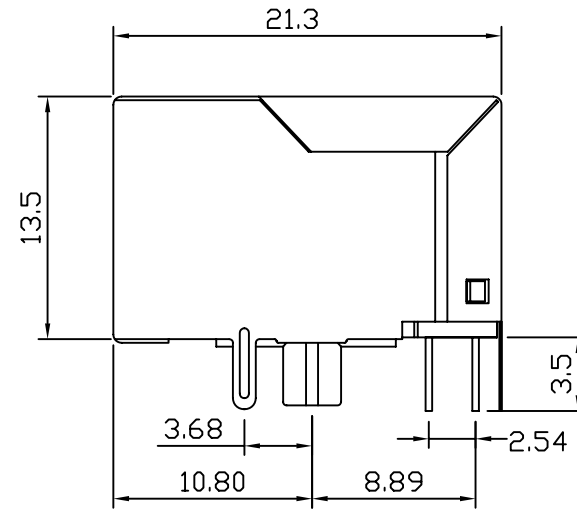
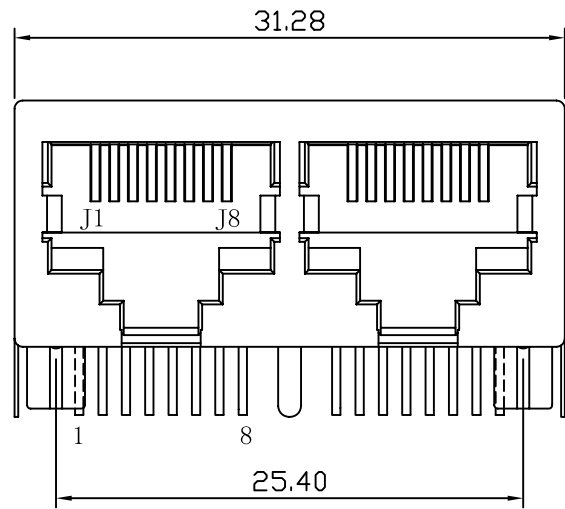
Electrical Specifications: @25°C

- Turns Ratio ($\pm 2\%$) :
TX=1CT:1CT RX=1CT:1CT
- Return Loss (dB Min):
1-10MHz: -18 30MHz: -16
60-100MHz: -12
- Crosstalk:
1-100MHz: -30dB Min
- Insertion Loss:
1-100MHz: -1.2dB Max
- CMR:
1-50MHz: -30dB Min
50-130MHz: -20dB Min
- OCL: 350uH Min
@100KHz, 100mVrms, 8mA bias current.
- Isolation Voltage: 1500Vrms
- Operating Temperature: -40°C - +85°C

X:X	± 0.25	APPD:	LINK-PP	
X:XX	± 0.20	CHKD:	LINK-PP INT'L TECHNOLOGY CO., LIMITED	
X:XXX	± 0.05	DR: TOM	TITLE: RJ45 Connector with 10/100 Base-T Integrated Magnetics	
ANGLES	$\pm 1^\circ$	UNIT: mm	PART NO.: LPJF26404DNL	
	SCALE: 2/1	SHEET: 1/2	REV: A	DWG NO.: TRC09032122

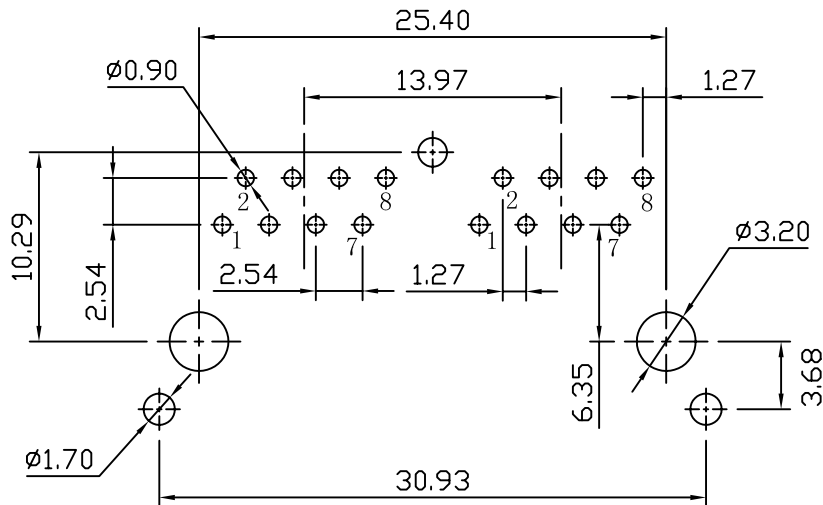
Mechanical:

REV.	ECN NO.	DESCRIPTION	DATE	APPD
A	REL		21/03/2009	



NOTES:

1. Designed to support application, such as SOHO (ADSL modems), LAN-on-Motherboard (LOM), hub and Switches.
2. Meets IEEE 802.3 specification
3. Connector Materials:
 Housing: Thermoplastic UL94V-0
 Contact/Shield: Copper alloy
 Shield plating: Nickel
 Contact plating: Gold 6 micro-inches min. In contact area.
4. Wave solder tip temperature: 265°C Max
 Wave solder tip temperature time: 5 Sec Max



SUGGESTED PCB LAYOUT (TOP VIEW)



X:X	±0.25	APPD:	LINK-PP	
X:XX	±0.20	CHKD:	LINK-PP INT'L TECHNOLOGY CO., LIMITED	
X:XXX	±0.05	DR: TOM	TITLE: RJ45 Connector with 10/100 Base-T Integrated Magnetics	
ANGLES	±1°	UNIT: mm	PART NO.: LPJF26404DNL	
	SCALE: 2/1	SHEET: 2/2	REV: A	DWG NO.: TRC09032122