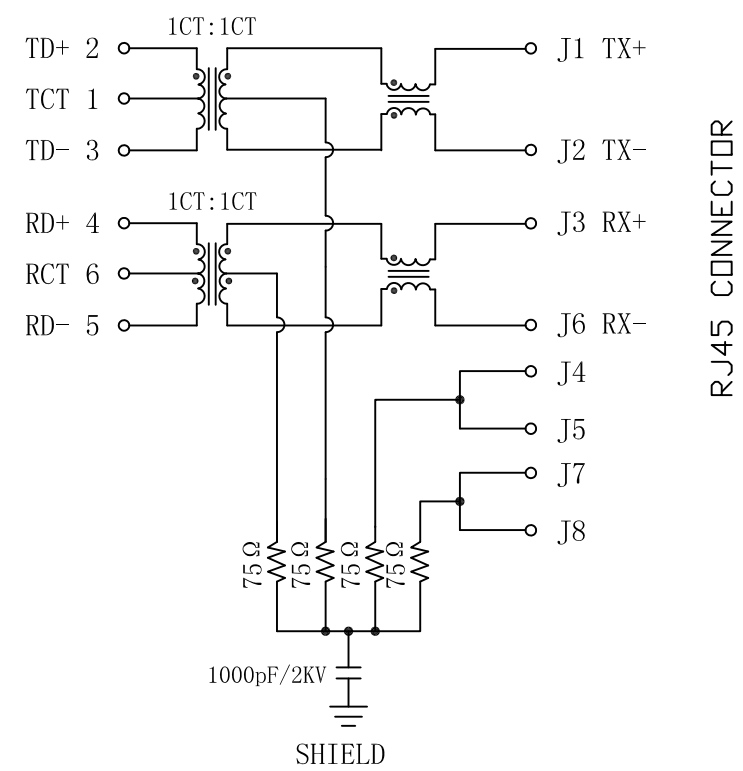


Schematic:

REV.	ECN NO.	DESCRIPTION	DATE	APPD
A	REL		2012/11/20	

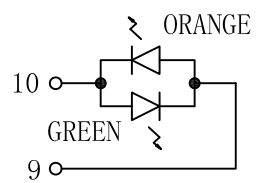
PCB CONNECTIONS



RJ45 CONNECTOR

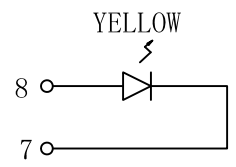
Electrical Specifications @25°C

1. OCL: 350uH MIN
@100KHz/100mVrms 8mA DC Bias
2. Turns Ratio:
TX=1CT:1CT RX=1CT:1CT
3. Insertion Loss:
1~100MHz:-1.0dB MAX
4. Return Loss(dB MIN. load 100Ω):
1~30MHz:-18
30~60MHz:-16
60~80MHz:-12
5. Crosstalk(TX - RX):
1~100MHz:-30dB MIN
6. Common Mode Rejection:
1~100MHz:-30dB MIN
7. Hipot: 1500Vrms/0.5mA/60Sec
8. Operating Temperature: 0°C~70°C.



LEFT LED

LED POLARITY		COLOR
PIN 10	PIN 9	
+	-	GREEN
-	+	ORANGE



RIGHT LED

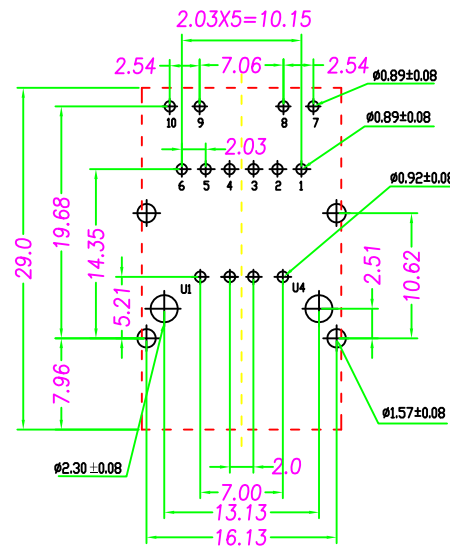
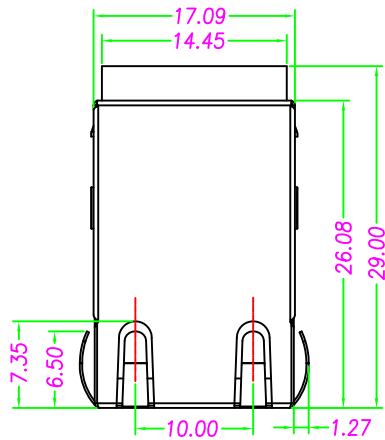
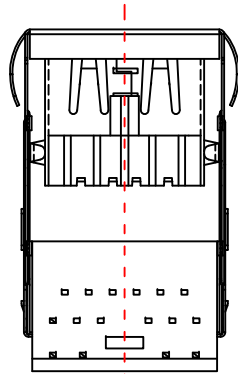
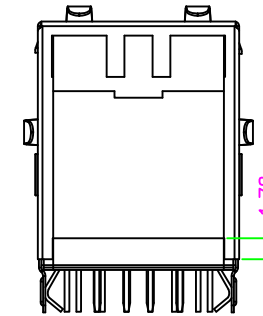
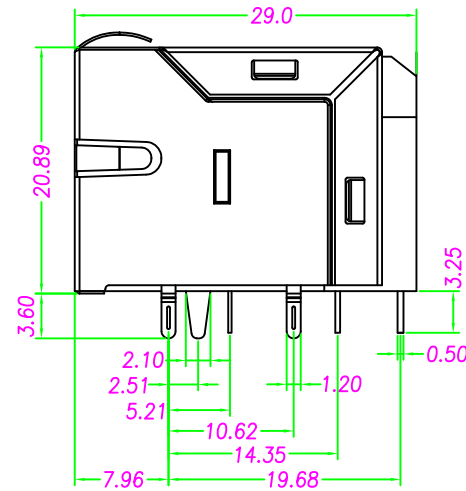
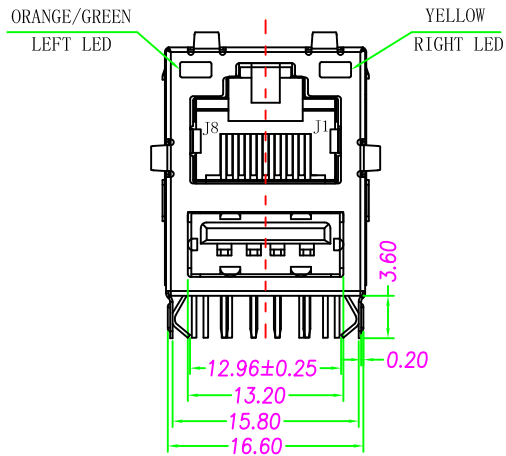
LED POLARITY		COLOR
PIN 8	PIN 7	
+	-	YELLOW

Emitting Color	λ p(nm)	VF@IF=20mA	IR @VR=5V
Orange/Green	610/570	1.8~2.6V	10 μ A max
Yellow	585	1.8~2.6V	10 μ A max

X:X	±0.30	APPD:	LINK-PP INT'L TECHNOLOGY CO., LIMITED
X:XX	±0.25	CHKD:	
X:XXX	±0.10	DR: TOM	
ANGLES	±1°	UNIT: mm	TITLE: RJ45/Single USB Jack With 10/100 Magnetics
			PART NO.: LPJU3101AONL
	SCALE: 2/1	SHEET: 2/2	REV: A DWG NO.: LP12112008

Mechanical :

REV.	ECN NO.	DESCRIPTION	DATE	APPD
A	REL		2012/11/20	



SUGGESTED PCB LAYOUT (TOP VIEW)

NOTES:

1. Designed to support application, such as SOHO (ADSL modems), LAN-on-Motherboard (LOM), hub and Switches.
2. Meets IEEE 802.3 specification
3. Connector Materials:
 Housing: Thermoplastic UL94V-0
 Contact/Shield: Copper alloy
 Shield plating: Nickel
 RJ-45 Contact plating: Gold 6 micro-inches min. In contact area
 USB Contact plating: Gold Flash
4. Wave solder tip temperature and time: 265°C MAX, 5 Sec MAX.

X:X	±0.30	APPD:	LINK-PP INT'L TECHNOLOGY CO., LIMITED	
X:XX	±0.25	CHKD:	TITLE: RJ45/Single USB Jack With 10/100 Magnetics	
X:XXX	±0.10	DR: TOM	PART NO.: LPJU3101AONL	
ANGLES	±1°	UNIT: mm		
SCALE: 2/1		SHEET: 2/2		REV: A
		DWG NO.: LP12112008		