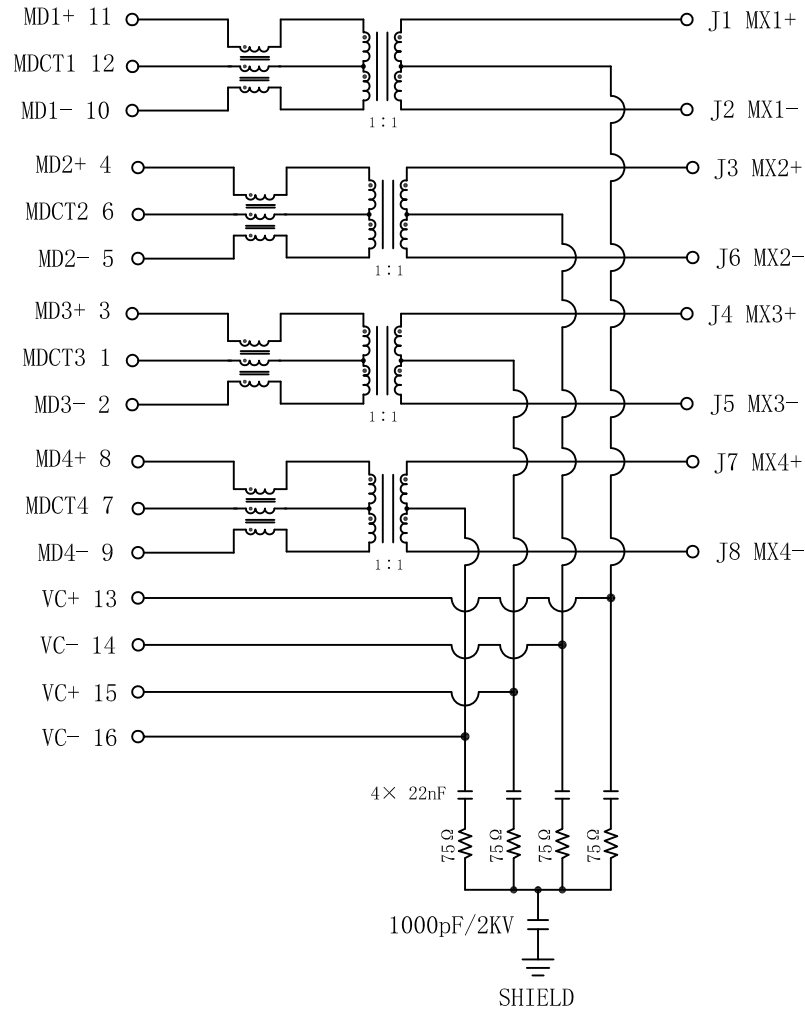


# Schematic :

REV.	ECN NO.	DESCRIPTION	DATE	APPD
B	REL		2016-09-26	

PC BOARD CONNECTIONS

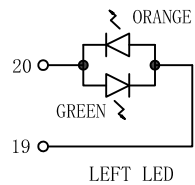


RJ45 CONNECTOR

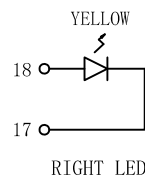
## Electrical Specifications @25°C

- Inductance: 350uH Min  
@ 100KHz, 0.1V, 20mA DC BIAS
- Turns Ratio( $\pm 2\%$ ): 1CT : 1CT
- Insertion Loss:  
1-100MHz:-1.0dB Max
- Return Loss(load 100  $\Omega$ ):  
1-30MHz:-18dB Min  
30-60MHz:-16dB Min  
60-80MHz:-12dB Min  
80-100MHz:-10dB Min
- Crosstalk:  
1-100MHz:-30dB Min
- Common Mode Rejection:  
1-100MHz:-30dB Min
- Balanced DC Line Current:  
720mA Max @57VDC Continuous  
1.2A Max @57VDC For 200 Milliseconds.
- Hipot: 1500Vrms Min @60Hz
- Operating Temperature: -40°C ~ +85°C.

Emitting Color	$\lambda$ p(nm)	VF@IF=20mA	IR @VR=5V
ORANGE / GREEN	610 / 565	1.8~2.6V	10 $\mu$ A max
YELLOW	585	1.8~2.6V	10 $\mu$ A max



LEFT LED



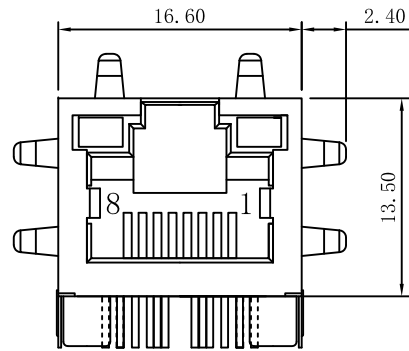
RIGHT LED



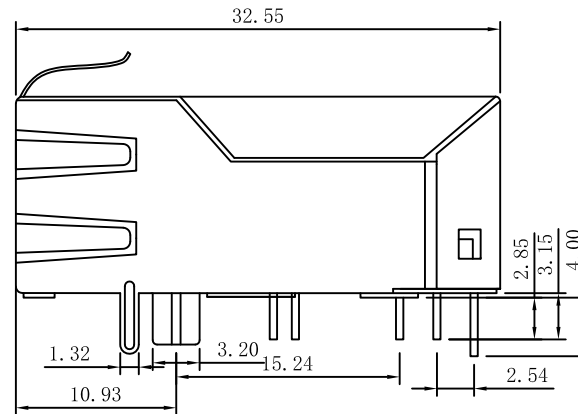
X:X	$\pm 0.30$	APPD:	LINK-PP INT'L TECHNOLOGY CO., LIMITED	
X:XX	$\pm 0.25$	CHKD:	TITLE: RJ45 Connector with 1000 Base-T Integrated Magnetics For PoE+ Application	
X:XXX	$\pm 0.05$	DR: TOM	PART NO. : LPJK6064AONL	
ANGLES	$\pm 1^\circ$	UNIT: mm	DWG NO. : LP16092610	
	SCALE: 2/1	SHEET: 1/2	REV: B	

# Mechanical :

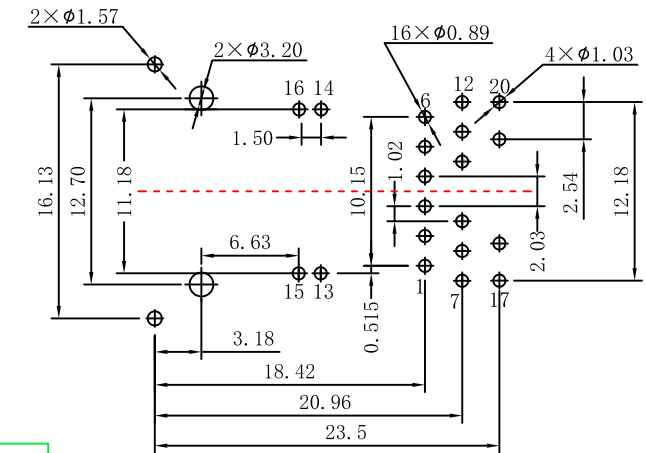
REV.	ECN NO.	DESCRIPTION	DATE	APPD
B	REL		2016-09-26	



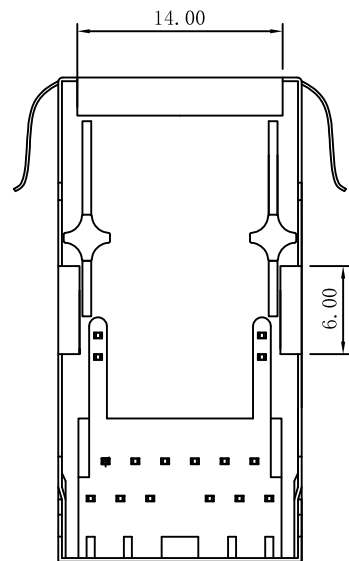
Front Side View



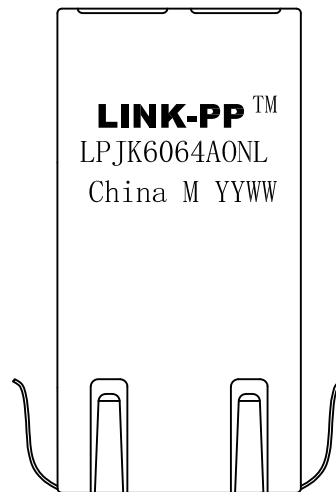
Left Side View



Suggested PCB Layout (Top View)



Bottom Side View



Top Side View

## NOTES:

1. Designed to support application, such as SOHO (ADSL modems), LAN-ON-Motherboard (LOM), hub and Switches.
2. Meets IEEE 802.3at specification
3. Connector Materials:  
 Housing Material: Thermoplastic PBT+30%G.F UL94V-0  
 Contact Material: Phosphor Bronze C5210R-EH Thickness=0.35mm  
 Pins: Brass C2680R-H Thickness=0.35mm  
 Shield: Copper alloy Brass H65Y Thickness=0.2mm  
 Contact plating: Gold 6 micro-inches min. In contact area.
4. Wave solder tip temperature: 265°C Max, 5 Sec Max

X:X	±0.30	APPD:	LINK-PP INT'L TECHNOLOGY CO., LIMITED	
X:XX	±0.25	CHKD:	TITLE: RJ45 Connector with 1000 Base-T Integrated Magnetics For PoE+ Application	
X:XXX	±0.05	DR: TOM	PART NO.: LPJK6064A0NL	
ANGLES	±1°	UNIT: mm	DWG NO.: LP16092610	
	SCALE: 2/1	SHEET: 2/2	REV: B	