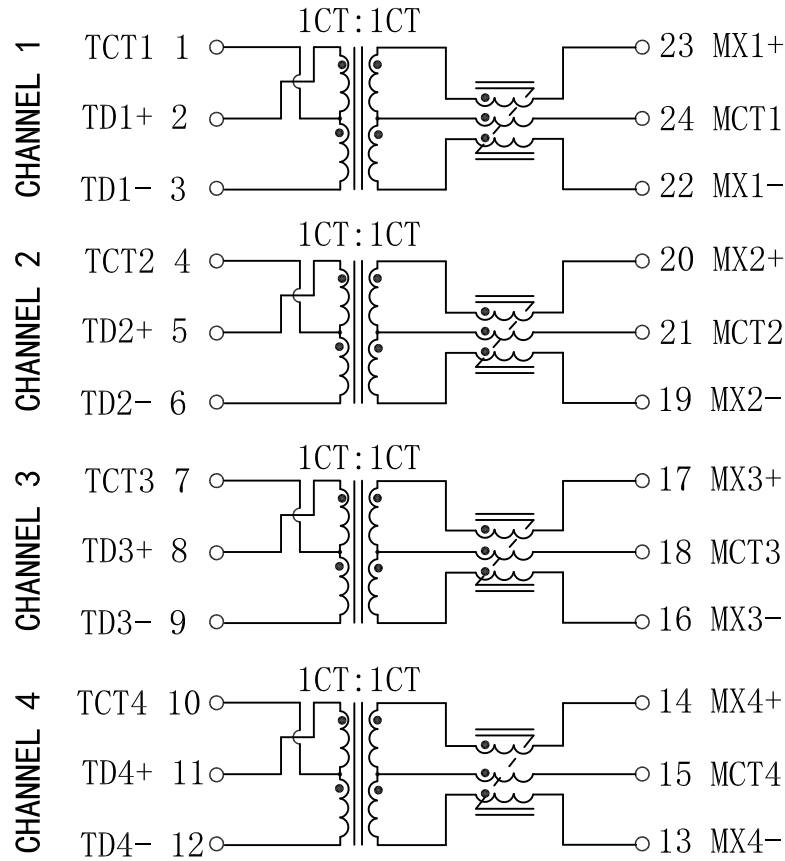


Schematic:

REV.	ECN NO.	DESCRIPTION	DATE	APPD
A	REL		2013/11/20	



Electrical Specification @25°C

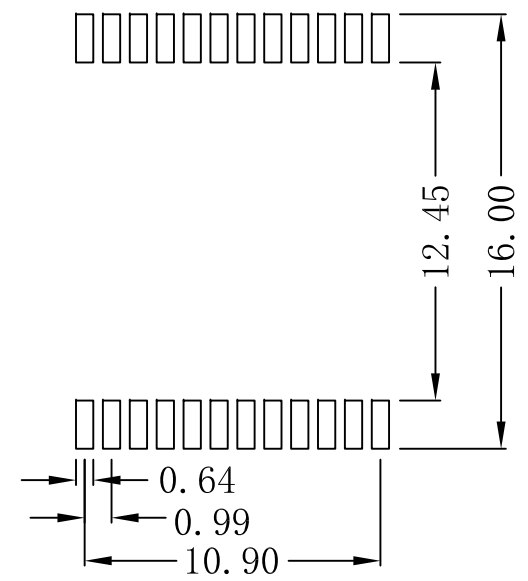
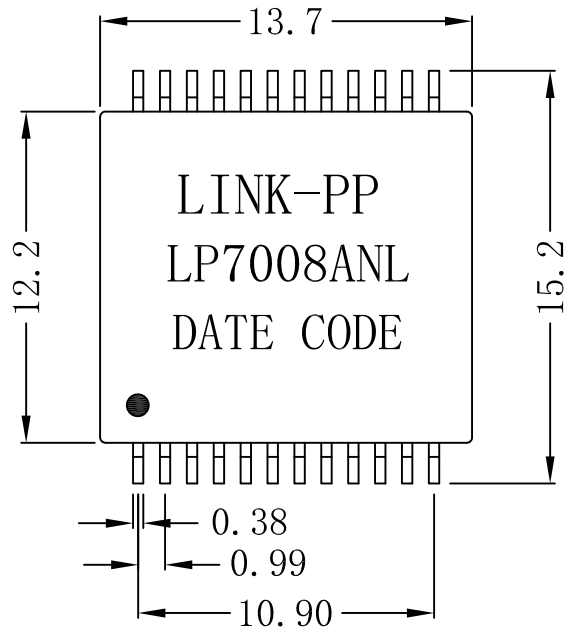
- Turns Ratio: 1.00 ±2%
- Inductance (OCL):
200uH Min @100KHz, 100mV
- Insertion Loss:
100KHz: -3.0dB Max
1-500MHz: -1.0dB Max (-0.6 dB TYP)
- Return Loss (Z OUT = 100 OHM ±1%):
1-40MHz: -18dB Min
40-500MHz: -17+10*LOG(f/40)
- Crosstalk:
1-100MHz: -40dB Min
100-500MHz: -30dB Min
- Common Mode Rejection Ratio:
1-100MHz: -35dB Min
100-300MHz: -30dB Min
300-500MHz: -25dB Min
- Common to Differential Mode Rejection:
1-250MHz: -30dB Min
250-500MHz: -22dB Min
- Hipot: 1500Vrms MIN
- Operating Temperature: -40°C ~ +85°C.



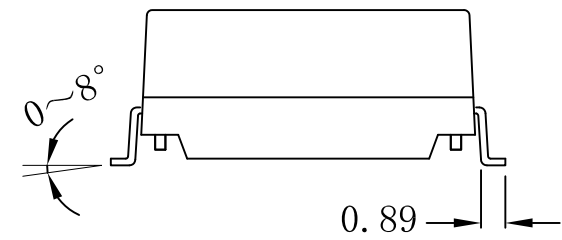
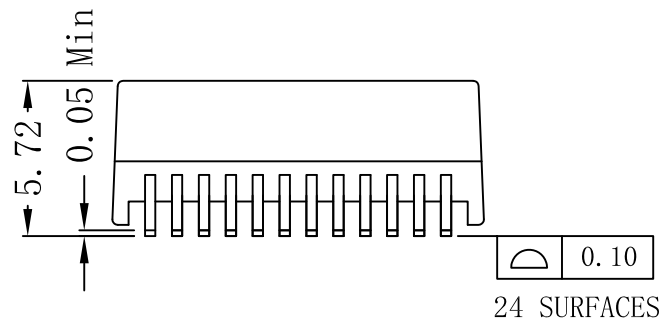
X:X	APPD:	LINK-PP INT'L TECHNOLOGY CO., LIMITED		
X:XX ±0.25	CHKD:	TITLE: 10GBase-T Magnetic Modules		
X:XXX	DR: TOM	PART NO.: LP7008ANL		
ANGLES ±1°	UNIT: mm			
	SCALE: 2/1	SHEET: 1/2	REV: A	DWG NO.: LP13112021

Mechanical :

REV.	ECN NO.	DESCRIPTION	DATE	APPD
A	REL		2013/11/20	



SUGGESTED PAD LAYOUT



NOTES:

1. Designed to Support 10GBase-T Transceivers
2. Compliant with IEEE 802.3 standard
3. Qualified with top 10Gig PHY Manufacturers
4. RoHS peak reflow temperature rating 245°C
5. Low profile package for PCI Express
6. Fine-tuned magnetics to specific PHY vendors
7. UL Certification: File Number E484635.

X:X	APPD:	LINK-PP INT'L TECHNOLOGY CO., LIMITED		
X:XX	±0.25	CHKD:	TITLE: 10GBase-T Magnetic Modules	
X:XXX		DR: TOM	PART NO.: LP7008ANL	
ANGLES	±1°	UNIT: mm	REV: A	DWG NO.: LP13112021
	SCALE: 2/1	SHEET: 2/2		