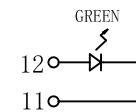
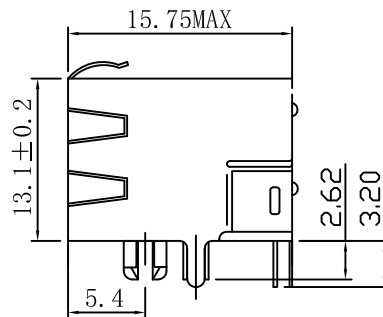
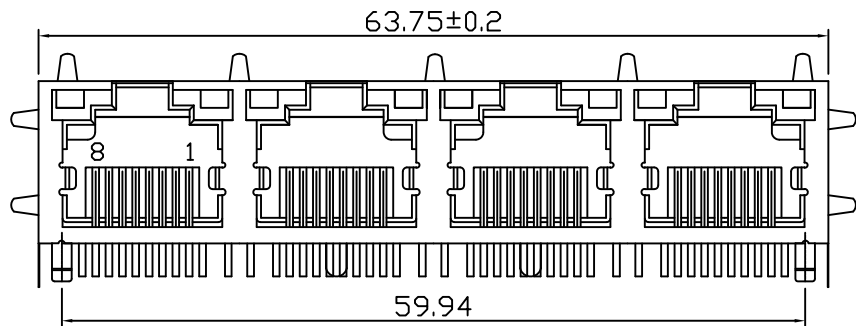
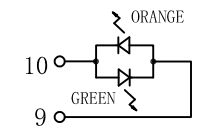


Mechanical:

REW.	ECN NO.	DESCRIPTION	DATE	APPD
A	REL		2010-07-28	

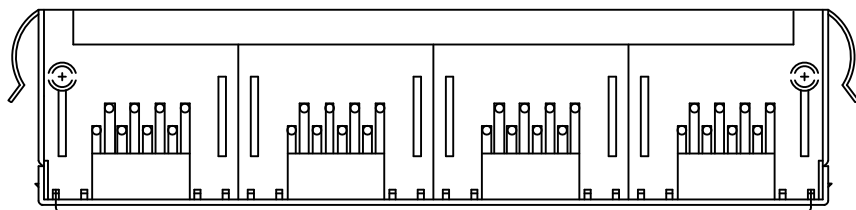


LEFT LED



RIGHT LED

Emitting Color	λ p(nm)	VF@IF=20mA	IR @VR=5V
GREEN	585	1.8-2.4V	10 μ A max
ORANGE	625	1.8-2.4V	10 μ A max



NOTES:

Electrical:

- 1. Voltage rating : 125 VAC RMS
- 2. Current Rating : 1.5 AMP
- 3. Contact resistance : 50 m Ω Max
- 4. Insulation resistance : 500 M Ω Min @500V DC
- 5. Dielectric strength : 1500 VAC RMS 60Hz, 1MIN.

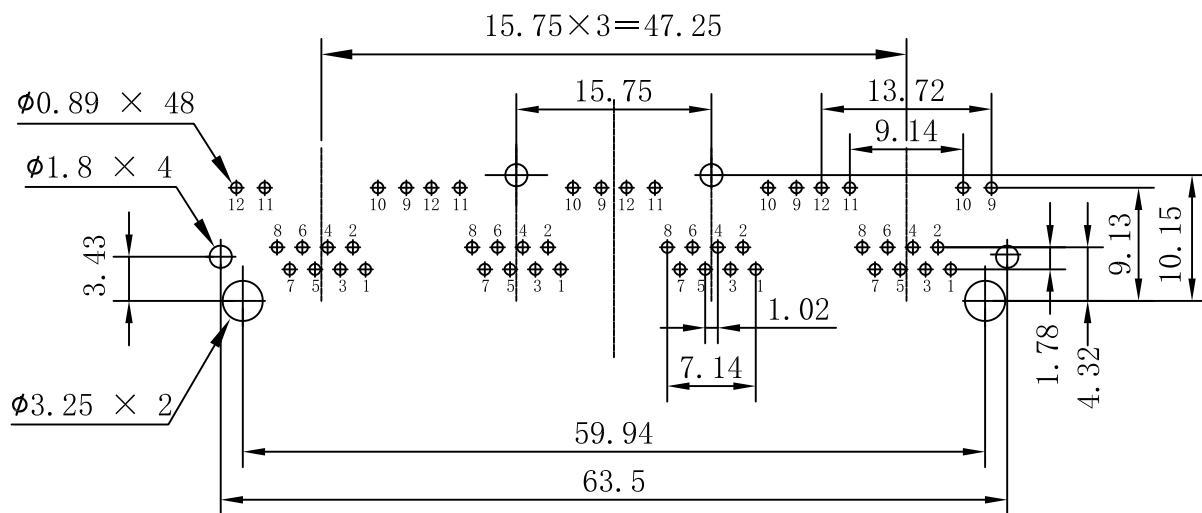


MECHANICAL:

- 1. Housing & Insert Material : PBT UL94V-0.
- 2. Contact Material : Diameter 0.46mm Phosphor Bronze Gold Plating Over Nickel.
- 3. Shield : 0.20-0.25mm Thickness Brass With tin Plated
- 3. Operating Life : 750 Cycles Min.

ENVIRONMENTAL:

- 1. Storage : -40 $^{\circ}$ C ~ +85 $^{\circ}$ C
- 2. Operation : -40 $^{\circ}$ C ~ +85 $^{\circ}$ C.
- 3. Wave solder temperature : 265 $^{\circ}$ C MAX, 5 Sec.
- 4. UL Certification : File Number E484635.



PC Board Layout (Top View)
Component Side Shown

X:X	± 0.30	APPD:	LINK-PP INT'L TECHNOLOGY CO., LIMITED
X:XX	± 0.25	CHKD:	
X:XXX	± 0.05	DR: TOM	TITLE: 1x4 RJ45 Connector
ANGLES	$\pm 1^{\circ}$	UNIT: mm	PART NO.: LPJE401A26NL
	SCALE: 1/1	SHEET: 1/1	REV: A
			DWG NO.: LP10072830