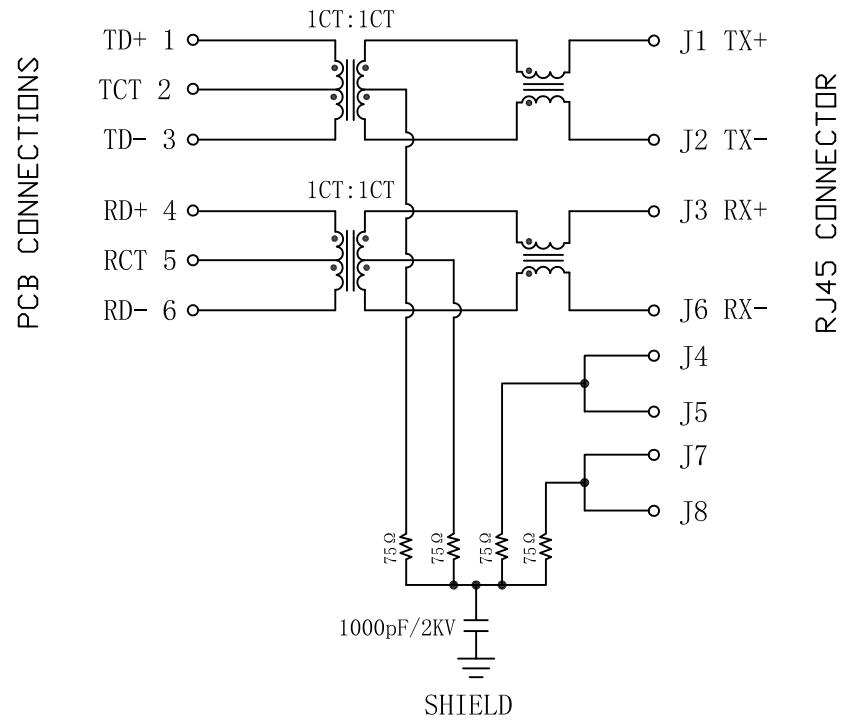


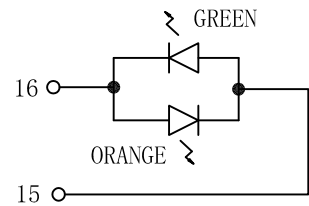
Schematic:

REV.	ECN NO.	DESCRIPTION	DATE	APPD
A	REL		2018-11-14	



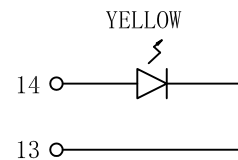
Electrical Specifications @25°C

- Turns Ratio ($\pm 3\%$):
TX=1CT : 1CT RX=1CT : 1CT
- OCL: 350uH MIN
@100KHz, 100mV 8mA bias current.
- Insertion Loss:
0. 1-100MHz: -1.0dB MAX
- Return Loss (@100Ω):
0. 1-30MHz: -18dB MIN
30-60MHz: -12dB MIN
60-80MHz: -10dB MIN
- Crosstalk:
1-30MHz: -40dB MIN
30-60MHz: -35dB MIN
60-100MHz: -30dB MIN
- Common Mode Rejection Ratio:
1-50MHz: -30dB MIN
50-200MHz: -20dB MIN
- Hipot: 1500Vrms MIN
- Operating Temperature: 0°C ~ +70°C.



LEFT LED

LED POLARITY		COLOR
PIN 15	PIN 16	
-	+	ORANGE
+	-	GREEN



RIGHT LED

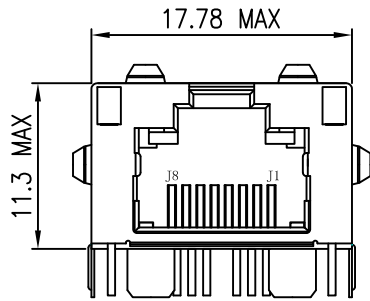
LED POLARITY		COLOR
PIN 13	PIN 14	
-	+	YELLOW

Emitting Color	λ p(nm)	VF@IF=20mA	IR @VR=5V
GREEN	565	1.8~2.4V	10 μ A max
YELLOW	585	1.8~2.4V	10 μ A max
ORANGE	610	1.8~2.4V	10 μ A max

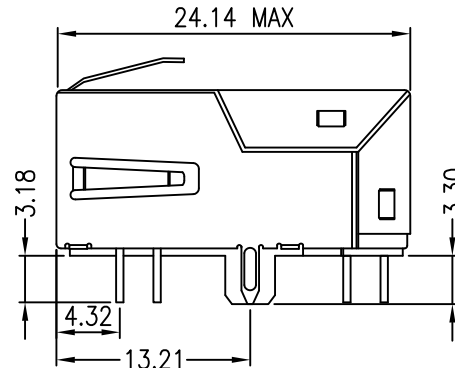
X:X	± 0.30	APPD:	LINK-PP INT'L TECHNOLOGY CO., LIMITED	
X:XX	± 0.25	CHKD:	TITLE: RJ45 Connector with 10/100 Base-T Integrated Magnetics	
X:XXX	± 0.05	DR: TOM	PART NO.: LPJK7008ALNL	
ANGLES	$\pm 1^\circ$	UNIT: mm	DWG NO.: LP18111401	
		SCALE: 2/1	SHEET: 1/2	REV: A

Mechanical:

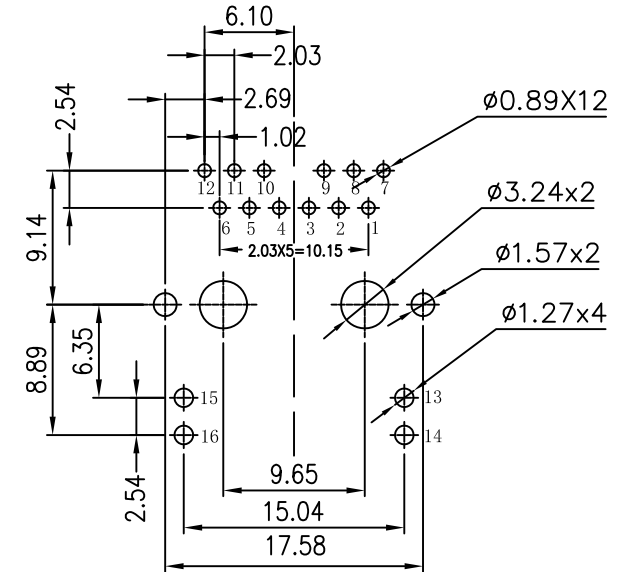
REV.	ECN NO.	DESCRIPTION	DATE	APPD
A	REL		2018-11-14	



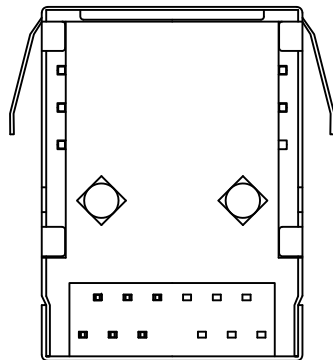
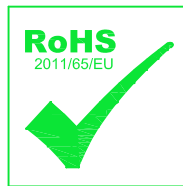
Front Side View



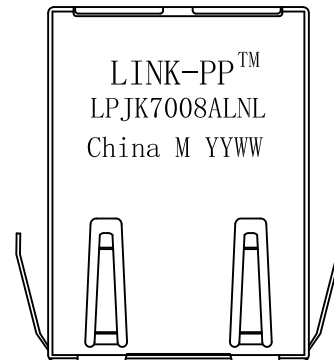
Left Side View



Suggested PCB Layout (Top View)



Bottom Side View



Top Side View

NOTES:

1. Designed to support application, such as SOHO (ADSL modems), LAN-on-Motherboard (LOM), hub and Switches.
2. Meets IEEE 802.3 specification
3. Connector Materials:
Housing: Thermoplastic UL94V-0
Contact/Shield: Copper alloy
Shield plating: Nickel
Contact plating: Gold 6 micro-inches min. In contact area.
4. Wave peak temperature: 265°C Max, 5Sec.
5. UL Certification: File Number E484635.

X:X	±0.30	APPD:	LINK-PP INT'L TECHNOLOGY CO., LIMITED	
X:XX	±0.25	CHKD:		
X:XXX	±0.05	DR: TOM	TITLE: RJ45 Connector with 10/100 Base-T Integrated Magnetics	
ANGLES	±1°	UNIT: mm	PART NO.: LPJK7008ALNL	
	SCALE: 2/1	SHEET: 2/2	REV: A	DWG NO.: LP18111401