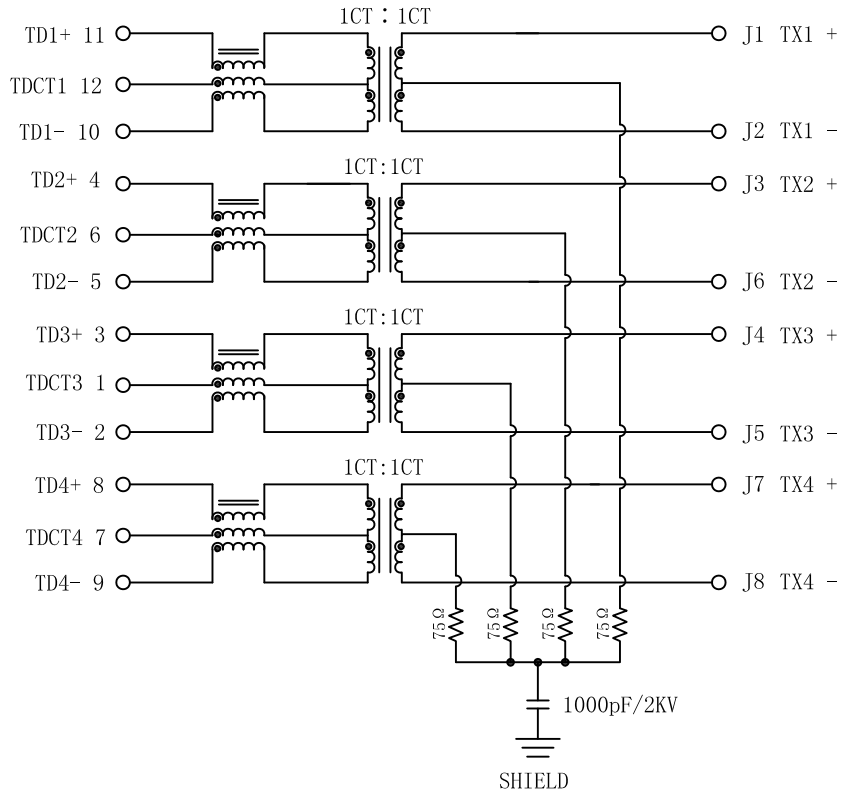


Schematic:

REV.	ECN NO.	DESCRIPTION	DATE	APPD
A	REL		2013/06/22	

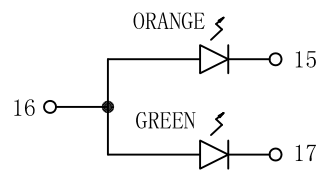
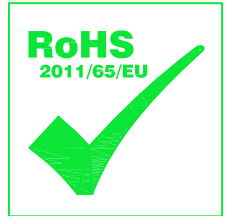
PCB CONNECTIONS



RJ45 CONNECTOR

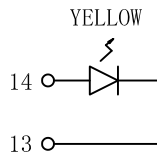
Electrical Specification @25°C

- Turns Ratio ($\pm 2\%$): 1CT:1CT
- OCL: 350uH Min @100KHz/100mVrms
8mA DC Bias (0°C-70°C)
- Insertion Loss (dB Max):
1~100MHz:-1.2
- Return Loss (dB Typ @100 OHMS $\pm 15\%$):
1~10MHz:-18 30MHz:-18
60~80MHz:-12 80~100MHz:-10
- Crosstalk (dB Typ):
1~10MHz:-40 32~65MHz:-35
65~100MHz:-30
- Common Mode Rejection:
1~125MHz:-30dB Typ
- Hipot: 1500Vrms
- Operating Temperature: -40°C ~ +85°C.



LEFT LED

LED POLARITY			COLOR
PIN 15	PIN 16	PIN 17	
-	+	/	ORANGE
/	+	-	GREEN



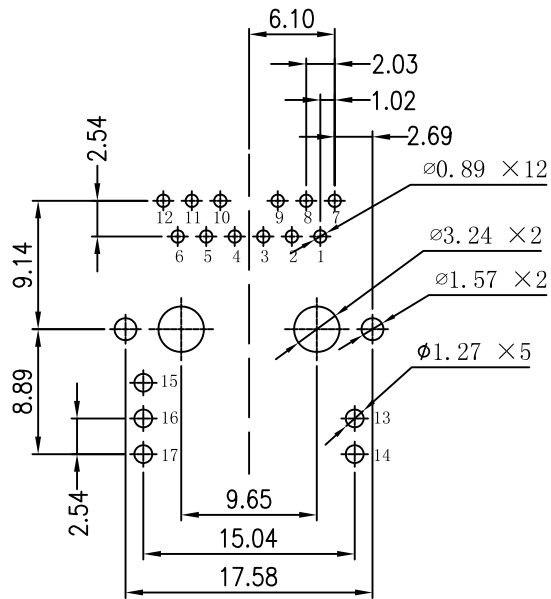
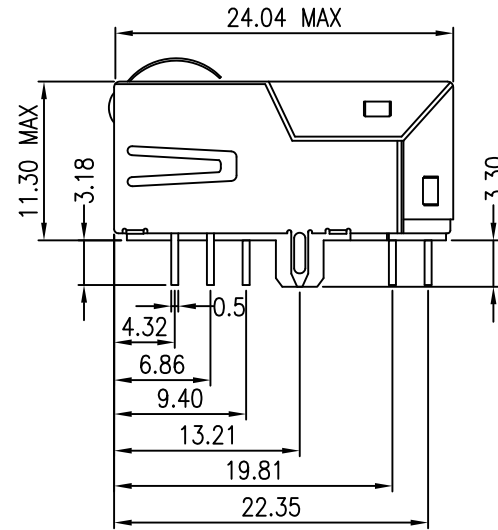
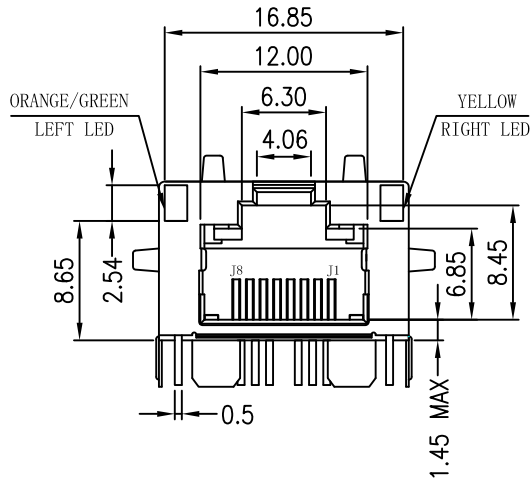
RIGHT LED

LED POLARITY		COLOR
PIN 13	PIN 14	
-	+	YELLOW

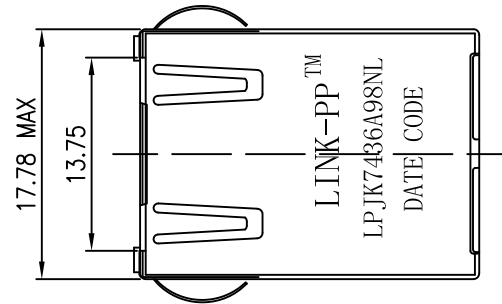
Emitting Color	λ p(nm)	VF@IF=20mA	IR @VR=5V
ORANGE	610	1.8~2.6V	20 μ A max
GREEN	565	1.8~2.6V	20 μ A max
YELLOW	585	1.8~2.6V	20 μ A max

X:X	± 0.30	APPD:	LINK-PP INT'L TECHNOLOGY CO., LIMITED	
X:XX	± 0.25	CHKD:	TITLE: RJ45 Connector With 1000 Base-TX Integrated Magnetic	
X:XXX	± 0.05	DR: TOM	PART NO.: LPJK7436A98NL	
ANGLES	$\pm 1^\circ$	UNIT: mm		
	SCALE: 2/1	SHEET: 1/2	REV: A	DWG: LP13062221

Mechanical:



SUGGESTED PCB LAYOUT(TOP VIEW)



REV.	ECN NO.	DESCRIPTION	DATE	APPD
A	REL		2013/06/22	

NOTES:

1. Designed to support application, such as SOHO (ADSL modems), LAN-on-Motherboard (LOM), hub and Switches.
2. Meets IEEE 802.3 specification
3. Connector Materials:
Housing: Thermoplastic UL94V-0
Contact/Shield: Copper alloy
Shield plating: Nickel
Contact plating: Gold 6 micro-inches min. In contact area.
4. Wave peak temperature: 260°C, 5Sec.



X:X	±0.30	APPD:	LINK-PP INT'L TECHNOLOGY CO., LIMITED	
X:XX	±0.25	CHKD:	TITLE: RJ45 Connector With 1000 Base-TX Integrated Magnetic	
X:XXX	±0.05	DR: TOM	PART NO.: LPJK7436A98NL	
ANGLES	±1°	UNIT: mm		
	SCALE: 2/1	SHEET: 2/2	REV: A	DWG: LP13062221