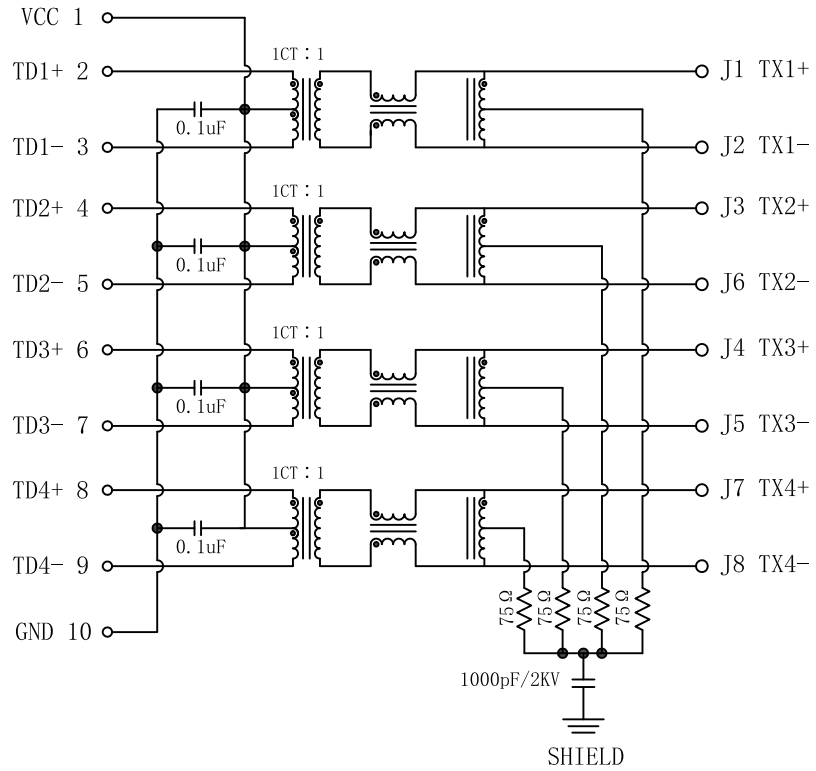


# Mechanical:

REV.	ECN NO.	DESCRIPTION	DATE	APPD
A	REL		2015-05-04	

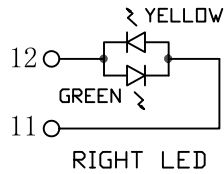
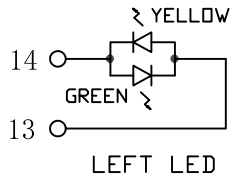
PC BOARD CONNECTIONS



RJ45 CONNECTOR

### Electrical Specifications @25°C

- Turns Ratio:  
Pri : Sec = 1CT : 1
- Inductance: 350uH Min  
@100KHz, 0.1V, 8mA DC Bias
- Insertion Loss:  
0.1-100MHz: -1.0dB Max
- Return Loss:  
1-30MHz: -18dB Min  
30-60MHz: -16dB Min  
60-80MHz: -12dB Min  
60-100MHz: -10dB Min
- Crosstalk:  
1-100MHz: -25dB Min
- Common Mode Rejection:  
1-100MHz: -30dB Min
- Hi-Pot : 1500VAC/0.5mA
- Operating Temperature: 0°C ~ 70°C.



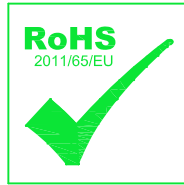
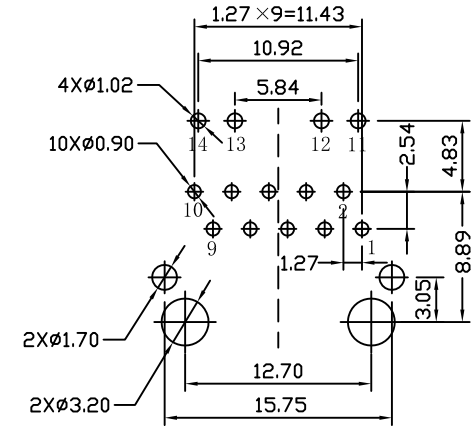
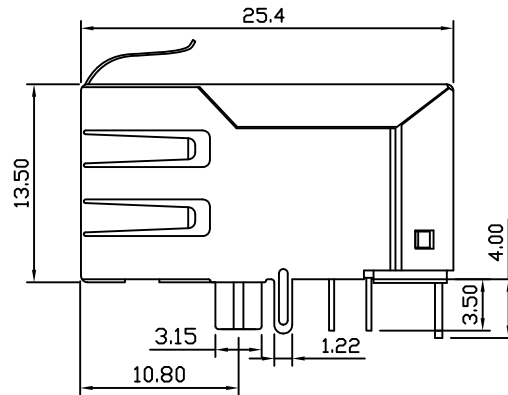
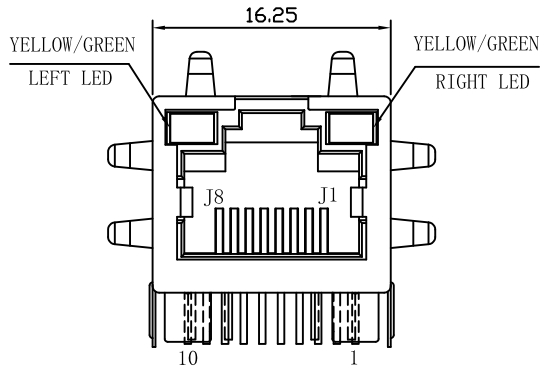
Emitting Color	λ p(nm)	VF@IF=20mA	IR @VR=5V
GREEN	565	1.8~2.6V	10 μ A max
YELLOW	585	1.8~2.6V	10 μ A max



X:X ±0.30	APPD:	LINK-PP INT'L TECHNOLOGY CO LIMITED		
X:XX ±0.25	CHKD:			
X:XXX ±0.05	DR: TOM	TITLE: RJ45 Connector with 1000 Base-T Integrated Magnetics		
ANGLES ±1°	UNIT: mm	PART NO. : LPJG17333-1A47NL		
	SCALE: 2/1	SHEET: 1/2	REV: A	DWG NO. : LP15050452

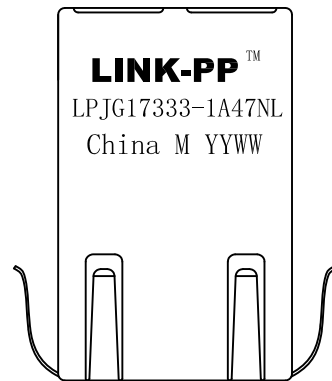
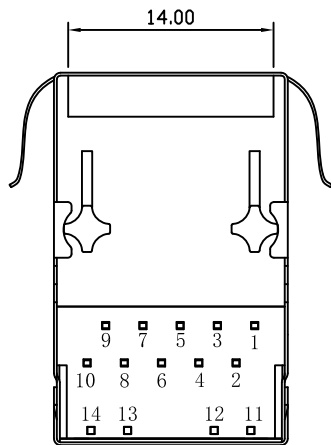
# Mechanical:

REV.	ECN NO.	DESCRIPTION	DATE	APPD
A	REL		2015-05-04	



## NOTES:

1. Designed to support application, such as SOHO (ADSL modems), LAN-on-Motherboard (LOM), hub and Switches.
2. Meets IEEE 802.3 specification
3. Connector Materials:  
 Housing: Thermoplastic PBT+30%G.F UL94V-0  
 Contact: Phosphor Bronze C5210R-EH Thickness=0.35mm  
 Pins: Brass C2680R-H Thickness=0.35mm  
 Shield: SUS 201-1/2H Thickness=0.2mm  
 Contact plating: Gold 6 micro-inches min. In contact area.
4. Wave solder tip temperature: 265°C Max, 5 Sec.
5. UL Certification: File Number E484635.



X:X ±0.30	APPD:	LINK-PP INT'L TECHNOLOGY CO LIMITED
X:XX ±0.25	CHKD:	
X:XXX ±0.05	DR: TOM	TITLE: RJ45 Connector with 1000 Base-T Integrated Magnetics
ANGLES ±1°	UNIT: mm	PART NO.: LPJG17333-1A47NL
	SCALE: 2/1	SHEET: 2/2
	REV: A	DWG NO.: LP15050452