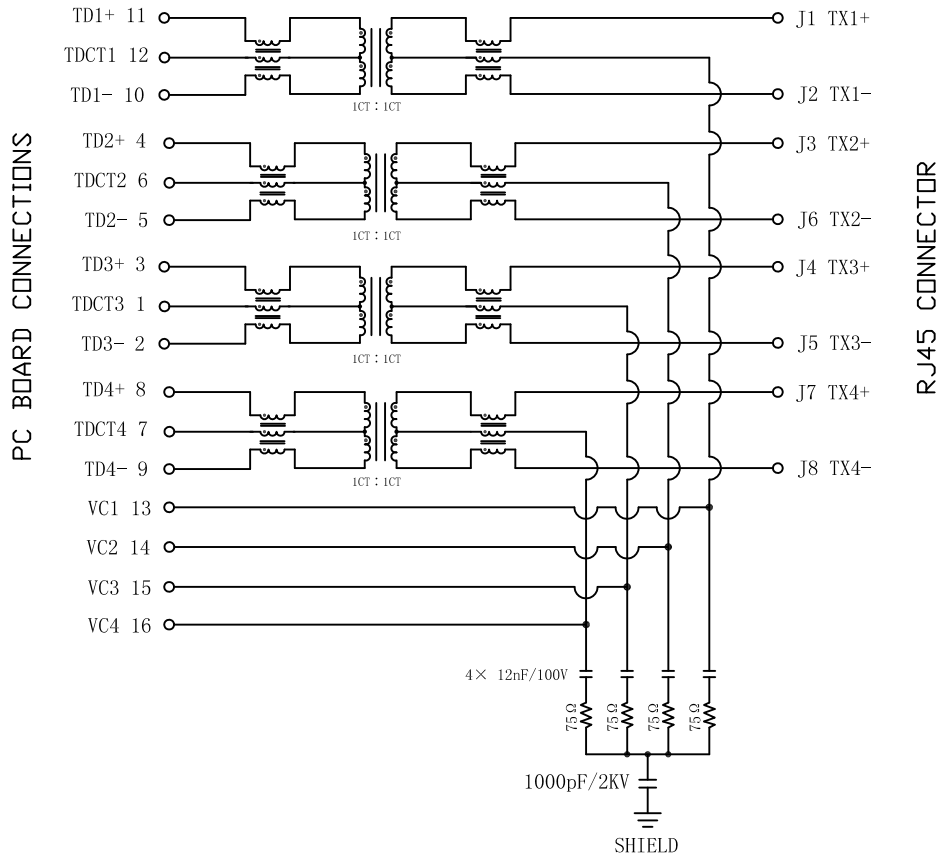
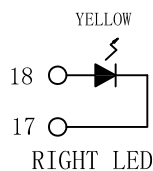
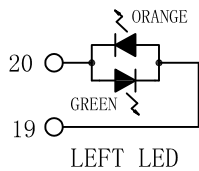


Schematic:



Electrical Specifications @25°C

1. OCL: 350uH min
@100KHz, 100mV, 18mA DC BIAS
2. Turns Ratio: 1CT : 1CT
3. Insertion Loss:
1~100MHz: -1.0dB max
4. Return Loss (dB min):
1~30MHz: -18; 30~45MHz: -16;
45~60MHz: -14; 60~80MHz: -12;
80~100MHz: -10.
5. Crosstalk:
1~100MHz: -30dB typ;
6. CMR (dB min):
1~100MHz: -35;
100~500MHz: -25.
7. Hipot: 1500Vrms @60Hz
8. Designed to handle 600mADC and meet 802.3at.
9. Operating Temperature: 0°C ~ +70°C.

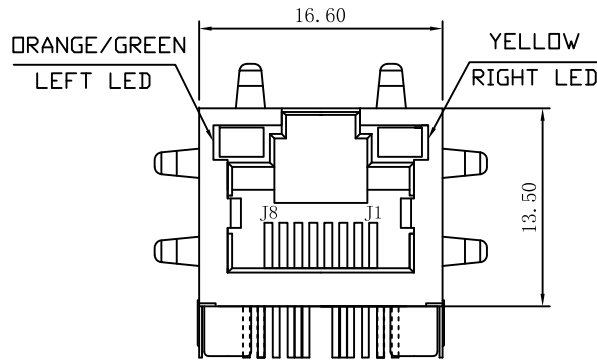


Emitting Color	λ p(nm)	VF@IF=20mA	IR @VR=5V
ORANGE/GREEN	610/565	1.8~2.6V	10 μ A max
YELLOW	585	1.8~2.6V	10 μ A max

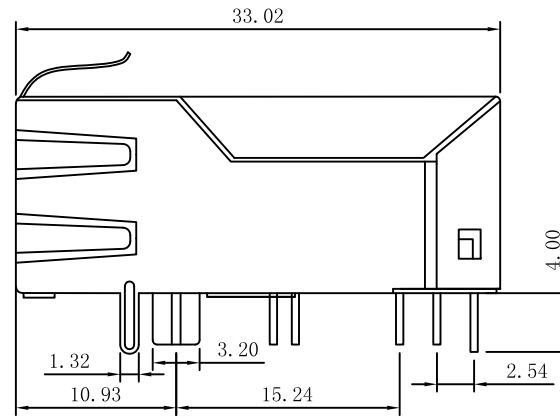
X:X	± 0.30	APPD:	LINK-PP INT'L TECHNOLOGY CO., LIMITED
X:XX	± 0.25	CHKD:	
X:XXX	± 0.05	DR: TOM	TITLE: RJ45 Connector With 1000 Base-TX Integrated Magnetic For PoE+ Application
ANGLES	$\pm 1^\circ$	UNIT: mm	PART NO.: LPJK2069AONL
	SCALE: 2/1	SHEET: 1/2	REV: A DWG NO.: LP11090122

Mechanical :

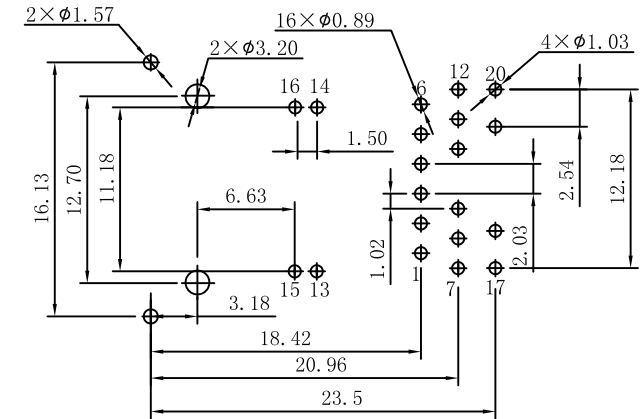
REV.	ECN NO.	DESCRIPTION	DATE	APPD
A	REL		2011/09/01	



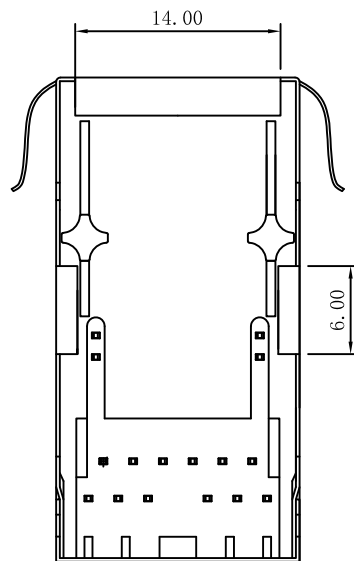
Front Side View



Left Side View



Suggested PCB Layout (Top View)



Bottom Side View



NOTES:

1. Designed to support application, such as SOHO (ADSL modems), LAN-on-Motherboard (LOM), hub and Switches.
2. Meets IEEE 802.3at specification
3. Connector Materials:
Housing: Thermoplastic UL94V-0
Contact/Shield: Copper alloy
Shield plating: Nickel
RJ-45 Contact plating: Gold 6 micro-inches min. In contact area
4. Wave solder tip temperature: 265°C Max., 5 Sec Max.

X:X	±0.30	APPD:	LINK-PP INT'L TECHNOLOGY CO., LIMITED
X:XX	±0.25	CHKD:	
X:XXX	±0.05	DR: TOM	TITLE: RJ45 Connector With 1000 Base-TX Integrated Magnetic For PoE+ Application
ANGLES	±1°	UNIT: mm	PART NO.: LPJK2069AONL
	SCALE: 2/1	SHEET: 2/2	REV: A DWG NO.: LP11090122