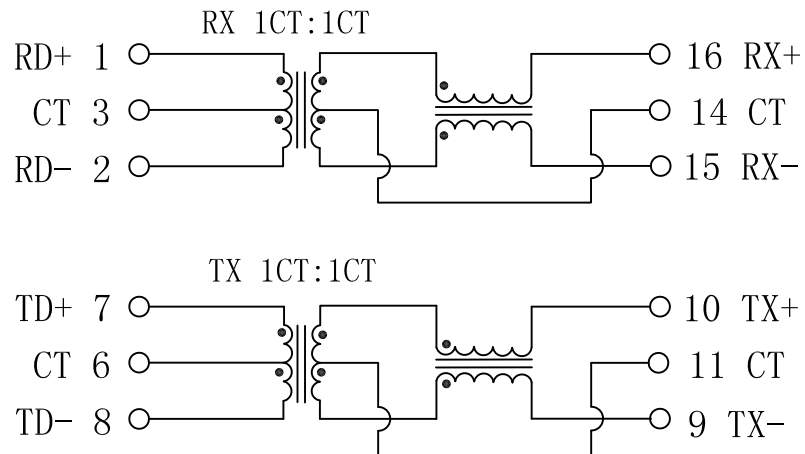


# Schematic:

REV.	ECN NO.	DESCRIPTION	DATE	APPD
A	REL		27/08/09	



## Electrical Specifications @25°C

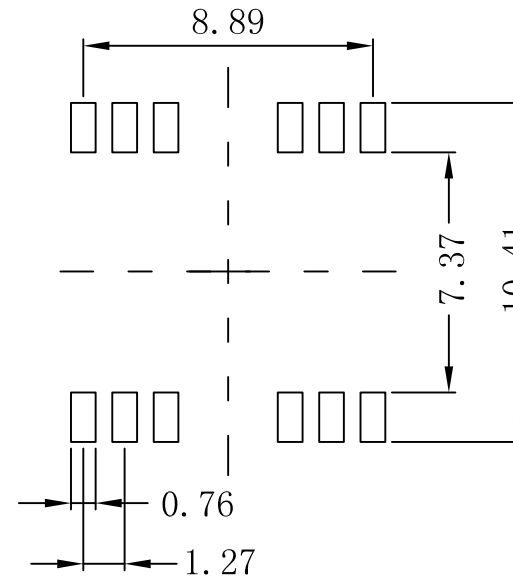
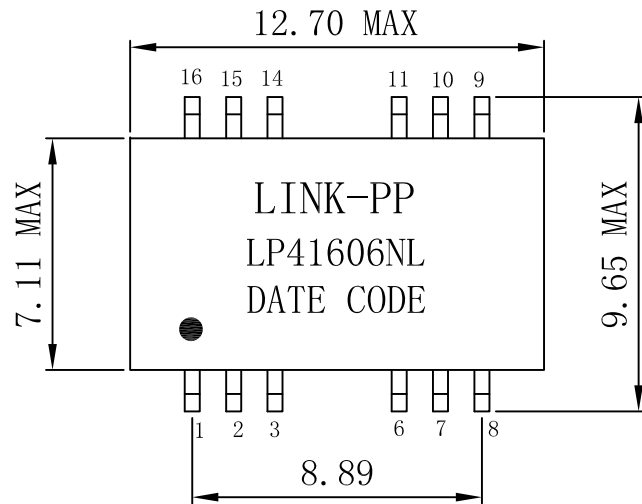
- Turns Ratio ( $\pm 5\%$ ):  
TX=1CT : 1CT      RX=1CT : 1CT
- OCL: 350uH MIN @100KHz/0.1V
- Insertion Loss:  
0.3-100MHz: -1.1dB MAX
- Return Loss (dB TYP):  
30MHz: -20      60MHz: -14  
80MHz: -11.5
- Crosstalk (dB TYP):  
30MHz: -45      60MHz: -40  
100MHz: -35
- CMR (dB TYP):  
30MHz: -42      50MHz: -37  
100MHz: -33
- Hipot: 1500Vrms/0.5mA/60Sec.
- Operating Temperature: 0°C ~ 70°C



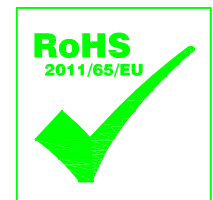
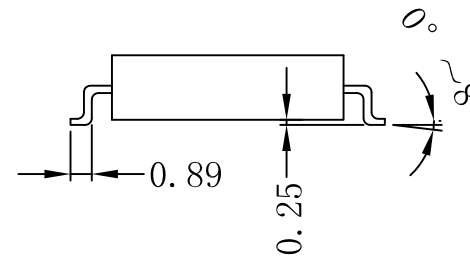
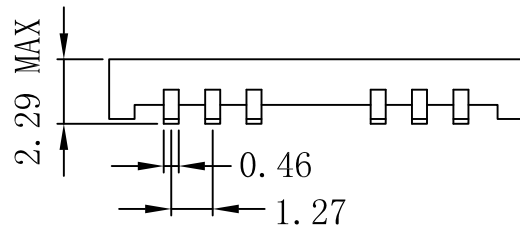
X:X	APPD:	LINK-PP INT'L TECHNOLOGY CO., LIMITED		
X:XX ±0.25	CHKD:	TITLE: 10/100 Base PC Card Lan Magnetic Modules		
X:XXX	DR: TOM	PART NO.: LP41606NL		
ANGLES ±1°	UNIT: mm			
	SCALE: 2/1	SHEET: 1/2	REV: A	DWG NO.: LP09082705

**Mechanical:**

REV.	ECN NO.	DESCRIPTION	DATE	APPD
A	REL		27/08/09	



SUGGESTED PAD LAYOUT



**NOTES:**

1. Designed to support application, such as SOHO (ADSL modems), LAN-on-Motherboard (LOM), hub and Switches.
2. With various Turns Ratios.
3. RoHS "NL" peak solder rating 250°C.

X:X	APPD:	LINK-PP INT'L TECHNOLOGY CO., LIMITED		
X:XX ±0.25	CHKD:	TITLE: 10/100 Base PC Card Lan Magnetic Modules		
X:XXX	DR: TOM	PART NO.: LP41606NL		
ANGLES ±1°	UNIT: mm	REV: A		
	SCALE: 2/1	SHEET: 2/2	DWG NO.: LP09082705	