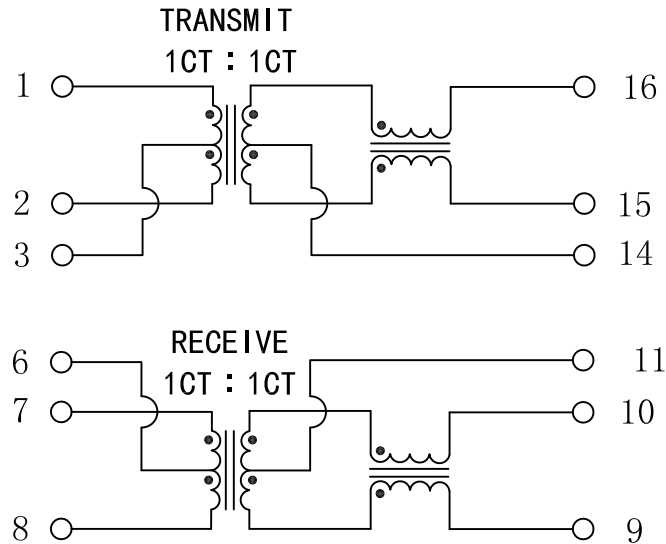


# Schematic:

REV.	ECN NO.	DESCRIPTION	DATE	APPD
A	REL		2010/10/21	



## Electrical Specifications @25°C

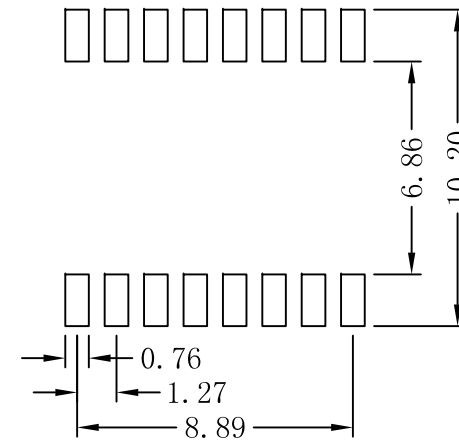
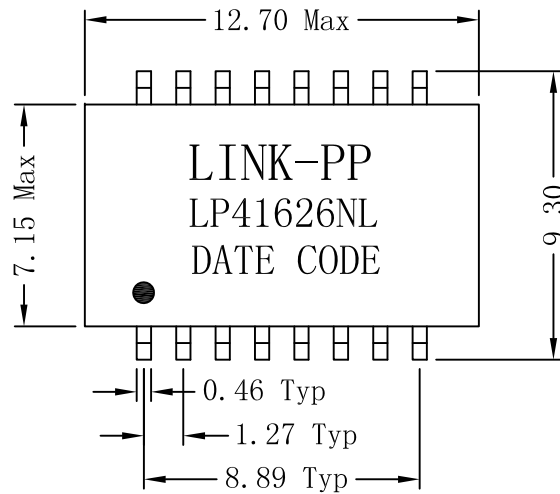
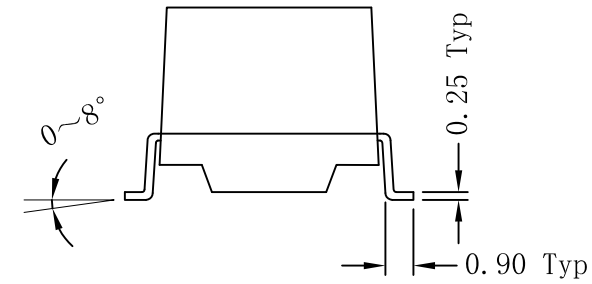
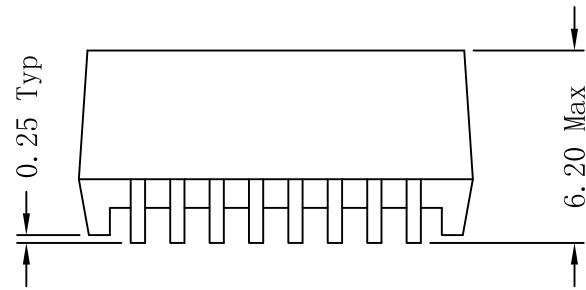
- Turns Ratio:  
 $(1-2) : (16-15) = 1CT : 1CT$   
 $(7-8) : (10-9) = 1CT : 1CT$
- Inductance OCL: 350uH MIN  
@ 100KHz, 0.1Vrms, 8mADC
- Hipot:  
1500Vrms
- Insertion Loss:  
0.1-100MHz: -1.1dB MAX
- Return Loss:  
0.5-30MHz: -16dB MIN  
40MHz: -15.5dB MIN  
50MHz: -13.5dB MIN  
60-80MHz: -12dB MIN
- Cross Talk:  
0.1-100MHz: -35dB MIN
- CMRR:  
0.1-100MHz: -35dB MIN
- Operating Temperature: 0°C ~ 70°C.



X:X	APPD:	LINK-PP INT'L TECHNOLOGY CO., LIMITED		
X:XX	CHKD:	TITLE: 100 Base-T Single Port Transformer Modules		
X:XXX	DR: C.H.Y	PART NO.: LP41626NL		
ANGLES ±1°	UNIT: mm			
	SCALE: 2/1	SHEET: 1/2	REV: A	DWG NO.: LP11012214

# Mechanical:

REV.	ECN NO.	DESCRIPTION	DATE	APPD
A	REL		2010/10/21	



SUGGESTED PAD LAYOUT

## NOTES:

1. Designed to support application, such as SOHO (ADSL modems), LAN-on-Motherboard (LOM), hub and Switches.
2. With various Turns Ratios.
3. RoHS "NL" peak solder rating  $260^{\circ}\text{C} \pm 5^{\circ}\text{C}$ .



Dimensions: mm

Unless otherwise specified, all tolerances are  $\pm 0.25$

X:X	APPD:	LINK-PP INT'L TECHNOLOGY CO., LIMITED		
X:XX	CHKD:	TITLE: 100 Base-T Single Port Transformer Modules		
X:XXX	DR: C. H. Y	PART NO.: LP41626NL		
ANGLES $\pm 1^{\circ}$	UNIT: mm			
	SCALE: 2/1	SHEET: 2/2	REV: A	DWG NO.: LP11012214