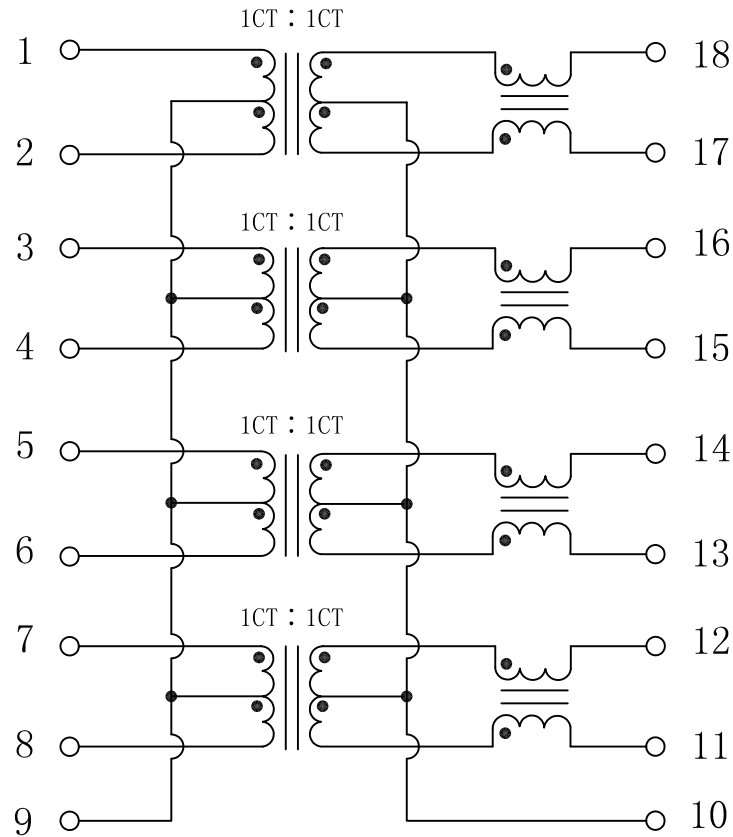


# Schematic:

REV.	ECN NO.	DESCRIPTION	DATE	APPD
A	REL		2011/05/05	



## Electrical Specifications @25°C

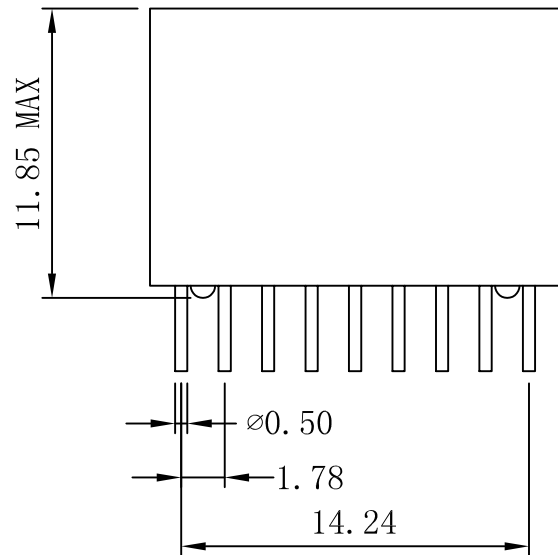
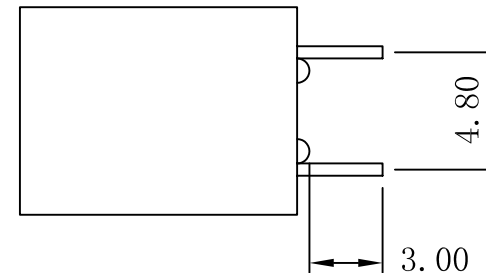
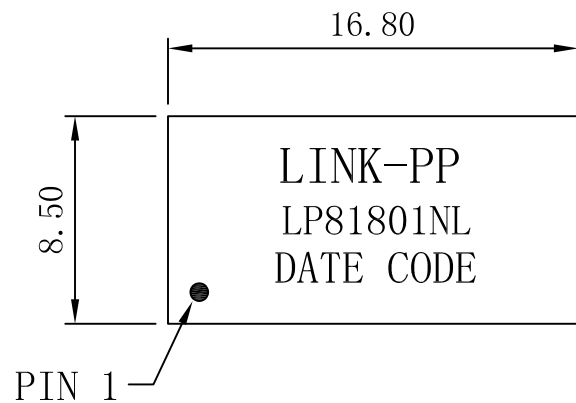
1. Turns Ratio: 1CT : 1CT  $\pm 5\%$
2. Hipot: 1500Vrms
3. OCL: 350uH Min  
@ 100KHz, 200mV, with 8mA DC Bias
4. LL: 0.5uH Max @ 100KHz, 200mV
5. Cw/w: 100pF Typ @ 100KHz, 200mV
6. DCR: 1.4  $\Omega$  Max
7. Insertion Loss:  
1-100MHz: -1.0dB Max
8. Return Loss:  
1-30MHz: -18dB Min;      40MHz: -14.4dB Min;  
50MHz: -13.1dB Min;    60-80MHz: -12dB Min
9. Crosstalk:  
30MHz: -40dB Min;      60MHz: -35dB Min;  
100MHz: -30dB Min
10. Common Mode Rejection:  
30MHz: -40dB Min;      60MHz: -35dB Min;  
100MHz: -30dB Min
11. Operating temperature: 0°C ~ 70°C.



X:X	$\pm 0.20$	APPD:	LINK-PP INT'L TECHNOLOGY CO., LIMITED	
X:XX	$\pm 0.10$	CHKD:	Title: 100/1000Base-Tx Transformer	
X:XXX	$\pm 0.05$	DR: TOM	PART NO.: LP81801NL	
ANGLES	$\pm 1^\circ$	UNIT: mm		
	SCALE: 2/1	SHEET: 1/2	REV: A	DWG NO.: LP11050503

# Mechanical :

REV.	ECN NO.	DESCRIPTION	DATE	APPD
A	REL		2011/05/05	



## NOTES:

1. Magnetic designs to support PHY.
2. Complies with IEEE 802.3 standards including 350uH min OCL with 8mA bias.
3. Lead free for external pins.



X:X	$\pm 0.20$	APPD:	LINK-PP INT'L TECHNOLOGY CO., LIMITED	
X:XX	$\pm 0.10$	CHKD:	Title: 100/1000Base-Tx Transformer	
X:XXX	$\pm 0.05$	DR: TOM	PART NO. : LP81801NL	
ANGLES	$\pm 1^\circ$	UNIT: mm		
	SCALE: 2/1	SHEET: 2/2	REV: A	DWG NO. : LP11050503