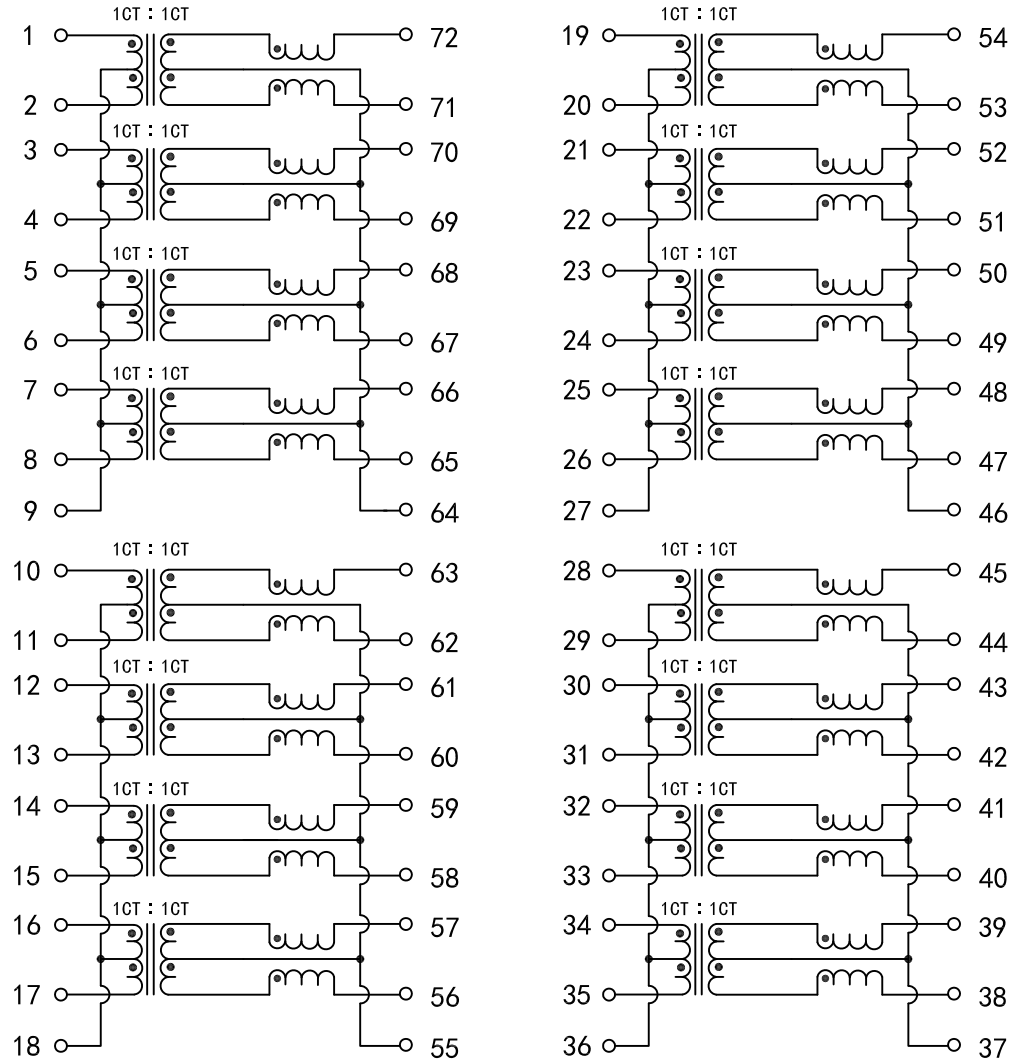


# Schematic:



| REV. | ECN NO. | DESCRIPTION | DATE       | APPD |
|------|---------|-------------|------------|------|
| A    | REL     |             | 2010/11/24 |      |

## Electrical Specifications @25°C

1. OCL:  
350uH Min @100KHz, 100mV, 8mADC Bias.
2. Turns Ratio(Pri/Sec): 1CT : 1CT  $\pm 5\%$
3. Insertion Loss:  
100KHz-100MHz:-1.0dB Max
4. Return Loss(dB Min)@ Load 100  $\Omega$ :  

|             |              |
|-------------|--------------|
| 1-30MHz:-18 | 40MHz:-14.4  |
| 50MHz:-13.1 | 60-80MHz:-12 |
| 100MHz:-12  |              |
5. Cross talk Attenuation(dB Min):  

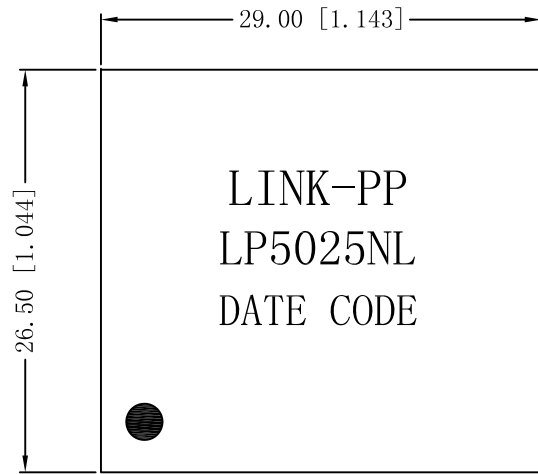
|            |           |
|------------|-----------|
| 30MHz:-40  | 60MHz:-35 |
| 100MHz:-30 |           |
6. Differential to Common Mode Rejection:  

|                  |                 |
|------------------|-----------------|
| 30MHz:-40dB Min  | 60MHz:-35dB Min |
| 100MHz:-30dB Min |                 |
7. Hipot: 1500Vrms (Input to Output)
8. Operating Temperature: 0°C ~ +70°C.
9. Storage Temperature: -25°C ~ +105°C

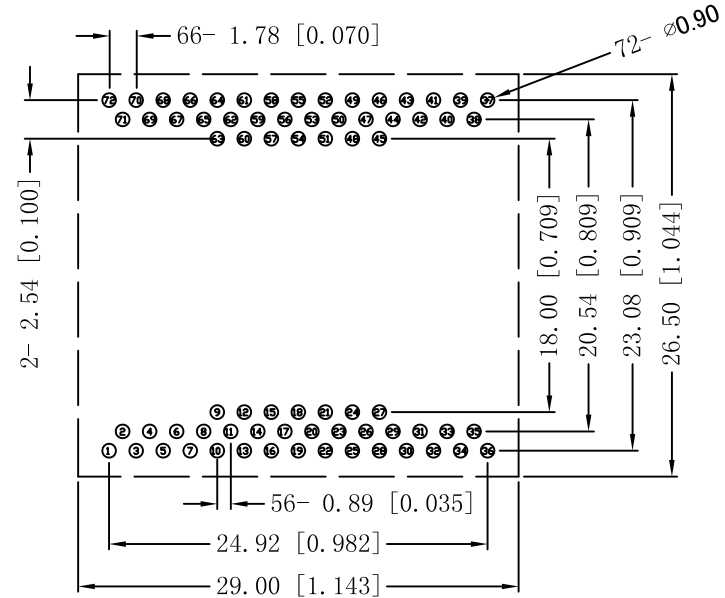


|                          |                  |   |            |                            |
|--------------------------|------------------|---|------------|----------------------------|
| X:X $\pm 0.30$ [0.012]   | APPD:            | LINK-PP INT'L TECHNOLOGY CO., LIMITED             |            |                            |
| X:XX $\pm 0.25$ [0.010]  | CHKD:            | TITLE:<br>1000 Base-T Quad Port Magnetics Modules |            |                            |
| X:XXX $\pm 0.05$ [0.002] | DR: TOM          | PART NO.: LP5025NL                                |            |                            |
| ANGLES $\pm 1^\circ$     | UNIT: mm[Inches] | SCALE: 2/1  | SHEET: 1/2 | REV: A DWG NO.: LP10112420 |

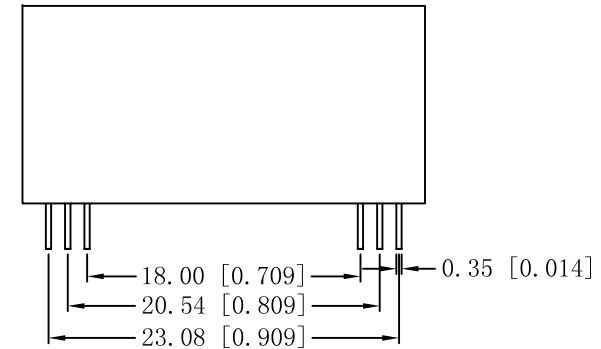
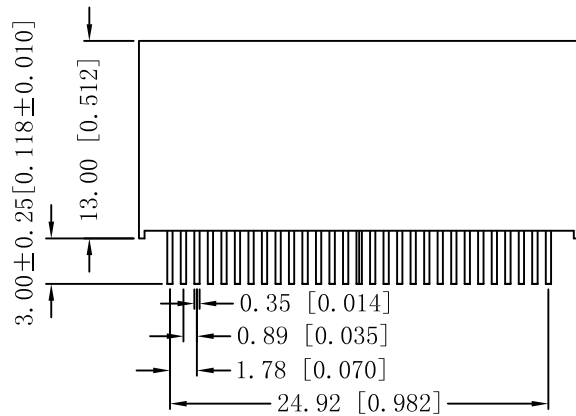
# Mechanical:



| REV. | ECN NO. | DESCRIPTION | DATE       | APPD |
|------|---------|-------------|------------|------|
| A    | REL     |             | 2010/11/24 |      |



SUGGESTED PCB LAYOUT(TOP VIEW)



## NOTES:

1. Designed to support application, such as SOHO (ADSL modems), LAN-on-Motherboard (LOM), hub and Switches.
2. With various Turns Ratios.
3. Meets all IEEE Standards including 350uH OCL with 8mA bias current.
4. RoHS "NL" peak solder rating 260°C ± 5°C.



|                    |                  |   |
|--------------------|------------------|---|
| X:X ±0.30[0.012]   | APPD:            | LINK-PP INT'L TECHNOLOGY CO., LIMITED             |
| X:XX ±0.25[0.010]  | CHKD:            |   |
| X:XXX ±0.05[0.002] | DR: TOM          | TITLE:<br>1000 Base-T Quad Port Magnetics Modules |
| ANGLES ±1°         | UNIT: mm[Inches] | PART NO.: LP5025NL                                |
|                    | SCALE: 2/1       | SHEET: 2/2  |
|                    | REV: A           | DWG NO.: LP10112420                               |