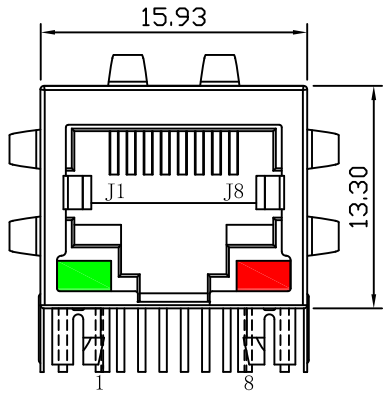
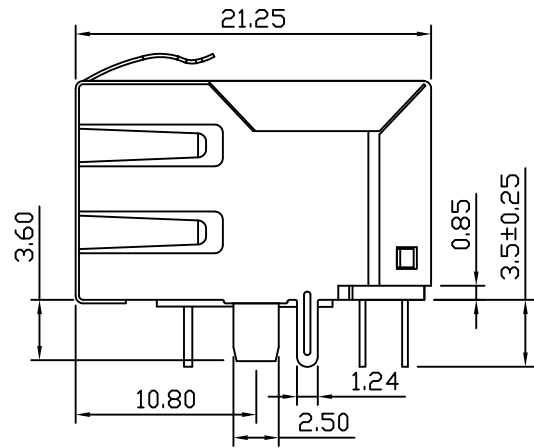


# Mechanical:

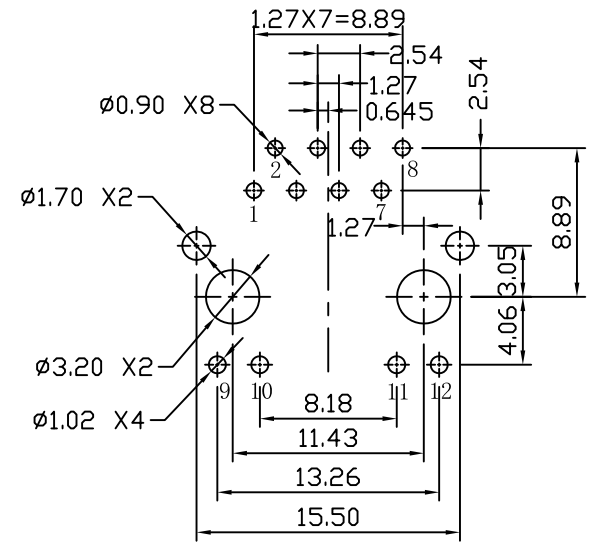
REV.	ECN NO.	DESCRIPTION	DATE	APPD
A	REL		24/10/2009	



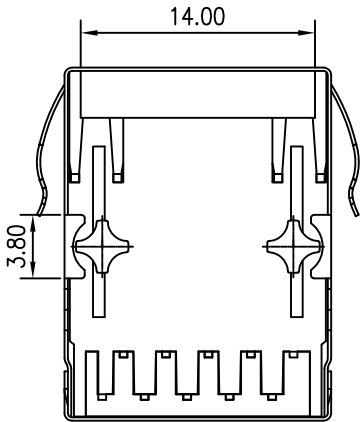
Front Side View



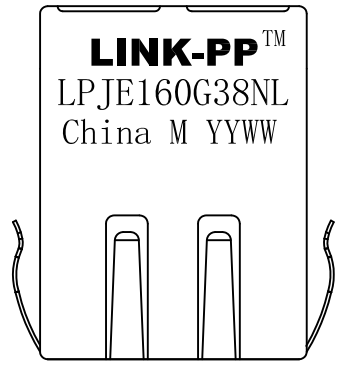
Left Side View



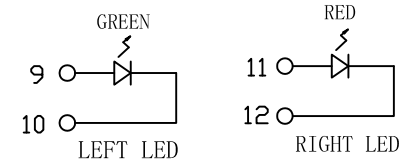
SUGGESTED PCB LAYOUT (TOP VIEW)



Bottom Side View



Top Side View



Emitting Color	λ p(nm)	VF@IF=20mA	IR @VR=5V
GREEN	565	1.8-2.6V	10 μ A max
RED	620	1.8-2.6V	10 μ A max

**NOTES:**

**Electrical:**

- 1. Voltage rating : 125 VAC RMS
- 2. Current Rating : 1.5 AMP
- 3. Contact resistance : 50 mΩ Max
- 4. Insulation resistance : 500 MΩ Min @500V DC
- 5. Dielectric strength : 1000 VAC RMS 60Hz, 1MIN.

**MECHANICAL:**

- 1. Housing & Insert Material : PBT UL94V-0.
- 2. Contact Material : Phospor bronze T=0.35mm
- 3. Shield : 0.20-0.25mm Thickness Brass With Tin Plated
- 4. Operating Life : 750 Cycles Min.
- 5. Contact plating : Gold 6 micro-inches min. In contact area.

**ENVIRONMENTAL:**

- 1. Storage : -40°C ~ +85°C
- 2. Operation : -40°C ~ +85°C.
- 3. Wave solder temperature : 265°C MAX, 5 Sec.
- 4. UL Certification : File Number E484635.

X:X ±0.30	APPD:	LINK-PP INT'L TECHNOLOGY CO., LIMITED
X:XX ±0.25	CHKD:	
X:XXX ±0.05	DR: TOM	TITLE: RJ45 1×1 CONNECTOR
ANGLES ±1°	UNIT: mm	PART NO.: LPJE160G38NL
	SCALE: 2/1	SHEET: 1/1
	REV: A	DWG NO.: LP09102401