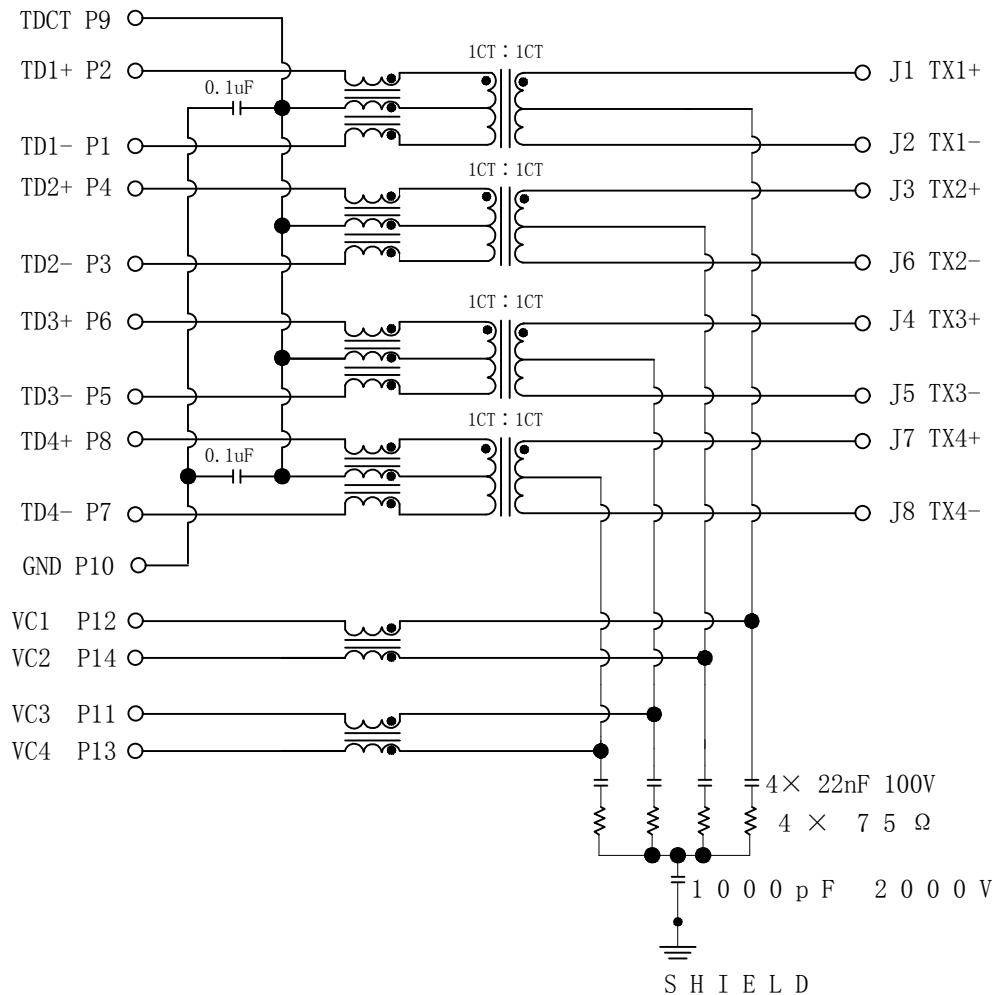


Schematic:

REV.	ECN NO.	DESCRIPTION	DATE	APPD
A	REL		2017/08/05	

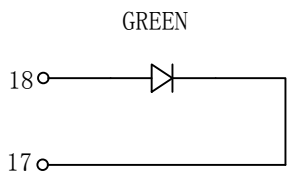
PC BOARD CONNECTIONS



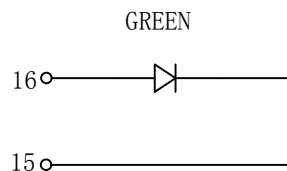
RJ45 CONNECTOR

Electrical Specification @25°C

1. Turns Ratio ($\pm 2\%$): 1CT : 1CT
2. OCL: 120uH Min
@100KHz, 100mVrms, 11mA DC bias
3. DCR: 1.2 Ω max
4. Insertion Loss (dB Max):
1MHz-40MHz: -0.8dB 40MHz-125MHz: -1.2dB
125MHz-250MHz: -3.0dB
5. Return Loss (dB Min):
1-40MHz: -16 40-80MHz: -14
100-125MHz: -12 125-250MHz: -8
6. Common to Mode Rejection (dB Typ):
1-250MHz: -40
7. Hipot: 1500Vrms/1minute
8. Operating Temperature: 0°C ~ +70°C.



LEFT LED



RIGHT LED



X:X	± 0.30	APPD:	LINK-PP INT'L TECHNOLOGY CO., LIMITED	
X:XX	± 0.25	CHKD:		
X:XXX	± 0.05	DR: James	TITLE: RJ45 Transformer 2.5G Base-T 2x4 Port For PoE+ Application	
ANGLES	$\pm 1^\circ$	UNIT: mm	PART NO.: LPJG47039AWN	
	SCALE: 2/1	SHEET: 1/2	REV: A	DWG NO.: LP17080509

