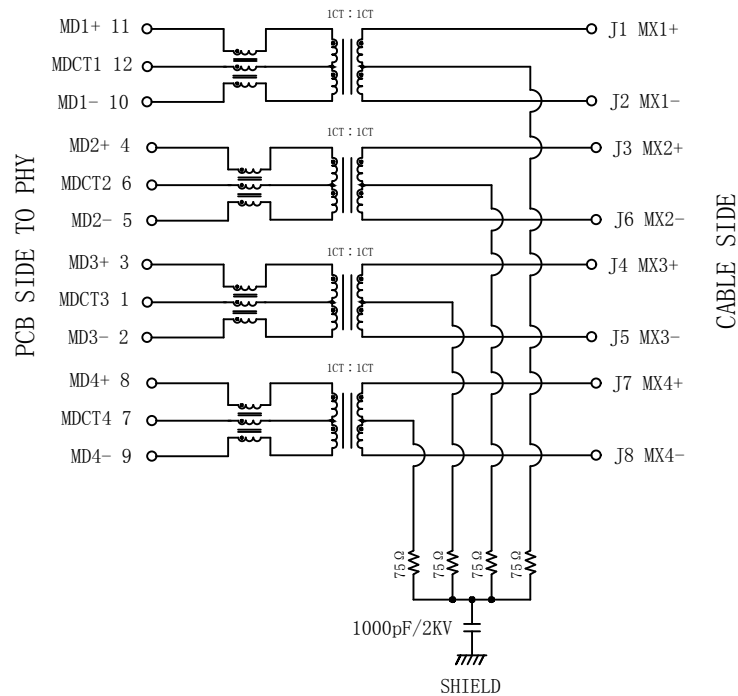


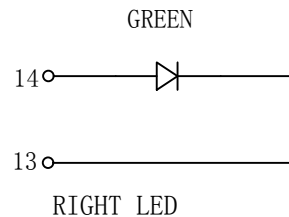
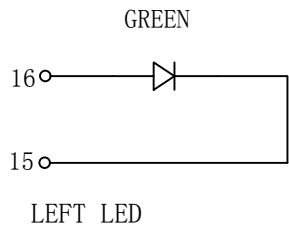
Schematic:

REV.	ECN NO.	DESCRIPTION	DATE	APPD
A	REL		2017/08/05	



Electrical Specification @25°C

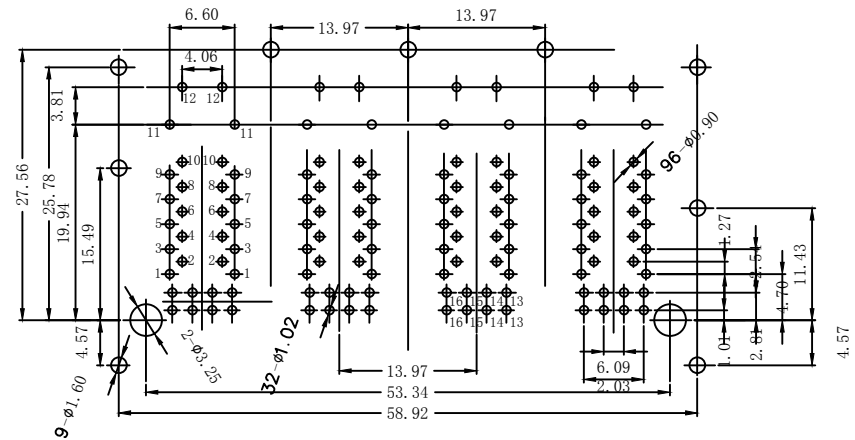
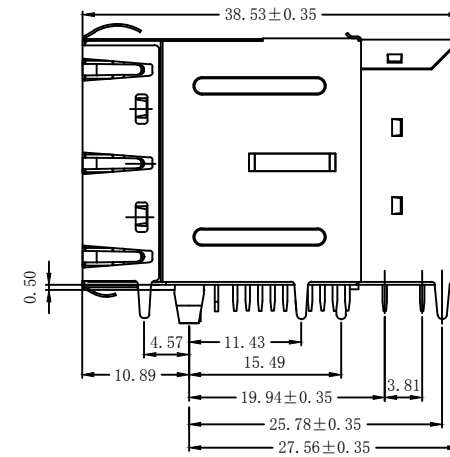
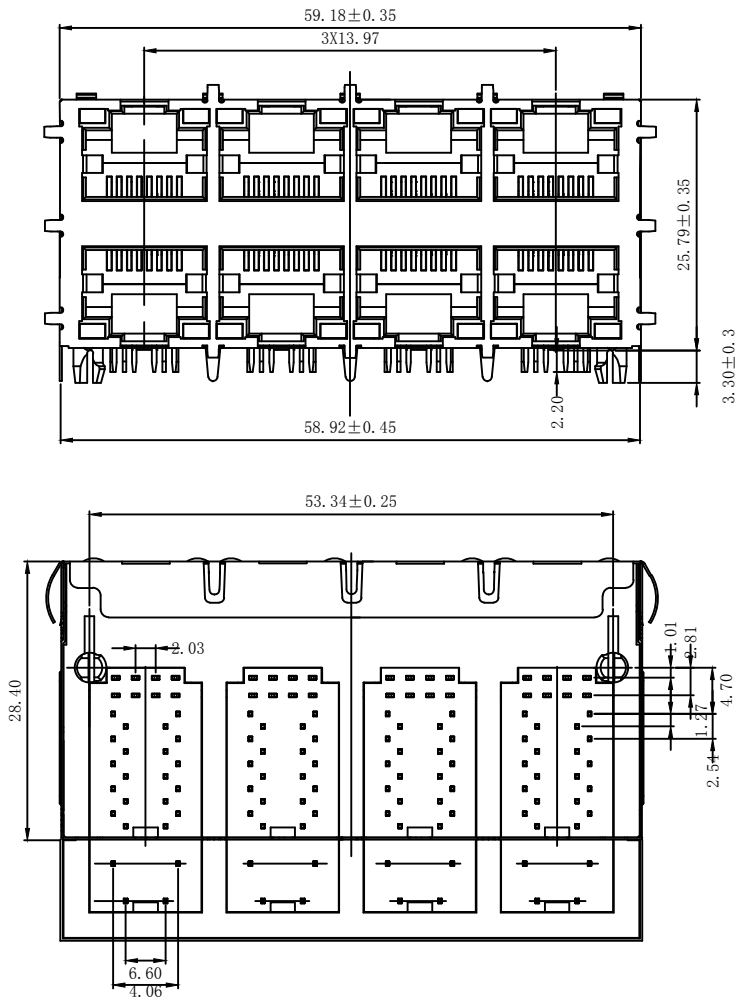
- Turns Ratio ($\pm 2\%$): 1CT : 1CT
- OCL: 200uH Min
@100KHz, 100mVrms, Lp
- DCR: 1.2 Ω max
- Insertion Loss:
100KHz-10MHz: -1.0dB Max
100KHz-650MHz: -3.0dB Max
- Return Loss (dB Min):
1-40MHz: -18 40-400MHz: -8
400-500MHz: -5
- Crosstalk (dB Typ):
1-500MHz: -30
- Common to Mode Rejection (dB Typ):
1-500MHz: -25
- Hipot: 1500Vrms/1minute
- Operating Temperature: -20°C ~ +70°C.



X:X	± 0.20	APPD:	LINK-PP INT'L TECHNOLOGY CO., LIMITED	
X:XX	± 0.10	CHKD:	TITLE: RJ45 Transformer 2.5G Base-T W/LED. 2x4 Port For PoE Application	
X:XXX	± 0.05	DR: James	PART NO. : LPJG47036AWN	
ANGLES	$\pm 1^\circ$	UNIT: mm		
	SCALE: 2/1	SHEET: 1/2	REV: A	DWG NO. : LP17080508

Mechanical:

REV.	ECN NO.	DESCRIPTION	DATE	APPD
A	REL		2017/08/05	



SUGGESTED PCB LAYOUT (TOP VIEW)

NOTES:

1. Designed to support application, such as SOHO (ADSL modems), LAN-on-Motherboard (LOM), hub and Switches.
2. Meets IEEE 802.3af specification
3. With a forward current of 20mA, Absolute maximum Ratings
4. Connector Materials:
Housing: Thermoplastic UL94V-0
Contact/Shield: Copper alloy
Shield plating: Nickel
Contact plating: Gold 6 micro-inches min. In contact area.
5. Wave solder tip temperature: 265°C Max, 5 Sec Max.
6. UL Certification: File Number E484635



X:X	±0.20	APPD:	LINK-PP INT'L TECHNOLOGY CO., LIMITED	
X:XX	±0.10	CHKD:	TITLE: RJ45 Transformer 2.5G Base-T W/LED. 2x4 Port For PoE Application	
X:XXX	±0.05	DR: James	PART NO.: LPJG47036AWN	
ANGLES	±1°	UNIT: mm	DWG NO.: LP17080508	
	SCALE: 2/1	SHEET: 2/2	REV: A	DWG NO.: LP17080508