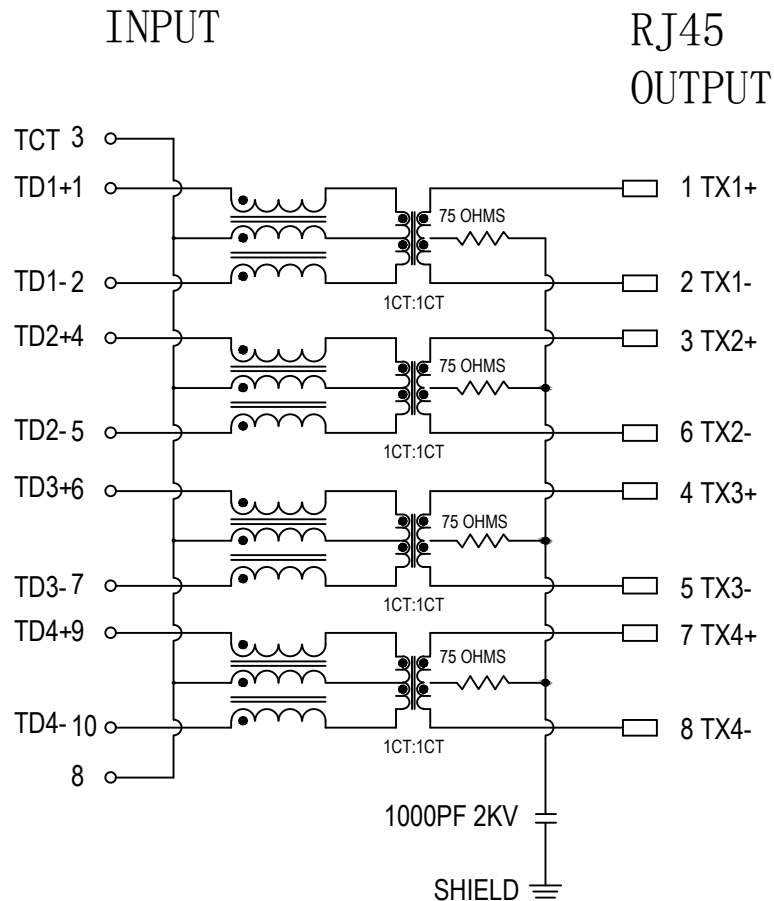


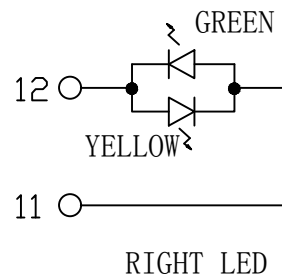
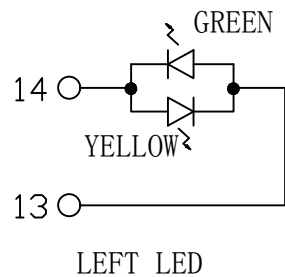
Schematic:

REV.	ECN NO.	DESCRIPTION	DATE	APPD
A	REL		2017/06/19	



Electrical Specifications @25°C

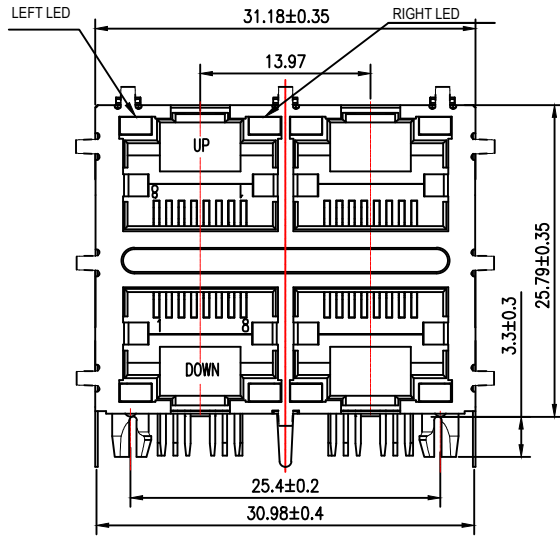
- Turns Ratio:  
PRI:SEC = 1CT:1 ±2%
- OCL: 200uH MIN  
@100KHz, 100mV, 8mADC
- Insertion Loss(dB MAX):  
1~40MHz:-0.8    40~125MHz:-1.2  
125~650MHz:-3.0
- Return Loss(dB MIN):  
1~40MHz:-18    40~100MHz:-14  
100~125MHz:-8    125~500MHz:-5
- Common Mode Rejection:  
1~250MHz: -40dB MIN
- Isolation: 1500Vrms MIN
- Operating Temperature: 0°C ~+70°C.



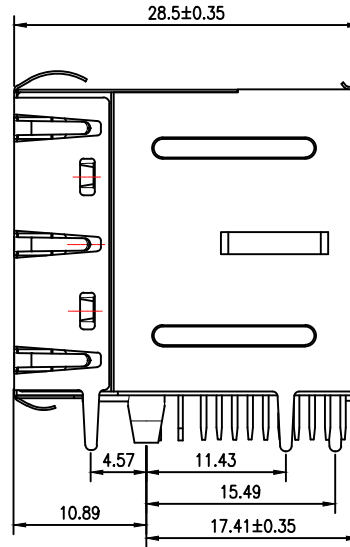
X:X ±0.30	APPD:	LINK-PP INT'L TECHNOLOGY CO., LIMITED		
X:XX ±0.25	CHKD:	TITLE: 2*2 RJ45 Connector with 10G Base-T Integrated Magnetics		
X:XXX ±0.05	DR: James	PART NO.: LPJM9029A4NL		
ANGLES ±1°	UNIT: mm			
	SCALE: 2/1	SHEET: 1/2	REV: A	DWG NO.: LP17061927

# Mechanical:

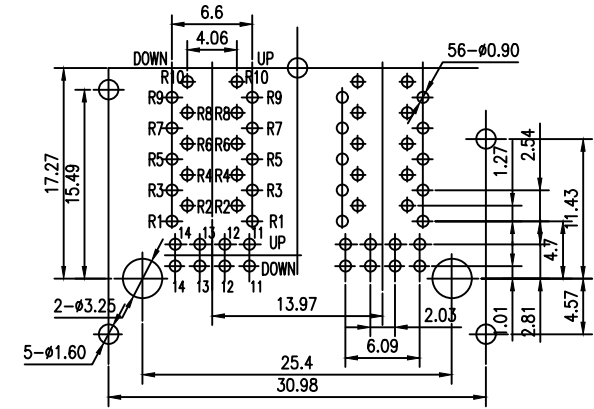
REV.	ECN NO.	DESCRIPTION	DATE	APPD
A	REL		2017/06/19	



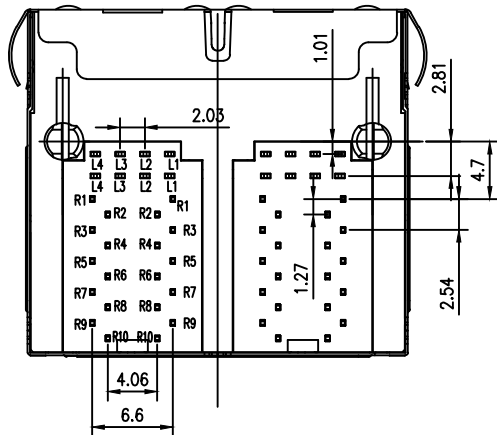
Front Side View



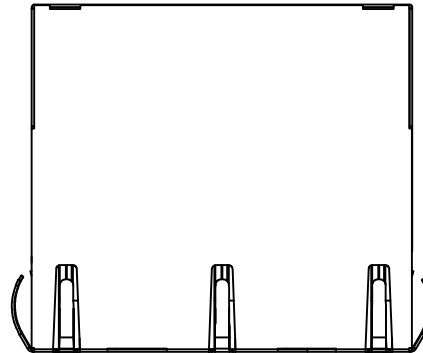
Left Side View



Suggested PCB Layout (Top View)



Bottom Side View



Top Side View

## NOTES:

1. Meets IEEE 802.3 specification
2. Connector Materials:  
 Housing Material: Thermoplastic PBT+30%G.F UL94V-0  
 Contact Material: Phosphor Bronze C5210R-EH Thickness=0.35mm  
 Pins: Brass C2680R-H Thickness=0.35mm  
 Shield: Copper alloy Brass H65Y Thickness=0.20mm  
 Shield plating: Nickel  
 Contact plating: Gold 6 micro-inches min. In contact area.
3. Wave solder tip temperature: 265°C Max, 5 Sec Max
4. UL Certification: File Number E484635.



X:X	±0.30	APPD:	LINK-PP INT'L TECHNOLOGY CO., LIMITED	
X:XX	±0.25	CHKD:	TITLE: 2*2 RJ45 Connector with 10G Base-T Integrated Magnetics	
X:XXX	±0.05	DR: James	PART NO.: LPJM9029A4NL	
ANGLES	±1°	UNIT: mm	DWG NO.: LP17061927	
	SCALE: 2/1	SHEET: 2/2	REV: A	