

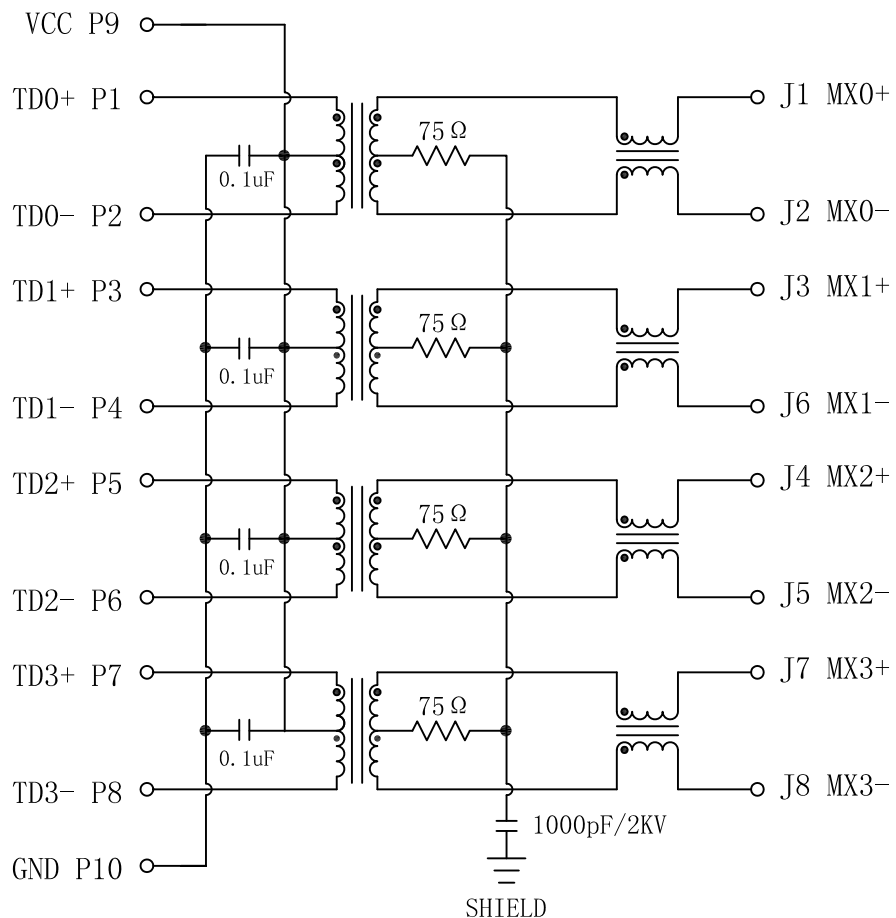
Schematic:

REV.	ECN NO.	DESCRIPTION	DATE	APPD
A	REL		30/04/2008	

INPUT

OUTPUT

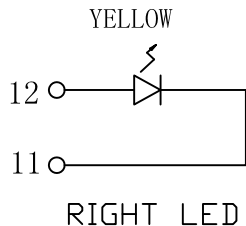
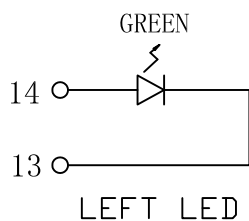
PCB CONNECTIONS



RJ45 CONNECTOR

Electrical Specifications @25°C

- Turns Ratio:
PRI:SEC = 1CT:1CT ±2%
- OCL:
350uH MIN @ 100KHz, 100mV, 8mADC
- Insertion Loss:
1~100MHz:-1.0dB MAX
- Return Loss(dB MIN):
1~30MHz:-18 30~60MHz:-14
60~80MHz:-12
- Crosstalk(dB TYP):
1~30MHz:-40 30~60MHz:-35
60~80MHz:-30
- Differential to Common Mode Rejection:
1~50MHz: -30dB TYP
50~150MHz: -20dB TYP
- CMRR: 1~100MHz:-30dB MIN
- Isolation: 1500Vrms MIN
- Operating Temperature Range: -40~+85°C.



X:X	±0.30	APPD:	LINK-PP INT'L TECHNOLOGY CO., LIMITED	
X:XX	±0.25	CHKD:	TITLE: RJ45 2×1 w/Transformer	
X:XXX	±0.05	DR: TOM	1000 Base-T w/LED	
ANGLES	±1°	UNIT: mm	PART NO.: LPJG17561BHNL	
	SCALE: 2/1	SHEET: 2/2	REV: A	DWG NO.: LP08043013

