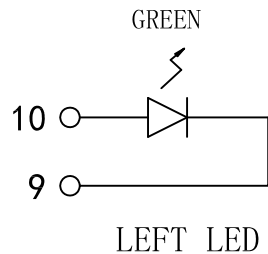
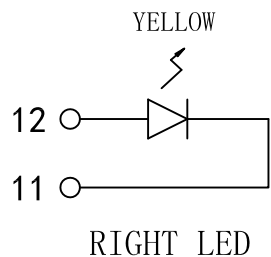
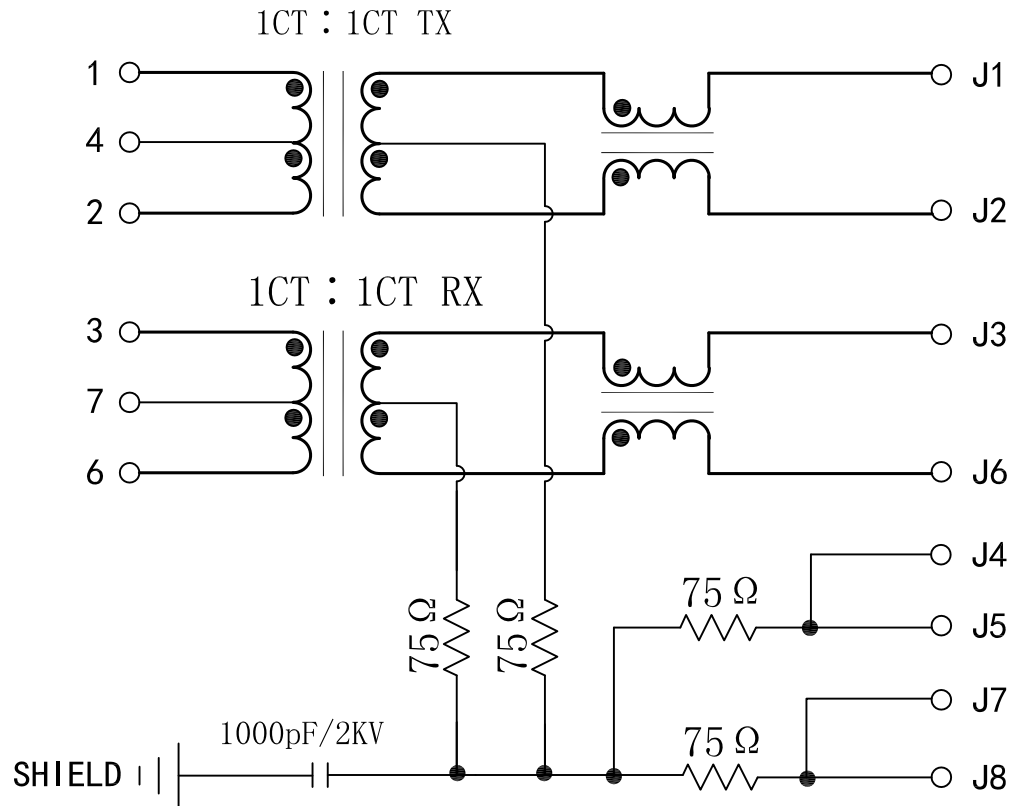


Schematic:



REV.	ECN NO.	DESCRIPTION	DATE	APPD
A	REL		2012/05/07	

Electrical Specifications:

TEST NOTES (25±5°C)

1. TR: (100KHZ, 100mV);

TX=1CT:1CT±2% RX=1CT:1CT±2%

2. LX: (100KHz, 100mV, 8mA, DC Bias)

PINS: (P1, P2), (P3, P6): 350uH MIN

3. HIPOT:

PINS (P1, P2) TO (J1, J2): 1500VAC FOR 60 SECONDS

PINS (P3, P6) TO (J3, J6): 1500VAC FOR 60 SECONDS

4. INSERTION LOSS:

-1.0dB MAX @ 1.0MHz TO 65MHz

5. RETURN LOSS:

-20dB MIN @ 1MHz TO 10MHz

-16dB MIN @ 10MHz TO 30MHz

-12dB MIN @ 30MHz TO 60MHz

-10dB MIN @ 60MHz TO 100MHz

6. CROSS TALK:

-40dB MIN @1MHz TO 30MHz

-35dB MIN @30MHz TO 60MHz

-30dB MIN @60MHz TO 100MHz

7. COMMON TO COMMON MODE REJECTION:

-30dB MIN @1MHz TO 50MHz

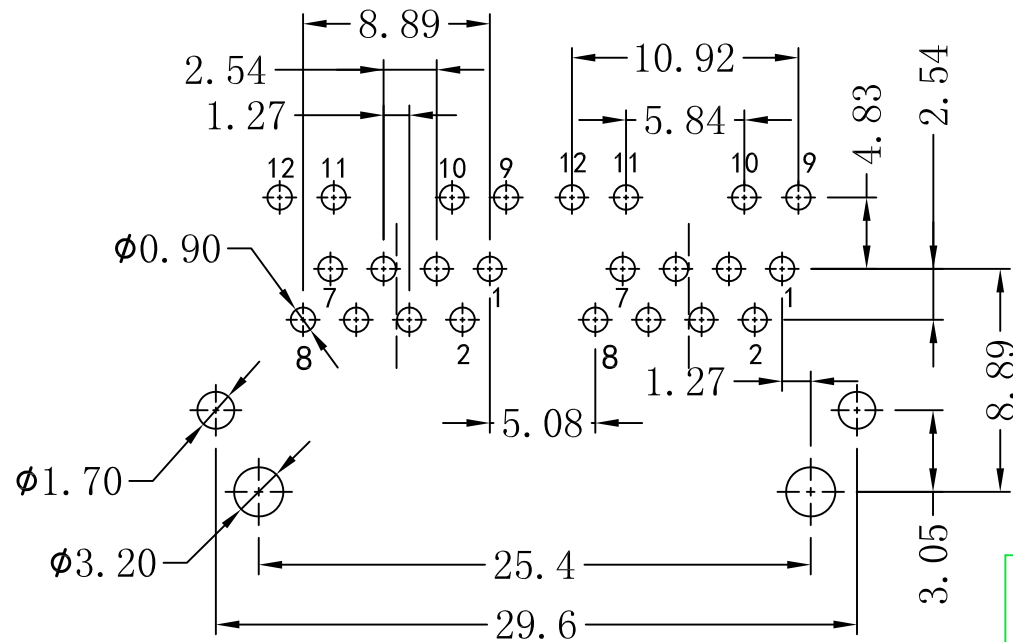
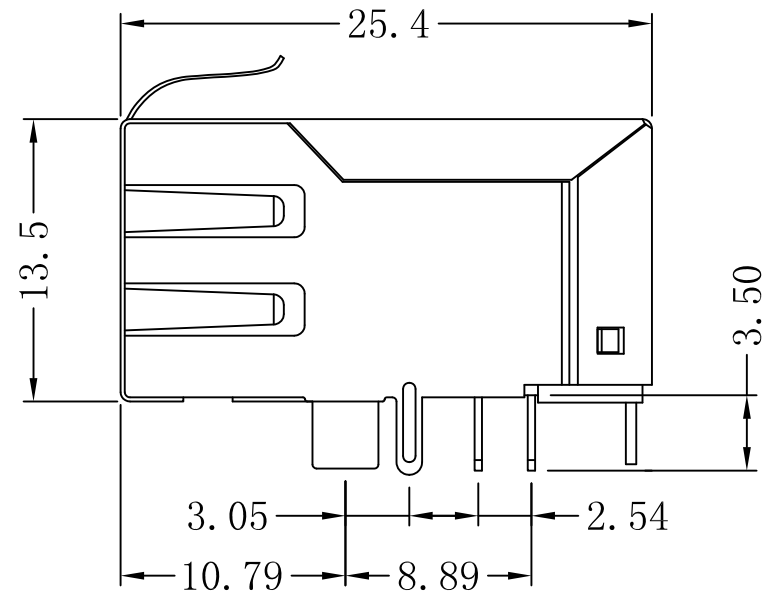
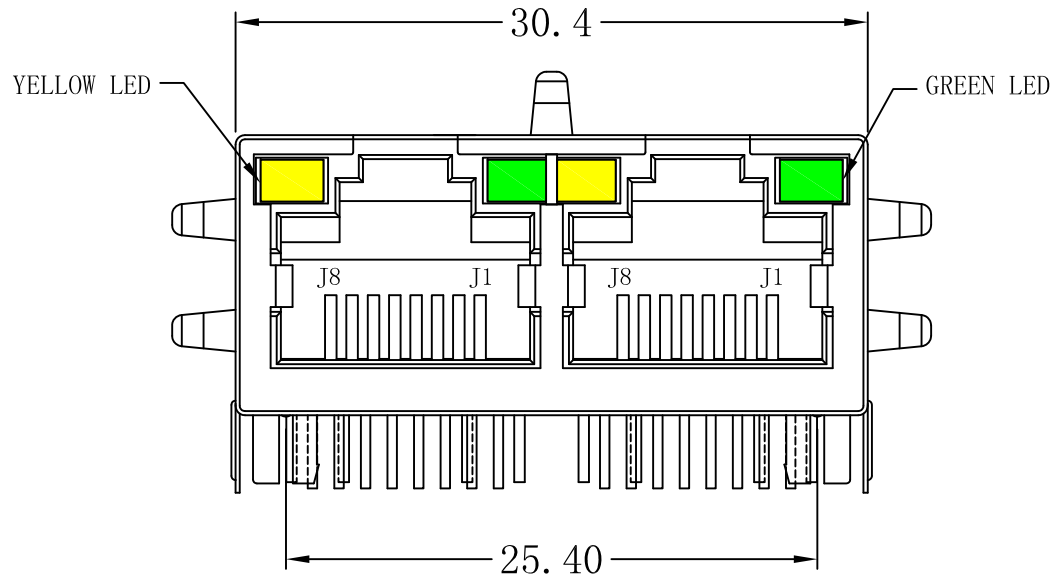
-20dB MIN @50MHz TO 150MHz

8. OPERATING TEMPERATURE: 0°C to 70°C.

X:X	±0.30	APPD:	LINK-PP INT'L TECHNOLOGY CO., LIMITED	
X:XX	±0.25	CHKD:	TITLE: RJ45 Connector With 10/100 BASE-T Integrated Magnetic TAB-UP	
X:XXX	±0.05	DR: TOM	PART NO.: LPJ21028AGNL	
ANGLES	±1°	UNIT: mm		
	SCALE: 2/1	SHEET: 1/2	REV: A	DWG NO.: LP12050702

Mechanical :

REV.	ECN NO.	DESCRIPTION	DATE	APPD
A	REL		2012/05/07	



SUGGESTED PCB LAYOUT(TOP VIEW)



NOTES:

1. Designed to support application, such as SOHO (ADSL modems), LAN-on-Motherboard (LOM), hub and Switches.
2. Meets IEEE 802.3 specification
3. Connector Materials:
Housing: Thermoplastic UL94V-0
Contact/Shield: Copper alloy
Shield plating: Nickel
Contact plating: Gold 6 micro-inches min. In contact area.
4. Wave solder tip temperature: 265°C Max, 5 Sec Max.

X:X	±0.30	APPD:	LINK-PP INT'L TECHNOLOGY CO., LIMITED	
X:XX	±0.25	CHKD:	TITLE: RJ45 Connector With 10/100 BASE-T Integrated Magnetic TAB-UP	
X:XXX	±0.05	DR: TOM	PART NO.: LPJ21028AGNL	
ANGLES	±1°	UNIT: mm		
	SCALE: 2/1	SHEET: 2/2	REV: A	DWG NO.: LP12050702