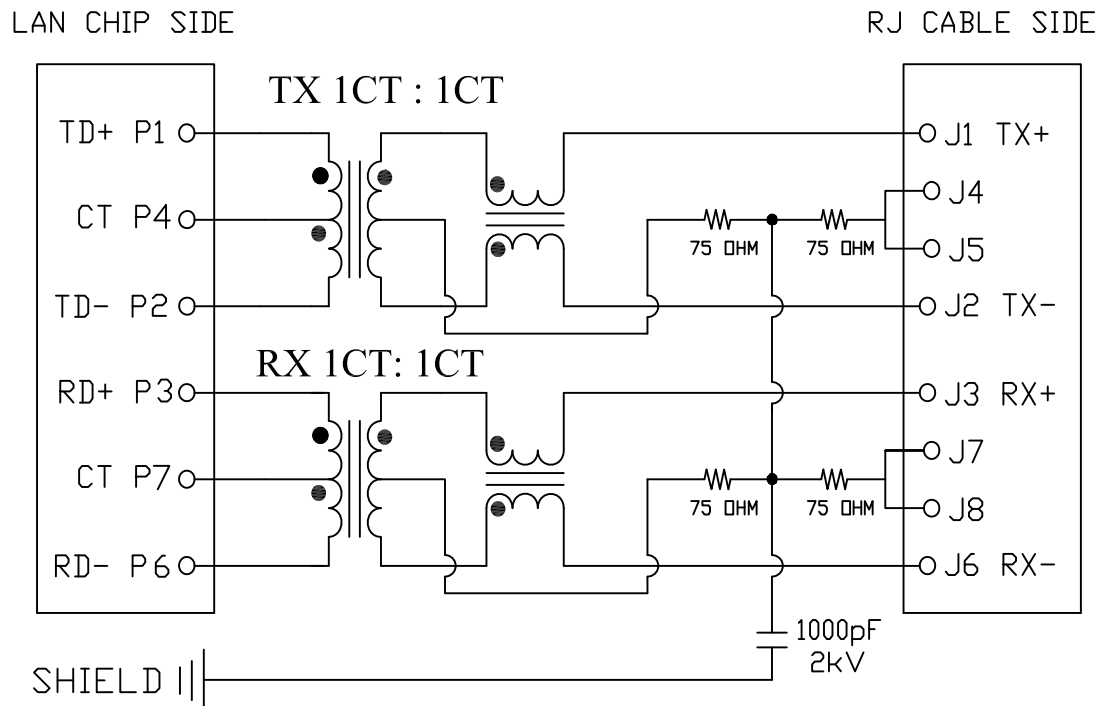


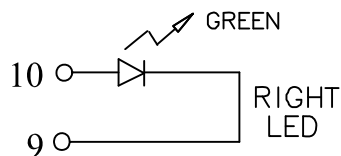
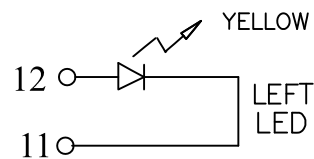
Schematic:

REV.	ECN NO.	DESCRIPTION	DATE	APPD
A	REL		2017/10/24	



Electrical Specifications @ 25°C

- Turns Ratio (@50KHz, 0.1V):
 TX = 1CT : 1CT ±2%
 RX = 1CT : 1CT ±2%
- INDUCTANCE (@100KHz, 100mV, 8mA DC BIAS):
 J1-J2; J3-J6; J4-J5; J7-J8: 350uH Nin
- Insertion Loss:
 1~100MHz: -1.0dB Max
- Return Loss (dB Min.):
 1~30MHz: -18 30~45MHz: -16
 45~60MHz: -14 60~80MHz: -12
- Crosstalk:
 1~100MHz: -35dB Min
- Common Mode Rejection:
 1~100MHz: -35dB Min
- Isolation Voltage: 2250VDC, 1mA, 60Sec
- Operating Temperature Range: -40°C ~ +85°C.

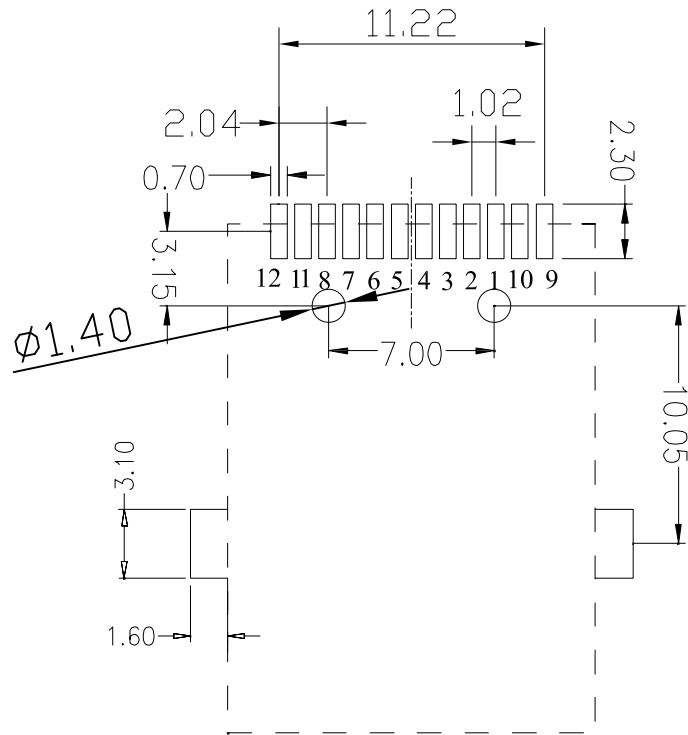
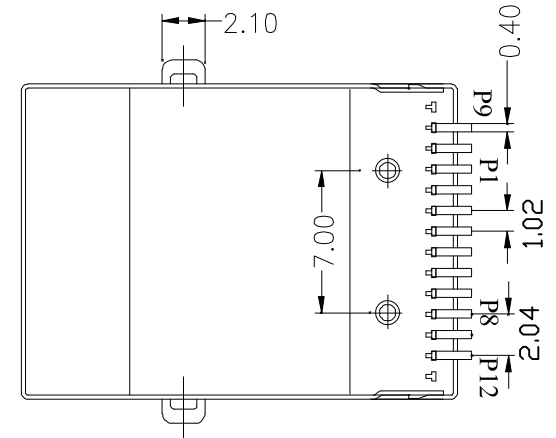
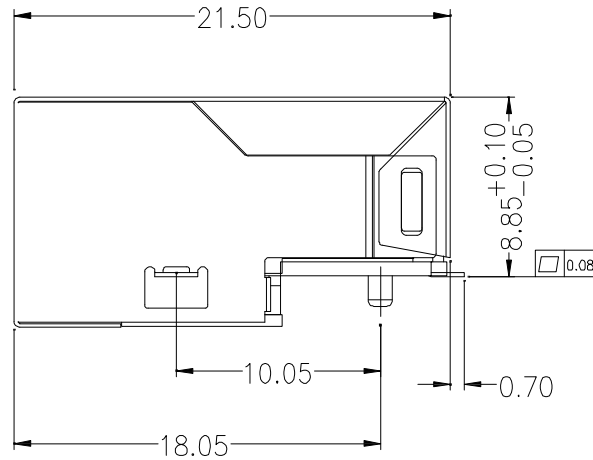
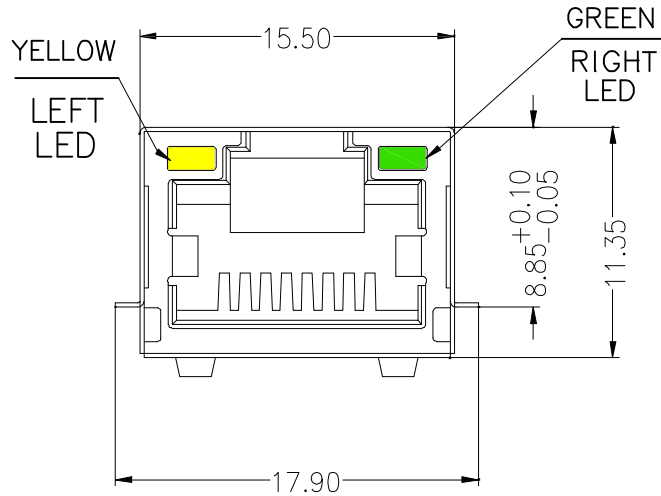


Emitting Color	λ p(nm)	VF@IF=20mA	IR @VR=5V
GREEN	565	1.8~2.4V	10 μ A max
YELLOW	585	1.8~2.4V	10 μ A max

X:X	±0.38	APPD:	LINK-PP INT'L TECHNOLOGY CO., LIMITED
X:XX	±0.25	CHKD:	
X:XXX	±0.13	DR: TOM	TITLE: Surface Mount 1×1 Tab-Up Jack With 10/100 Magnetic
ANGLES	±1°	UNIT: mm	PART NO.: LPJ19914BGNL
	SCALE: 2/1	SHEET: 1/2	REV: A DWG NO: LP17102401

Mechanical:

REV.	ECN NO.	DESCRIPTION	DATE	APPD
A	REL		2017/10/24	



Suggested PCB Layout(Component side view)

NOTES:

1. Designed to support application, such as SOHO (ADSL modems), LAN-on-Motherboard (LOM), hub and Switches.
2. Meets IEEE 802.3 specification
3. Connector Materials:
Housing: Thermoplastic UL94V-0
Contact/Shield: Copper alloy
Shield plating: Nickel
Contact plating: Gold 6 micro-inches min. In contact area.
4. For RoHS part add suffix NL
5. Reflow soldering 260°C degC for 5~10 sec.
6. UL Certification: File Number E484635.



X:X	±0.38	APPD:	LINK-PP INT'L TECHNOLOGY CO., LIMITED
X:XX	±0.25	CHKD:	
X:XXX	±0.13	DR: TOM	TITLE: Surface Mount 1×1 Tab-Up Jack With 10/100 Magnetic
ANGLES	±1°	UNIT: mm	PART NO.: LPJ19914BGNL
	SCALE: 2/1	SHEET: 2/2	REV: A DWG NO: LP17102401