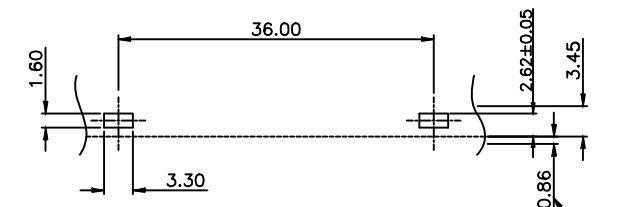
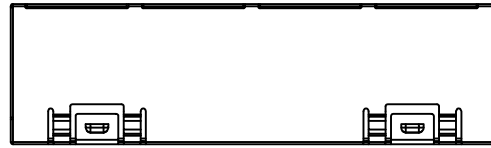
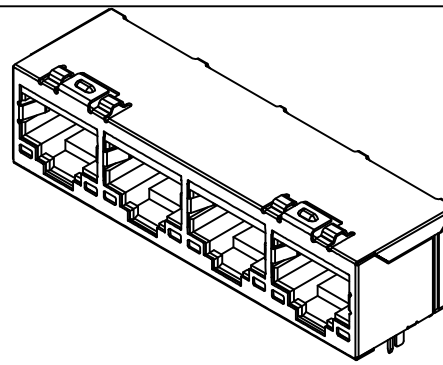


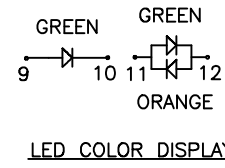
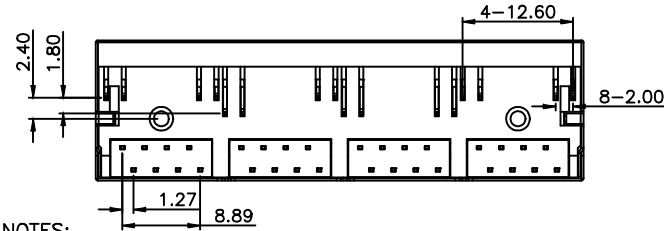
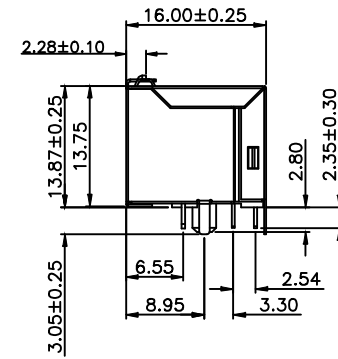
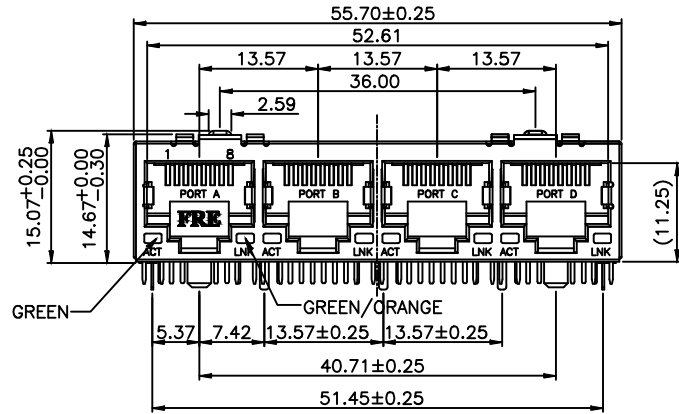
# Mechanical:

REV.	ECN NO.	DESCRIPTION	DATE	APPD
A	REL		2017/08/11	



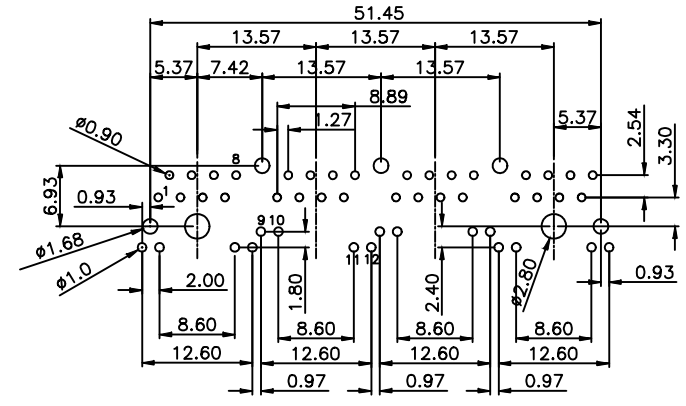
RECOMMENDED BRACKET CUTOUT

BRACKET THICKNESS

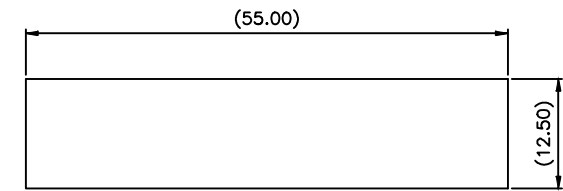


LED COLOR DISPLAY

LPJE164XA27NL



PC Board Layout Component Side Shown(1.6mm)



RECOMMENDED PANEL CUTOUT

**NOTES:**

**ELECTRICAL:**

- VOLTAGE RATING : 125 VAC RMS .
- CURRENT RATING : 1.5 AMP .
- CONTACT RESISTANCE : 40 MILLIOHMS MAX.
- INSULATION RESISTANCE : 1000 MEGOHMS MIN @ 500 VDC.
- DIELECTRIC STRENGTH : 1000 VDC RMS 60Hz, 1MIN.
- LED 1(GREEN) WAVELENGTH : 565±5 nM.
- LED 2(Bi-COLOR) WAVELENGTH : GREEN: 565±5 nM; ORANGE:613±5 n

**MECHANICAL:**

- HOUSING MATERIAL : HALOGEN FREE NYLON. UL94V-0. COLOR-BLACI
- INSERT MATERIAL : HALOGEN FREE NYLON. UL94V-0. COLOR-BLACI
- CONTACT MATERIAL : PHOSPHOR BRONZE t=0.35 mm.  
: GOLD PLATING OVER NICKEL.
- SHIELD MATERIAL : COPPER ALLOY  
PLATED NI
- OPERATING LIFE: 750 CYCLES MIN.

**ENVIRONMENTAL:**

- STORAGE: -40°C TO +85°C.
- OPERATION: -40°C TO +85°C
- WAVE SOLDERING TEMPERATURE: 255~265°C (5~10 SECOND)

Gold Plating	"X"
Gold Flash	0
1.5u"	1 <input type="checkbox"/>
3u"	2 <input type="checkbox"/>
6u"	3 <input type="checkbox"/>
15u"	4 <input type="checkbox"/>
30u"	5 <input type="checkbox"/>
50u"	6 <input type="checkbox"/>



X:X	±0.25	APPD:	LINK-PP INT'L TECHNOLOGY CO., LIMITED
X:XX	±0.10	CHKD:	
X:XXX	±0.05	DR: James	TITLE: RJ45 1x4 CONNECTOR(8P 8C)
ANGLES	±1°	UNIT: mm/Inch	PART NO.: LPJE1644A27NL
	SCALE: 2/1	SHEET: 1/1	REV: A DWG NO.: LP17081101