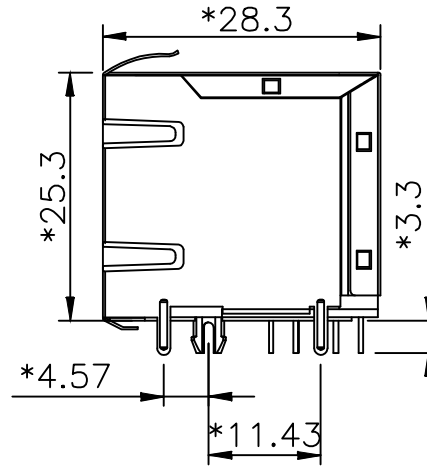
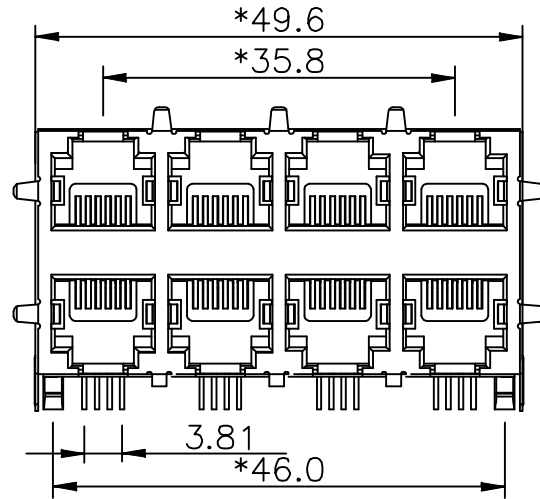


# Mechanical:

REV.	ECN NO.	DESCRIPTION	DATE	APPD
A	REL		2017/08/11	



### NOTES:

#### ELECTRICAL:

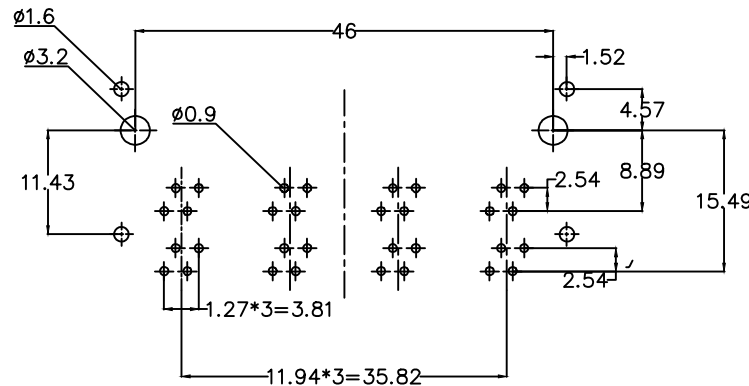
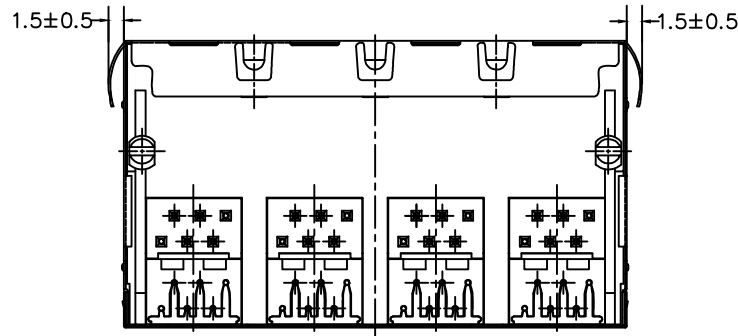
- VOLTAGE RATING : 125 VAC RMS.
- CURRENT RATING : 1.5 AMP.
- CONTACT RESISTANCE : 40 MILLIOHMS MAX.
- INSULATION RESISTANCE: 1000 MEGOHMS MIN @ 500 VDC.
- DIELECTRIC STRENGTH : 1000 VAC RMS 60Hz, 1MIN.

#### MECHANICAL:

- HOUSING MATERIAL : GLASS FILLED POLYESTER UL94V-
- CONTACT MATERIAL : PHOSPHOR BRONZE  $\phi 0.46\text{mm}$ .
- PLATING : GOLD PLATING OVER NICKEL.
- OPERATING LIFE : 750 CYCLES MIN.
- PCB RETENTION PRE-SOLDER : 1 LB MIN.
- PCB RETENTION POST-SOLDER: 10 LBS MIN.

#### ENVIRONMENTAL:

- STORAGE :  $-40^{\circ}\text{C}$  TO  $+85^{\circ}\text{C}$ .
- OPERATION:  $0^{\circ}\text{C}$  TO  $70^{\circ}\text{C}$ .



PC Board Layout

LPJE2421XCNL

Gold Plating	"X"
Gold Flash	0 <input type="checkbox"/>
1.5u"	1 <input type="checkbox"/>
3u"	2 <input type="checkbox"/>
6u"	3 <input type="checkbox"/>
15u"	4 <input type="checkbox"/>
30u"	5 <input type="checkbox"/>
50u"	6 <input type="checkbox"/>



X:X	$\pm 0.20$	APPD:	LINK-PP INT'L TECHNOLOGY CO., LIMITED	
X:XX	$\pm 0.10$	CHKD:	TITLE: RJ11 2x4 CONNECTOR (6P 4C)	
X:XXX	$\pm 0.05$	DR: James	PART NO. : LPJE2421XCNL	
ANGLES	$\pm 1^{\circ}$	UNIT: mm		
	SCALE: 2/1	SHEET: 1/1	REV: A	DWG NO. : LP17081112