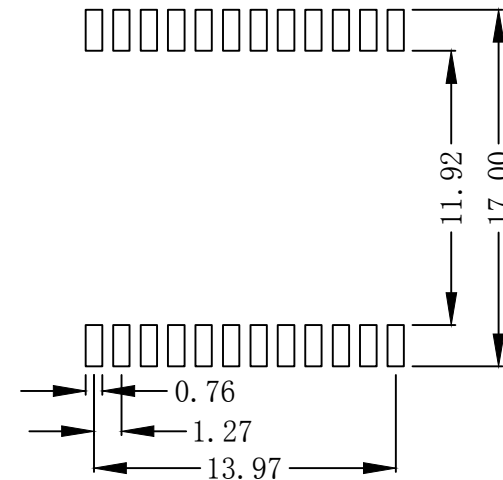
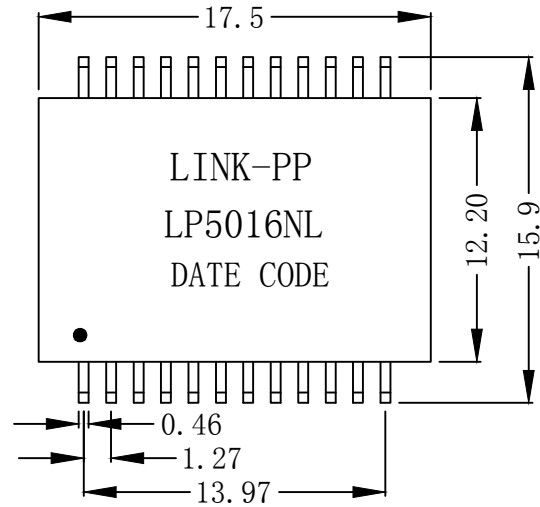
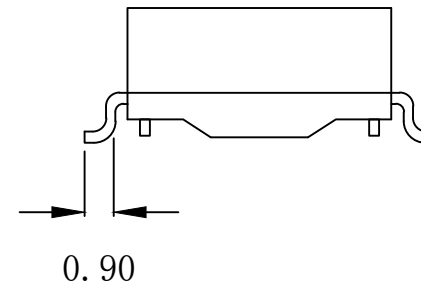
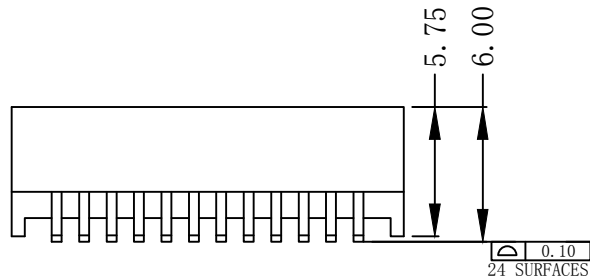


Mechanical:

REV.	ECN NO.	DESCRIPTION	DATE	APPD
A	REL		2015/07/18	



SUGGESTED PAD LAYOUT



NOTES:

1. Designed to support application, such as SOHO (ADSL modems), LAN-on-Motherboard (LOM), hub and Switches.
2. Meets IEEE 802.3 specification.
3. Flammability Rating: UL94V-0
4. Maximum reflow temperature is 250°C, 5 Sec.
5. UL certification: file number E484635



X:X	±0.30	APPD:	LINK-PP INT'L TECHNOLOGY CO., LIMITED	
X:XX	±0.25	CHKD:	TITLE: 2.5G BaseT PC Card SMD Transformer Modules	
X:XXX	±0.05	DR: James	PART NO.: LP5016NL	
ANGLES	±1°	UNIT: mm	DWG NO.: LP15071806	
		SCALE: 2/1	SHEET: 2/2	REV: A