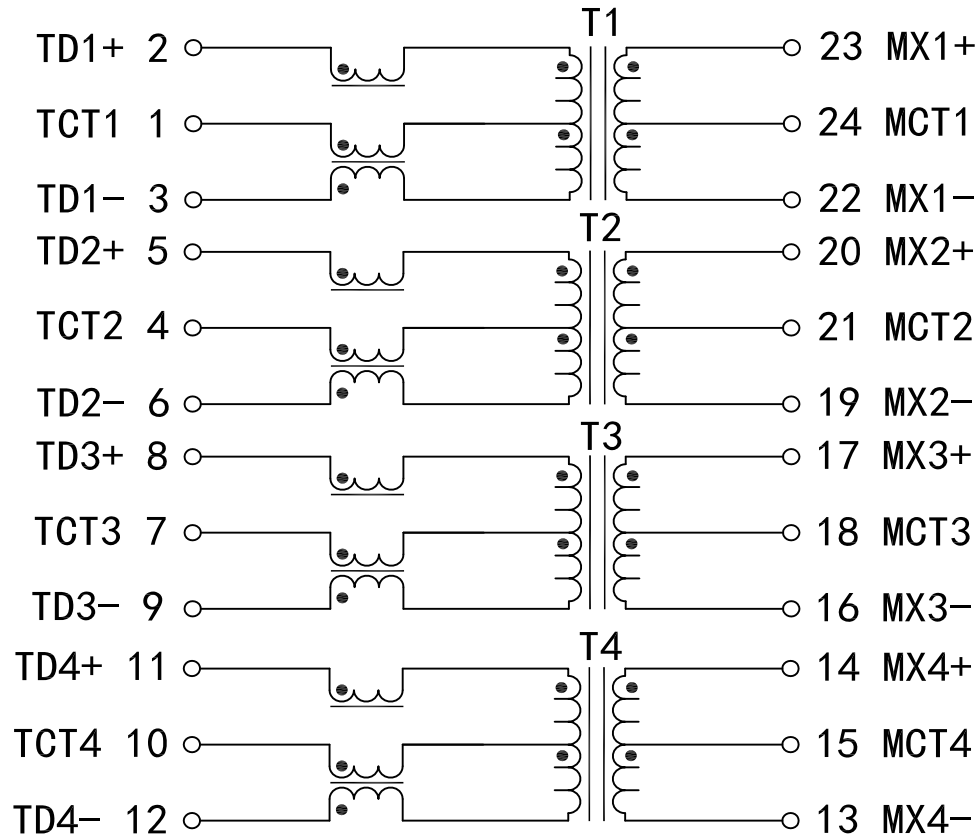


# Schematic:

REV.	ECN NO.	DESCRIPTION	DATE	APPD
B	REL		2012/05/24	



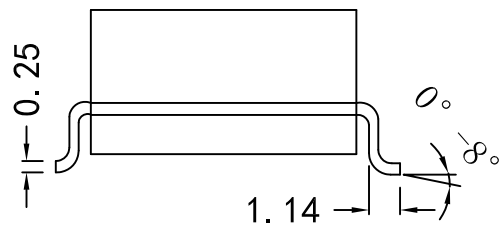
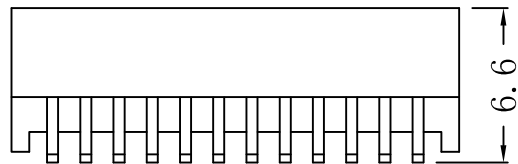
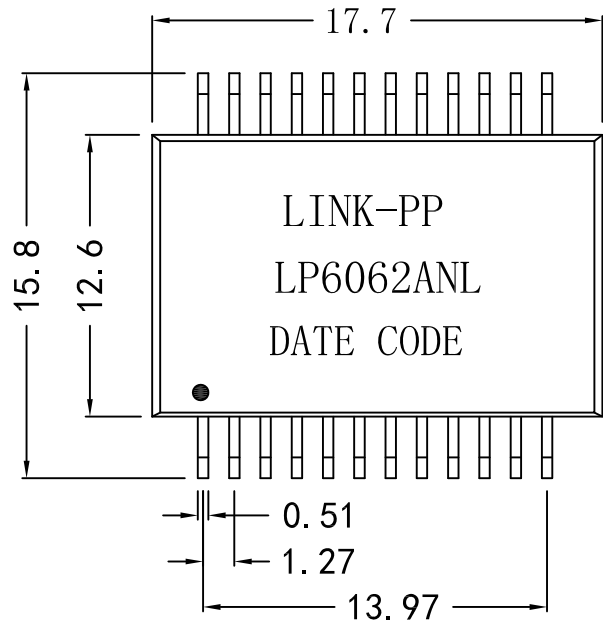
## Electrical Specification @25°C

- Insertion Loss (dB Max):
  - 0.3-1MHz: -1.1      1-65MHz: -0.8
  - 65-100MHz: -1.0      100-125MHz: -1.2
- Return Loss (dB Min @100 OHM):
  - 0.5-40MHz: -18
  - 40-100MHz: -12-20LOG(f/80MHz)
- Crosstalk (dB Min):
  - 0.3-100MHz: -33-20LOG(f/100MHz)
- CM TO CM REJ:
  - 0.3-100MHz: -30dB Min
- CM TO DM REJ:
  - 0.3-100MHz: -35dB Min
- Turns Ratio:
  - PRI:SEC= 1CT:1CT ±2%
- Inductance (100KHz/0.1V@11mA): 350uH Min
- Balanced DC Line Current:
  - 600mA Max @48~57VDC Continuous
- Hipot: 1500Vrms/0.5mA
- Operating Temperature: -40°C ~ +85°C.

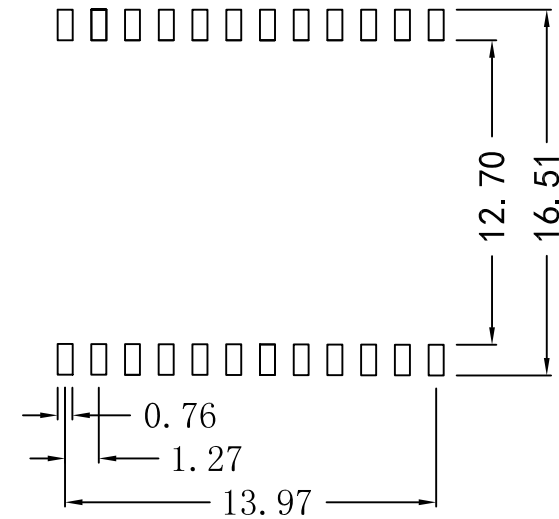


X:X	_0.20	APPD: SAM	LINK-PP INT'L TECHNOLOGY CO., LIMITED	
X:XX	±0.10	CHKD:		
X:XXX	±0.05	DR: TOM	TITLE: 1000Base-T Magnetic Modules For PoE/PoE+ Application	
ANGLES	±1°	UNIT: mm	PART NO.: LP6062ANL	
	SCALE: 2/1	SHEET: 1/2	REV: B	DWG NO.: LP09051512

**Mechanical:**



REV.	ECN NO.	DESCRIPTION	DATE	APPD
B	REL		2012/05/24	



**SUGGESTED PAD LAYOUT**



**NOTES:**

1. Gigabit Transformer Modules With Power Over Ethernet Option
2. Meets IEEE 802.3af/IEEE 802.3at specification
3. For RoHS part add suffix NL
4. Solder rating  $260^{\circ}\text{C} \pm 5^{\circ}\text{C}$
5. UL Certification: File Number E484635

X:X	$\pm 0.20$	APPD: SAM	LINK-PP INT'L TECHNOLOGY CO., LIMITED	
X:XX	$\pm 0.10$	CHKD:	TITLE: 1000Base-T Magnetic Modules For PoE/PoE+ Application	
X:XXX	$\pm 0.05$	DR: TOM	PART NO.: LP6062ANL	
ANGLES	$\pm 1^{\circ}$	UNIT: mm		
	SCALE: 2/1	SHEET: 2/2	REV: B	DWG NO.: LP09051512