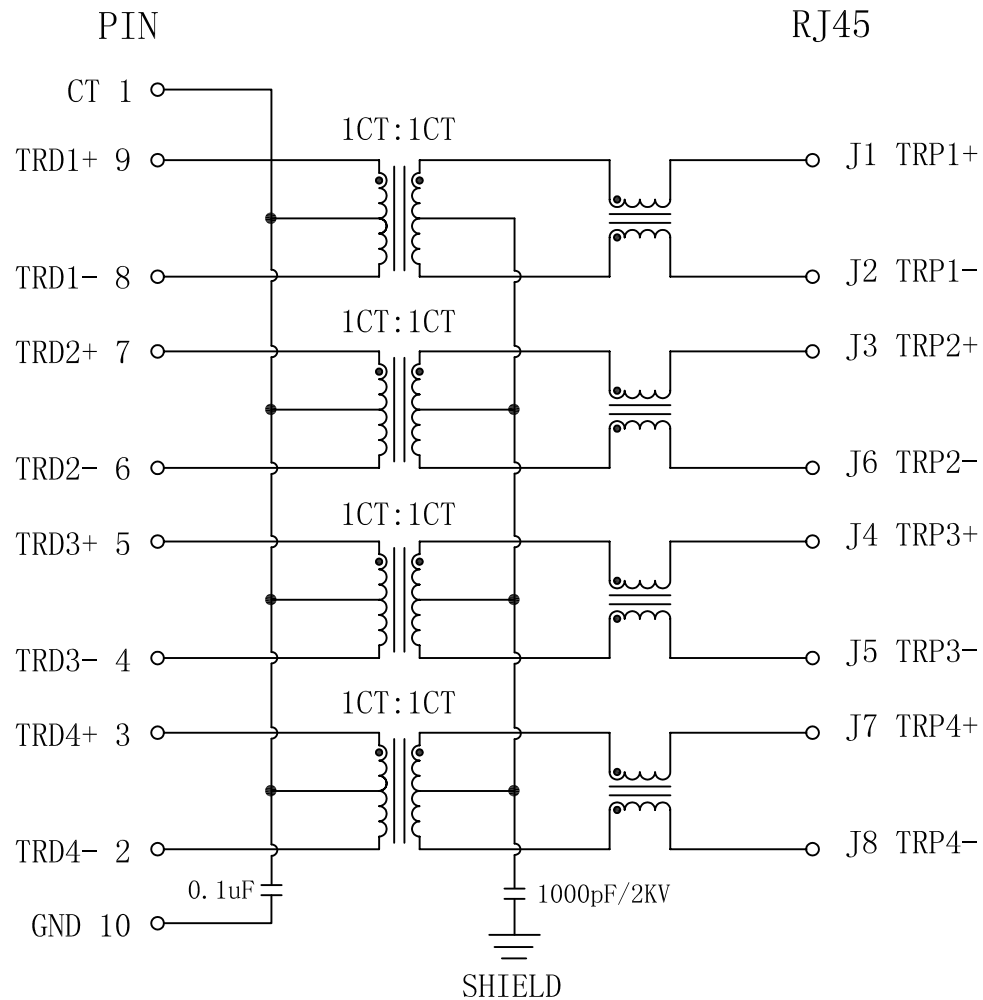


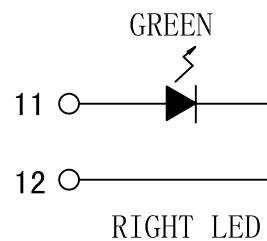
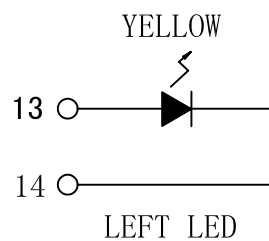
Schematic :

REV.	ECN NO.	DESCRIPTION	DATE	APPD
A	REL		05/05/2009	



Electronics Specifications @25°C

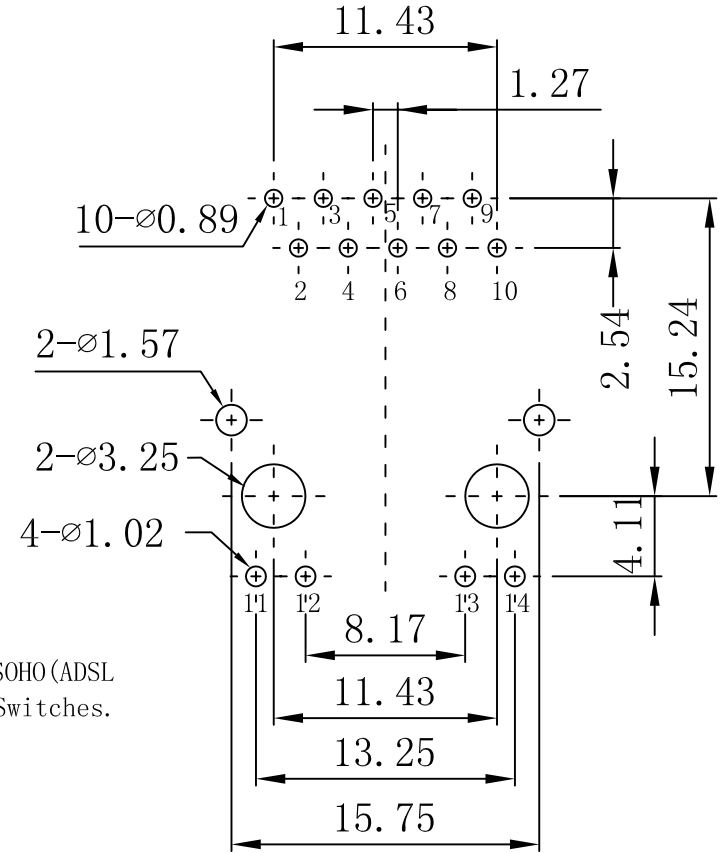
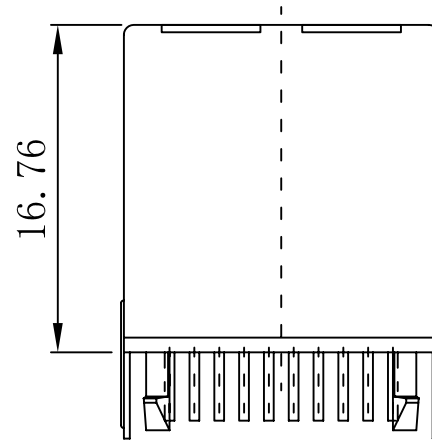
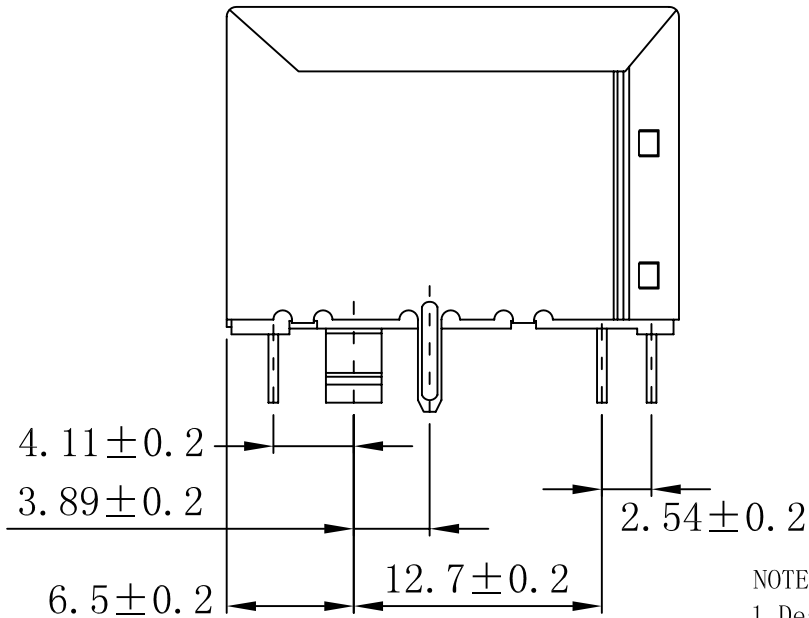
1. TURNS RATIO ($\pm 3\%$):
TX=1CT:1CT RX=1CT:1CT
2. OCL (100KHz, 0.1V, 8mA): 350uH MIN
3. HIPOT (Isolation Voltage): 1500Vrms
4. INSERTION LOSS:
-1.1dB MAX @ 1MHz TO 100MHz
5. RETURN LOSS (100 OHMS $\pm 15\%$):
-18dB MIN @ 1MHz TO 40MHz
-14dB MIN @ 60MHz
-12dB MIN @ 80MHz
-10dB MIN @ 100MHz
6. CROSS TALK:
-40dB MIN @ 1MHz TO 30MHz
-30dB MIN @ 30MHz TO 60MHz
7. CM TO CM REJ:
-20dB MIN @ 1MHz TO 100MHz
8. OPERATING TEMPERATURE RANGE: 0°C ~ +70°C.



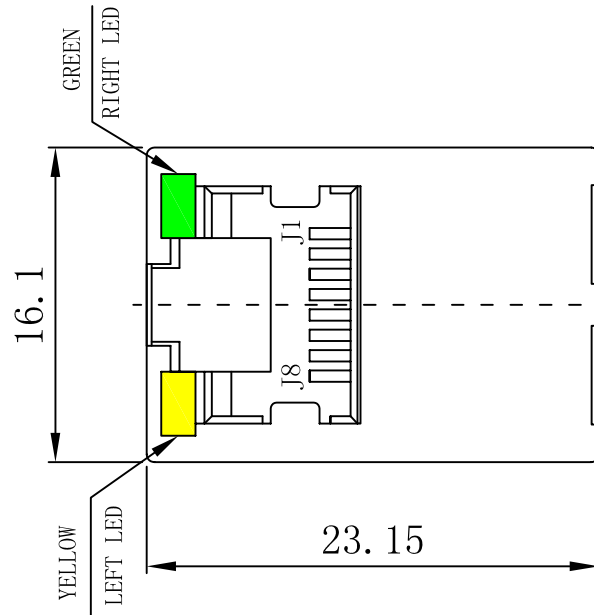
X:X	± 0.20	APPD:	LINK-PP INT'L TECHNOLOGY CO., LIMITED	
X:XX	± 0.10	CHKD:	Title: Vertical RJ45 Connector With 1000 Magnetic	
X:XXX	± 0.05	DR: C. H. Y	PART NO.: LPJD0834BDNL	
ANGLES	$\pm 1^\circ$	UNIT: mm		
	SCALE: 2/1	SHEET: 1/2	REV: A	DWG NO.: LP09050507

Mechanical:

REV.	ECN NO.	DESCRIPTION	DATE	APPD
A	REL		05/05/2009	



SUGGESTED PCB LAYOUT (TOP VIEW)



NOTES:

1. Designed to support application, such as SOHO (ADSL modems), LAN-on-Motherboard (LOM), hub and Switches.
2. Meets IEEE 802.3 specification
3. Connector Materials:
 Housing: Thermoplastic UL94V-0
 Contact/Shield: Copper alloy
 Shield plating: Nickel
 Contact plating: Gold 6 micro-inches min. In contact area.
4. Wave solder tip temperature: 265°C Max
 Wave solder tip temperature time: 5 Sec Max



X:X	±0.20	APPD:	LINK-PP INT'L TECHNOLOGY CO., LIMITED
X:XX	±0.10	CHKD:	
X:XXX	±0.05	DR: C. H. Y	
ANGLES	±1°	UNIT: mm	PART NO.: LPJD0834BDNL
	SCALE: 2/1	SHEET: 2/2	REV: A
			DWG NO.: LP09050507