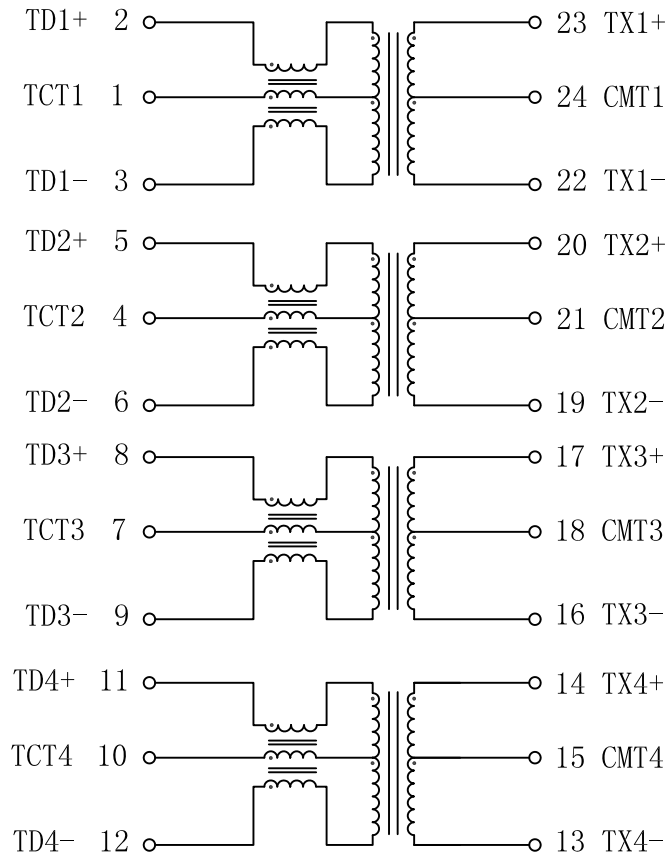


Schematic:

REV.	ECN NO.	DESCRIPTION	DATE	APPD
A	REL		2016/02/25	



Electrical Specifications @25°C

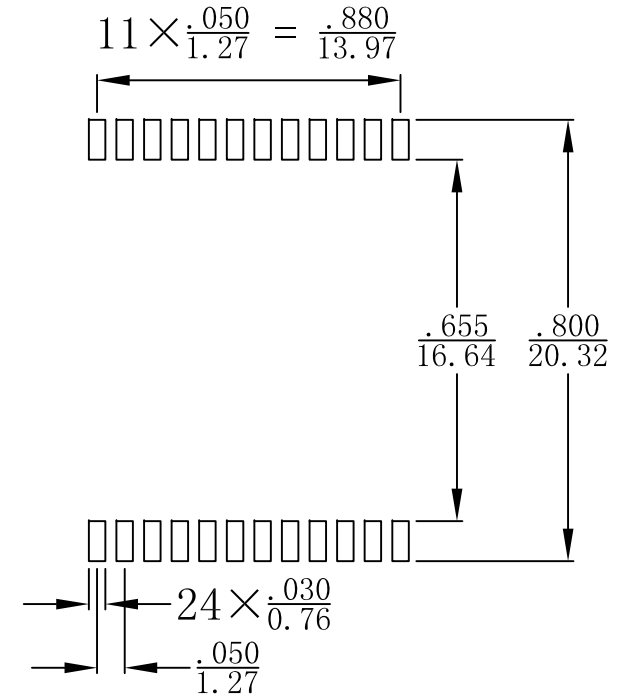
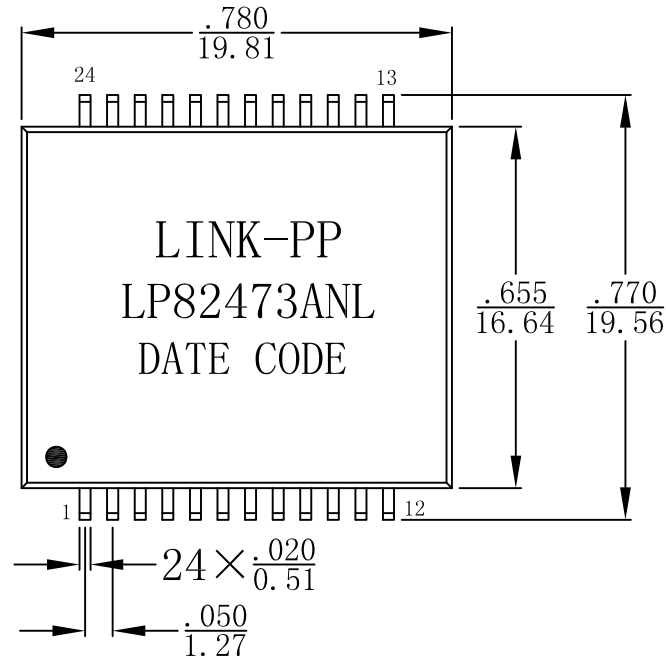
- Turn Ratio(TX/RX):
Pri : Sec = 1CT : 1CT $\pm 5\%$
- Inductance OCL: 350uH Min
@100KHz/0.1V
- Insertion Loss:
1-100MHz:-1.1dB Max
- Return Loss:
1-40MHz:-18dB Min
60MHz:-14dB Min
80MHz:-12dB Min
100MHz:-10dB Min
- Crosstalk:
30MHz:-50dB Min
60MHz:-45dB Min
100MHz:-35dB Min
- Common Mode Rejection:
1-100MHz:-40dB Typ
- DC Resistance(TX/RX):
0.9 Ω Max
- Isolation Hipot: 1500Vrms Min
- Operating Temperature: -40°C ~ +85°C.



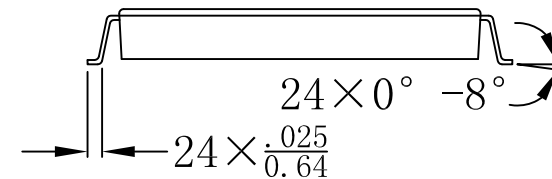
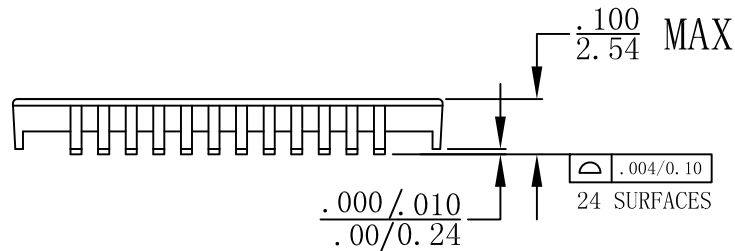
X:X	APPD:	LINK-PP INT'L TECHNOLOGY CO., LIMITED		
X:XX ± 0.25	CHKD:	TITLE: 1000Base-T Low Profile Magnetics Module		
X:XXX	DR: TOM	PART NO.: LP82473ANL		
ANGLES $\pm 1^\circ$	UNIT: $\frac{\text{Inches}}{\text{mm}}$			
	SCALE: 2/1	SHEET: 1/2	REV: A	DWG NO.: LP16022506

Mechanical:

REV.	ECN NO.	DESCRIPTION	DATE	APPD
A	REL		2016/02/25	



SUGGESTED LAND PATTERN



NOTES:

1. Designed to support application, such as SOHO (ADSL modems), LAN-on-Motherboard (LOM), hub and Switches.
2. With various Turns Ratios.
3. 350uH min OCL with 8mA bias current.
4. RoHS "NL" peak solder rating 250°C.



Unless otherwise specified, all tolerances are $\pm \frac{.010}{0.25}$

X:X	APPD:	LINK-PP INT'L TECHNOLOGY CO., LIMITED		
X:XX	± 0.25	CHKD:	TITLE: 1000Base-T Low Profile Magnetics Module	
X:XXX		DR: TOM	PART NO.: LP82473ANL	
ANGLES	$\pm 1^\circ$	UNIT: $\frac{\text{Inches}}{\text{mm}}$	DWG NO.: LP16022506	
	SCALE: 2/1	SHEET: 2/2	REV: A	