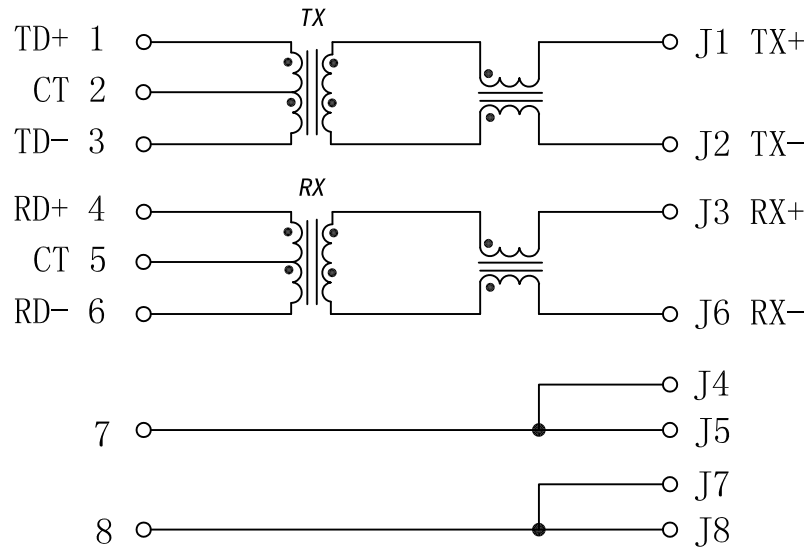


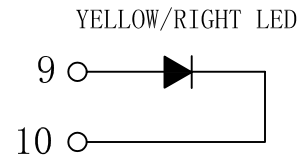
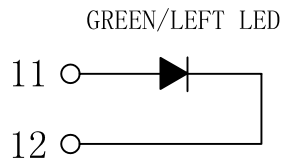
Schematic:

REV.	ECN NO.	DESCRIPTION	DATE	APPD
A	REL		28/01/2010	

PC BOARD CONNECTIONS



RJ45 CONNECTOR



Electrical Specifications @25°C

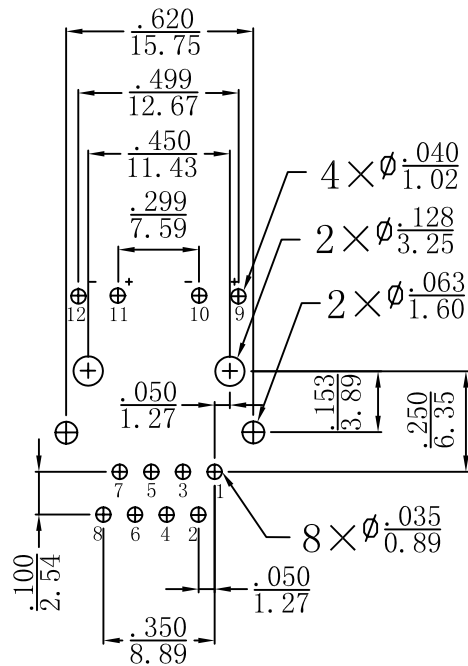
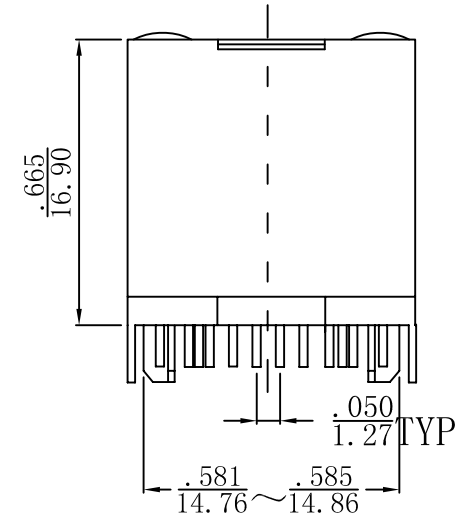
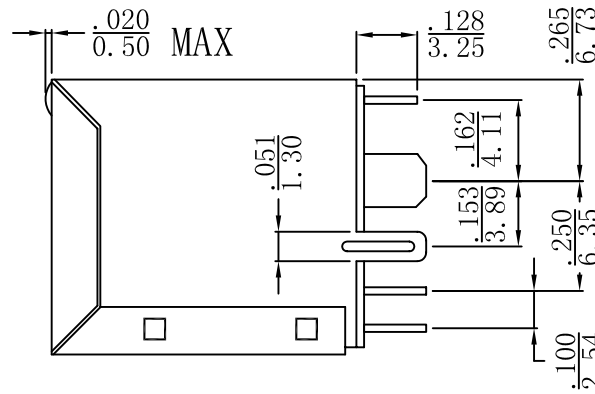
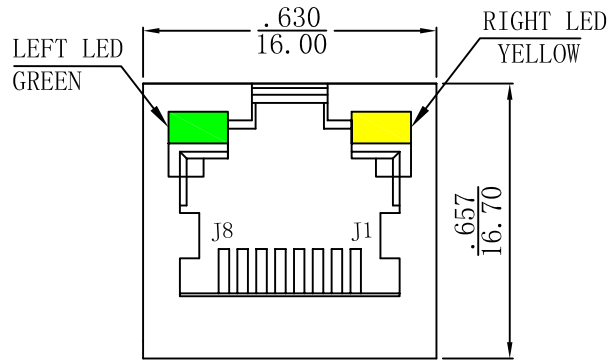
- Turns Ratio ($\pm 5\%$):
TX=1CT:1 RX=1CT:1
- Inductance (@100KHz 0.1V 8mA): 350uH Min
- Insertion Loss:
0.3-100MHz: -1.0dB Max
- Return Loss (dB Min. $100\Omega \pm 15\Omega$):
1-30MHz: -20 40MHz: -15
50MHz: -15 60-80MHz: -10
- Crosstalk (dB Min):
30MHz: -30 60MHz: -30
100MHz: -30
- CMR (dB Min):
30MHz: -30 60MHz: -30
100MHz: -30
- Hipot: 1000Vrms
- Operating Temperature: 0°C ~ 70°C.



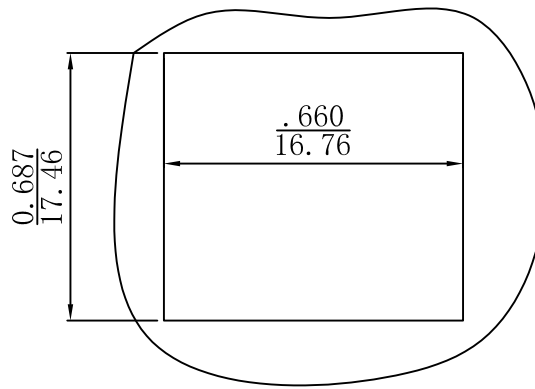
X:X	± 0.20	APPD:	LINK-PP INT'L TECHNOLOGY CO., LIMITED	
X:XX	± 0.10	CHKD:		
X:XXX	± 0.05	DR: TOM	Title: Vertical RJ45 Connector With 10/100 Magnetic	
ANGLES	$\pm 1^\circ$	UNIT: Inches/mm	PART NO: LPJD0115BENL	
	SCALE: 2/1	SHEET: 1/2	REV: A	DWG NO: LP10012805

Mechanical:

REV.	ECN NO.	DESCRIPTION	DATE	APPD
A	REL		28/01/2010	



SUGGESTED PCB LAYOUT (TOP VIEW)



RECOMMENDED PANEL CUTOUT DIMENSION



NOTES:

1. Designed to support application, such as SOHO (ADSL modems), LAN-on-Motherboard (LOM), hub and Switches.
2. Meets IEEE 802.3 specification
3. Connector Materials:
Housing: Thermoplastic UL94V-0
Contact/Shield: Copper alloy
Shield plating: Nickel
Contact plating: Gold 6 micro-inches min. In contact area.
4. Wave solder tip temperature: 265°C Max
Wave solder tip temperature time: 5 Sec Max

X:X	±0.20	APPD:	LINK-PP INT'L TECHNOLOGY CO., LIMITED	
X:XX	±0.10	CHKD:	Title: Vertical RJ45 Connector With 10/100 Magnetic	
X:XXX	±0.05	DR: TOM	PART NO: LPJD0115BENL	
ANGLES	±1°	UNIT: Inches/mm		
	SCALE: 2/1	SHEET: 2/2	REV: A	DWG NO: LP10012805