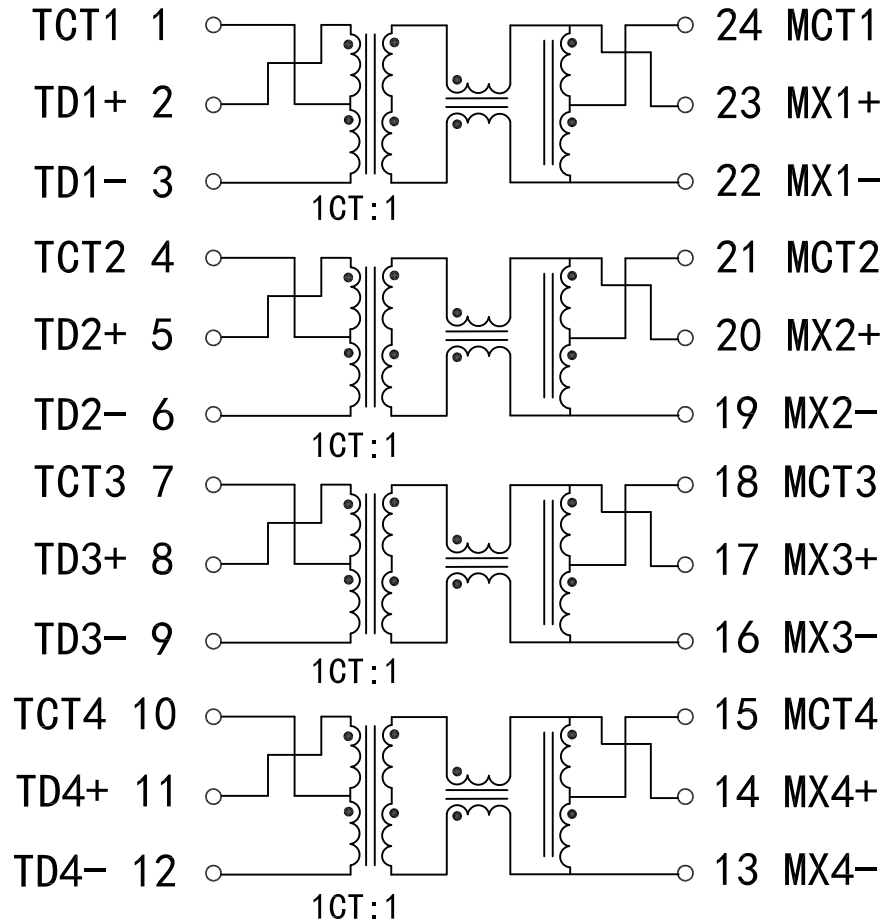


Schematic:

REV.	ECN NO.	DESCRIPTION	DATE	APPD
A	REL		24/09/2009	



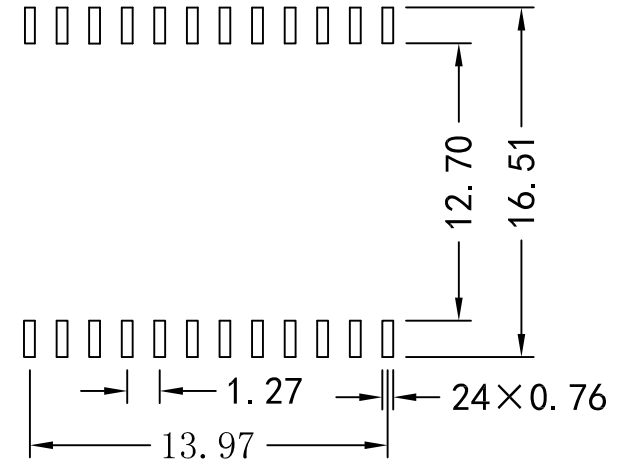
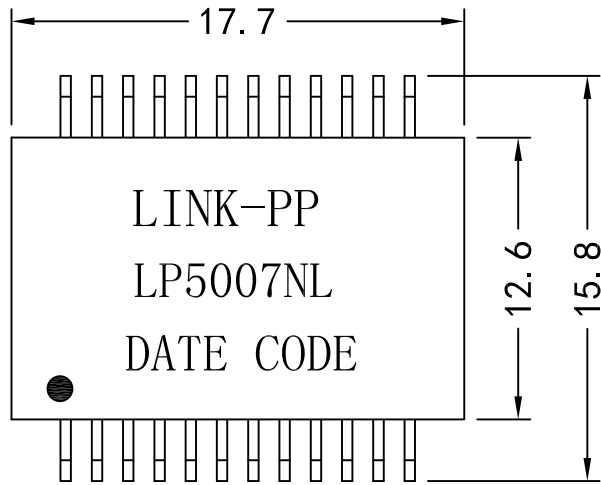
Electrical Specifications @25°C

- Turns Ratio: 1CT:1
- 0CL: 350uH min
@100KHz, 100mV, 8mADC Bias
- Insertion Loss (dB max):
1-65MHz: -1.0 65-100MHz: -1.1
100-125MHz: -1.5
- Return Loss (dB min):
1-30MHz: -18 40MHz: -18
50MHz: -16 60-80MHz: -12
100MHz: -10
- Crosstalk (dB min):
30MHz: -45 60MHz: -40
100MHz: -35
- DCMR: (dB min):
30MHz: -43 60MHz: -37
100MHz: -33
- Isolation Voltage: 1500Vrms min
- Operating Temperature: 0°C ~ 70°C.

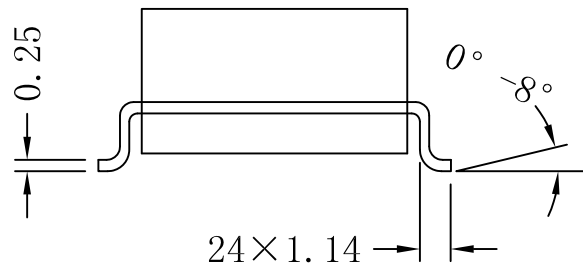
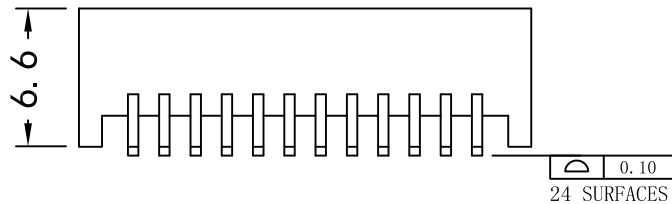
X:X	±0.30	APPD:	LINK-PP INT'L TECHNOLOGY CO., LIMITED	
X:XX	±0.25	CHKD:	TITLE: 1000Base-T Magnetic Modules	
X:XXX	±0.05	DR: TOM	PART NO.: LP5007NL	
ANGLES	±1°	UNIT: mm		
	SCALE: 2/1	SHEET: 1/2	REV: A	DWG NO.: LP09092405

Mechanical:

REV.	ECN NO.	DESCRIPTION	DATE	APPD
A	REL		24/09/2009	



SUGGESTED PAD LAYOUT



NOTES:

1. Designed to support application, such as SOHO (ADSL modems), LAN-on-Motherboard (LOM), hub and Switches.
2. With various Turns Ratios.
3. RoHS "NL" peak solder rating 250°C.

X:X	±0.30	APPD:	LINK-PP INT'L TECHNOLOGY CO., LIMITED	
X:XX	±0.25	CHKD:	TITLE: 1000Base-T Magnetic Modules	
X:XXX	±0.05	DR: TOM	PART NO.: LP5007NL	
ANGLES	±1°	UNIT: mm	DWG NO.: LP09092405	
SCALE: 2/1		SHEET: 2/2		REV: A