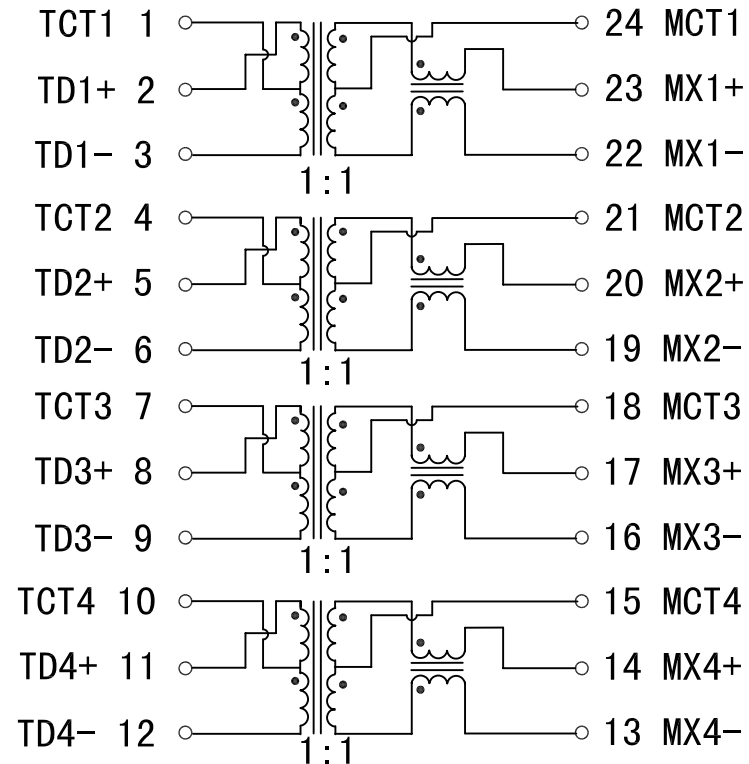


# Schematic:

REV.	ECN NO.	DESCRIPTION	DATE	APPD
A	REL		28/07/2007	



## Electrical Specifications @25°C

### 1. Insertion Loss:

1-100MHz: -1.0dB MAX

### 2. Return Loss (dB MIN @100Ω):

1-30MHz: -18      40MHz: -18  
 50MHz: -16      60-80MHz: -12  
 100MHz: -10

### 3. Crosstalk (dB MIN):

30MHz: -45      60MHz: -40  
 100MHz: -35

### 4. DCMR (dB MIN):

30MHz: -43      60MHz: -37  
 100MHz: -33

### 5. Hipot: 1500Vrms MIN

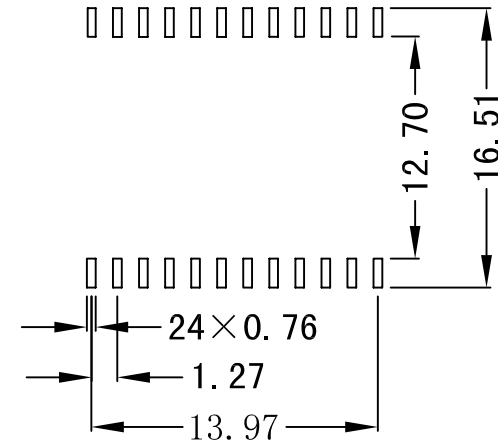
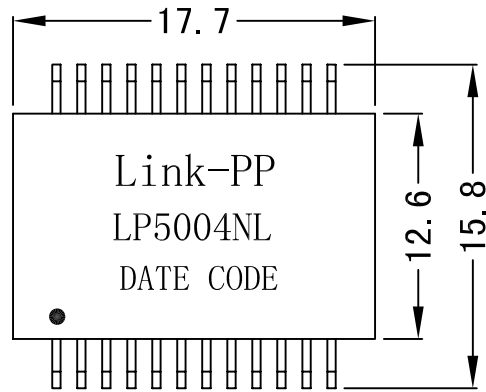
### 6. Operating Temperature: 0°C ~ 70°C



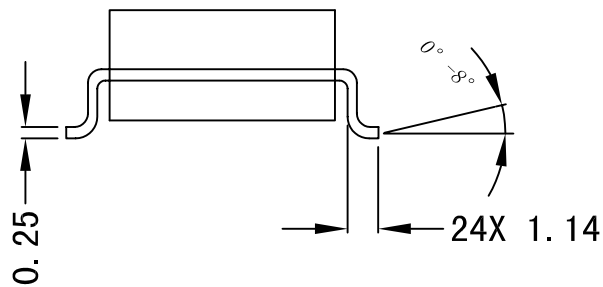
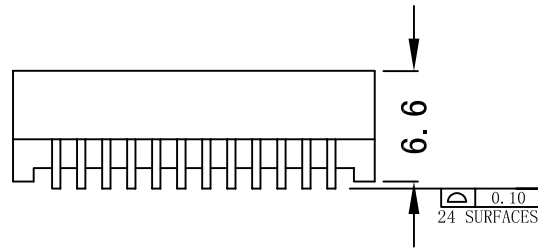
X:X	±0.20	APPD:	LINK-PP INT'L TECHNOLOGY CO., LIMITED	
X:XX	±0.10	CHKD:	<i>Title:</i> 1000Base-T Magnetic Modules	
X:XXX	±0.05	DR: TOM		
ANGLES	±1°	UNIT: mm	PART NO.: LP5004NL	
	SCALE: 2/1	SHEET: 1/2	REV: A	DWG NO.:

# Mechanical:

REV.	ECN NO.	DESCRIPTION	DATE	APPD
A	REL		28/07/2007	



SUGGESTED PAD LAYOUT



## NOTES:

1. Designed to support 1:1 Turns Ratio Transceivers
2. Compliant with IEEE 802.3ab standard for 1000 Base-T.
3. 350uH min OCL with 8mA bias current.
4. RoHS "NL" peak solder rating 245°C.



X:X	±0.20	APPD:	LINK-PP INT'L TECHNOLOGY CO., LIMITED	
X:XX	±0.10	CHKD:	<i>Title:</i> 1000Base-T Magnetic Modules	
X:XXX	±0.05	DR: TOM		
ANGLES	±1°	UNIT: mm	PART NO.: LP5004NL	
	SCALE: 2/1	SHEET: 2/2	REV: A	DWG NO.: