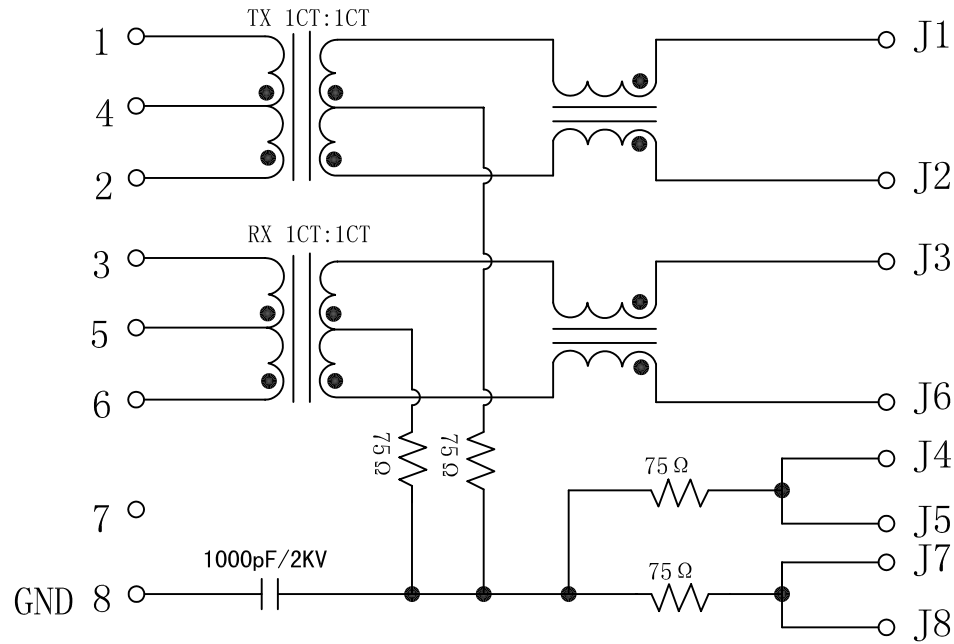


Schematic:

REV.	ECN NO.	DESCRIPTION	DATE	APPD
A	REL		19/09/2008	

PCB SIDE



CABLE SIDE

Electrical Specifications @25°C

- Turns Ratio ($\pm 2\%$) :
TX=1CT:1CT RX=1CT:1CT
- OCL: 350uH Min
@ 100KHz 100mV 8mA DC
- Return Loss(dB Min) :
1-30MHz:-16 40MHz:-14
50MHz:-13 60-80MHz:-12
- Crosstalk(dB Min) :
0.3-30MHz:-40 30-60MHz:-35
60-100MHz:-30
- Insertion Loss:
0.3-100MHz:-1.2dB Max
- CMR(dB Min) :
1-50MHz:-30 50-150MHz:-20
- Isolation Voltage: 1500Vrms
- Operating Temperature: 0°C ~ 70°C.



X:X	± 0.20	APPD:	LINK-PP INT'L TECHNOLOGY CO., LIMITED	
X:XX	± 0.10	CHKD:		
X:XXX	± 0.05	DR: TOM	TILTE: RJ45 Connector With 10/100 Base-TX Integrated Magnetic	
ANGLES	$\pm 1^\circ$	UNIT: mm	PART NO.: LPJ16211DNL	
	SCALE: 2/1	SHEET: 1/2	REV: A	DWG: LP08091906

