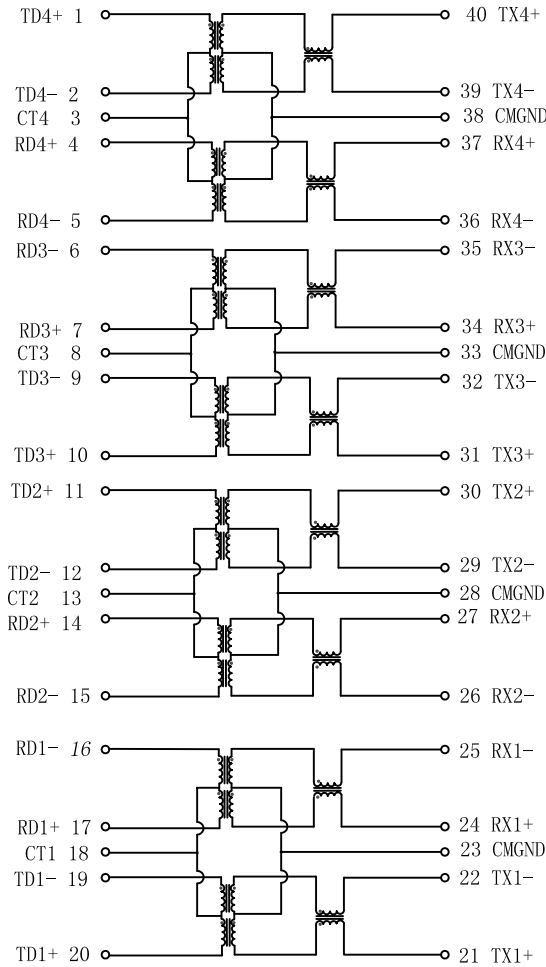


Schematic:

REV.	ECN NO.	DESCRIPTION	DATE	APPD
A	REL		2010/05/13	



Electrical Specifications @25°C:

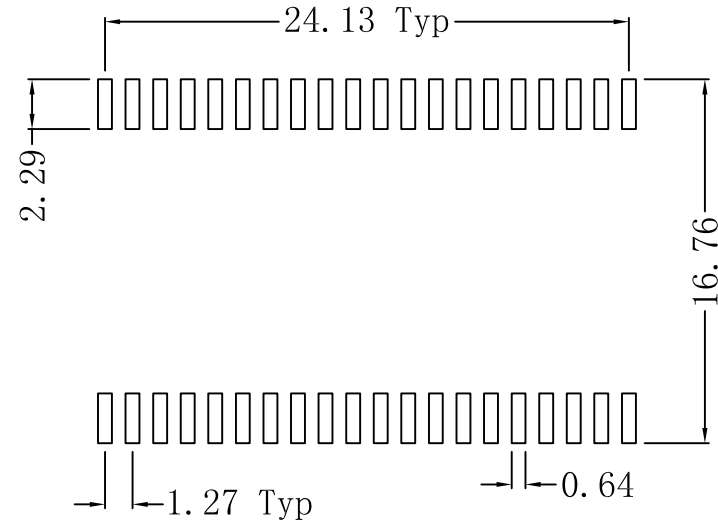
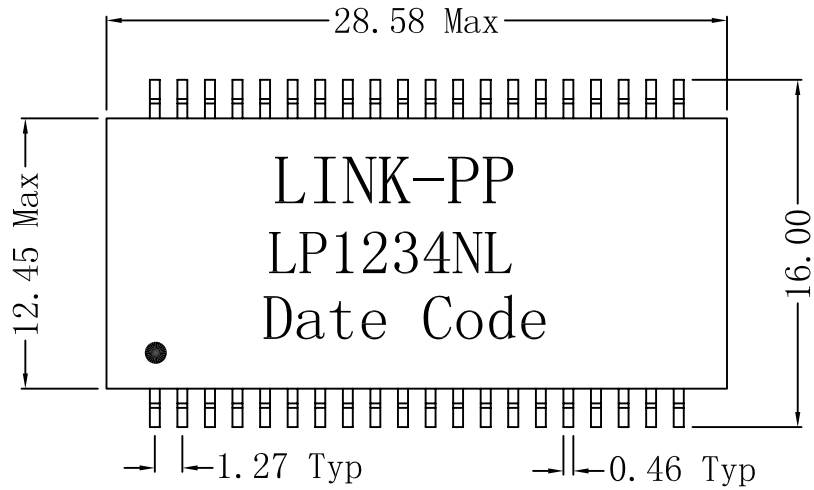
1. Insertion Loss:
0.1-100MHz:-1.4dB MAX
3. Return Loss (dB MIN):
2-30MHz:-18; 40MHz:-14.4
50MHz:-13.1; 60-80MHz:-12
4. Crosstalk (dB MIN):
0.1MHz:-55; 30MHz:-45
60MHz:-40; 100MHz:-33
5. DCMR (dB MIN):
1-60MHz:-37; 60-200MHz:-25
6. Hipot: 1500Vrms
7. Operating Temperature: -40°C ~ +85°C.



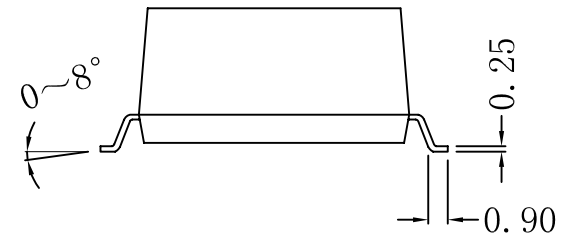
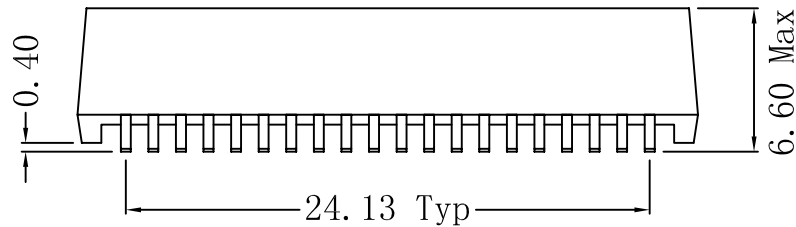
X:X	APPD:	LINK-PP INT'L TECHNOLOGY CO., LIMITED		
X:XX	CHKD:	TITLE: 10/100Base-T Quad Port Transformer Modules		
X:XXX	DR: TOM	PART NO.: LP1234NL		
ANGLES ±1°	UNIT: mm			
	SCALE: 2/1	SHEET: 1/2	REV: A	DWG NO.: LP10051308

Mechanical:

REV.	ECN NO.	DESCRIPTION	DATE	APPD
A	REL		2010/05/13	



SUGGESTED PAD LAYOUT



Dimensions: mm
Unless otherwise specified, all tolerances are ± 0.25

NOTES:

1. Designed to support application, such as SOHO (ADSL modems), LAN-on-Motherboard (LOM), hub and Switches.
2. With various Turns Ratios.
3. 350uH min OCL with 8mA bias current.
4. RoHS "NL" peak solder rating $260^{\circ}\text{C} \pm 5^{\circ}\text{C}$.



X:X	APPD:	LINK-PP INT'L TECHNOLOGY CO., LIMITED		
X:XX	CHKD:	TITLE: 10/100Base-T Quad Port Transformer Modules		
X:XXX	DR: TOM	PART NO.: LP1234NL		
ANGLES $\pm 1^{\circ}$	UNIT: mm	SCALE: 2/1	SHEET: 2/2	REV: A DWG NO.: LP10051308