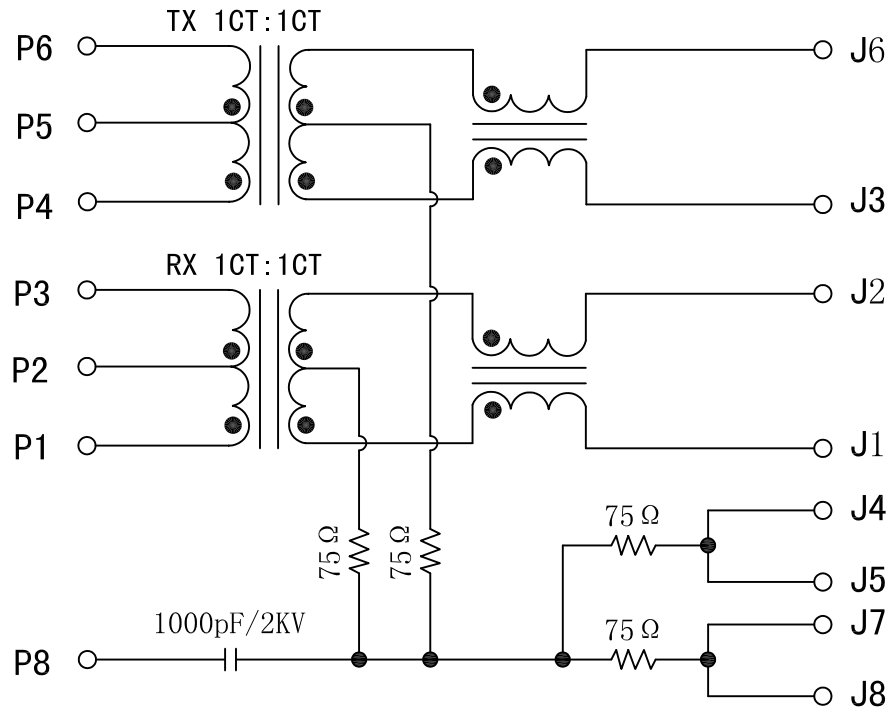


Schematic:

REV.	ECN NO.	DESCRIPTION	DATE	APPD
A	REL		23/04/2009	

PCB SIDE TO PHY

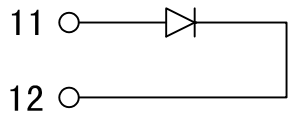


CABLE SIDE

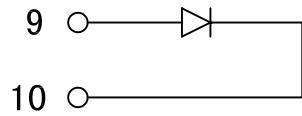
Electrical Specifications @25°C

- Turns Ratio:
TX=1CT:1CT RX=1CT:1CT
- Inductance OCL:
350uH min @100KHz, 100mV, 8mAdc.
- Return Loss(dB Min):
1-30MHz:-16
30-60MHz:16-20 log(f/30MHz)
60-80MHz:-10
- Crosstalk(dB Min):
1-60MHz:-40; 60-100MHz:-38
- Insertion Loss:
1-100MHz:-1.0dB Max
- CMRR (TX/RX) :
1-60MHz:-45/-40 dB Min
60-100MHz:-40/-35 dB Min
- Isolation Voltage:1500Vrms
- Operating Temperature:0~70°C.

GREEN/LEFT LED



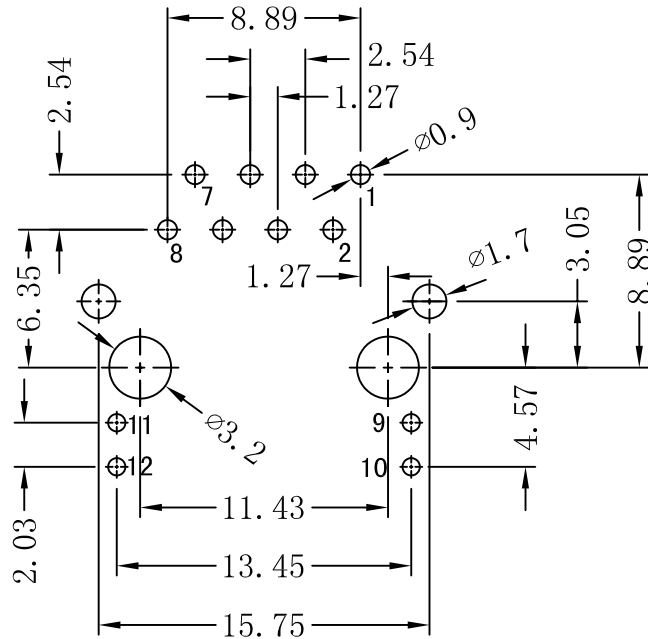
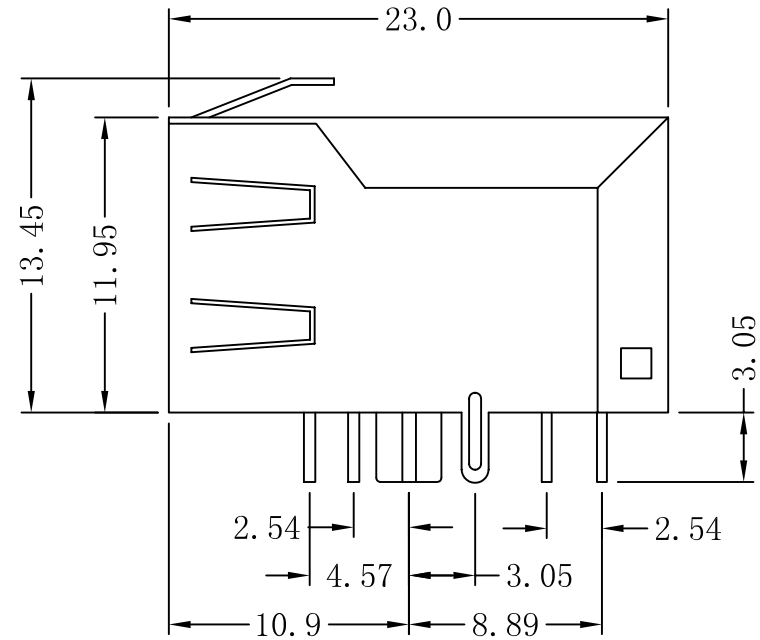
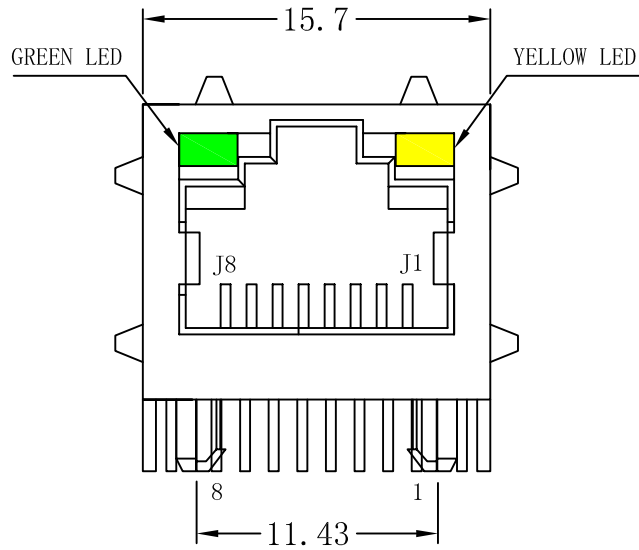
YELLOW/RIGHT LED



X:X	±0.20	APPD:	LINK-PP INT'L TECHNOLOGY CO., LIMITED	
X:XX	±0.10	CHKD:	TITLE: RJ45 Connector With 10/100 Base-TX Integrated Magnetic TAB-UP	
X:XXX	±0.05	DR: TOM	PART NO. : LPJ15212AENL	
ANGLES	±1°	UNIT: mm		
	SCALE: 2/1	SHEET: 1/2	REV: A	DWG NO: LP09042301

Mechanical:

REV.	ECN NO.	DESCRIPTION	DATE	APPD
A	REL		23/04/2009	



SUGGESTED PCB LAYOUT (TOP VIEW)



NOTES:

1. Designed to support application, such as SOHO (ADSL modems), LAN-on-Motherboard (LOM), hub and Switches.
2. Meets IEEE 802.3 specification
3. Connector Materials:
 Housing: Thermoplastic UL94V-0
 Contact/Shield: Copper alloy
 Shield plating: Nickel
 Contact plating: Gold 6 micro-inches min. In contact area.
4. Wave solder tip temperature: 265°C Max
 Wave solder tip temperature time: 5 Sec Max

X:X	±0.20	APPD:	LINK-PP INT'L TECHNOLOGY CO., LIMITED	
X:XX	±0.10	CHKD:	TITLE: RJ45 Connector With 10/100 Base-TX Integrated Magnetic TAB-UP	
X:XXX	±0.05	DR: TOM	PART NO.: LPJ15212AENL	
ANGLES	±1°	UNIT: mm	PART NO.: LPJ15212AENL	
	SCALE: 2/1	SHEET: 2/2	REV: A	DWG NO: LP09042301