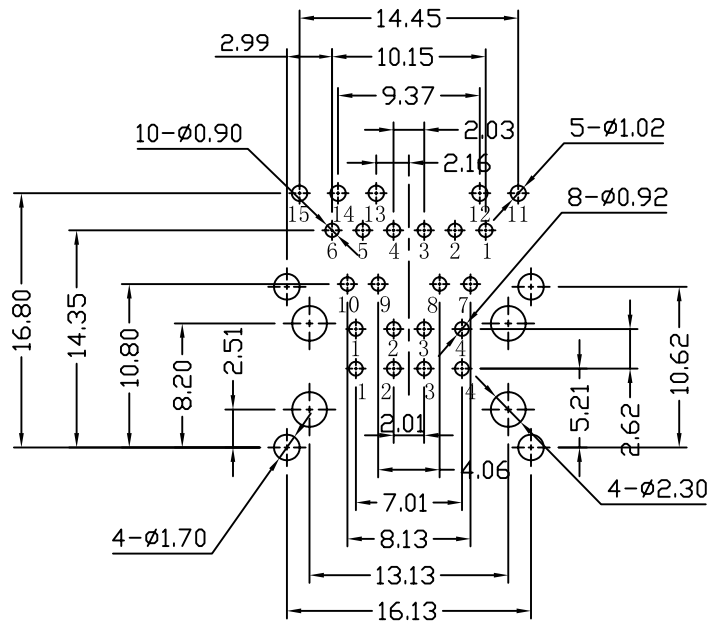
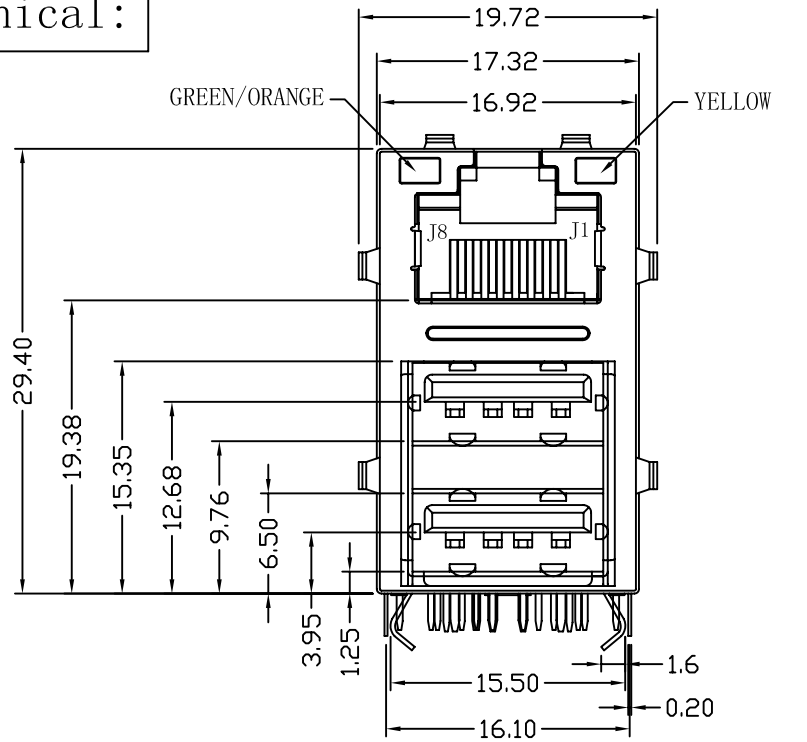


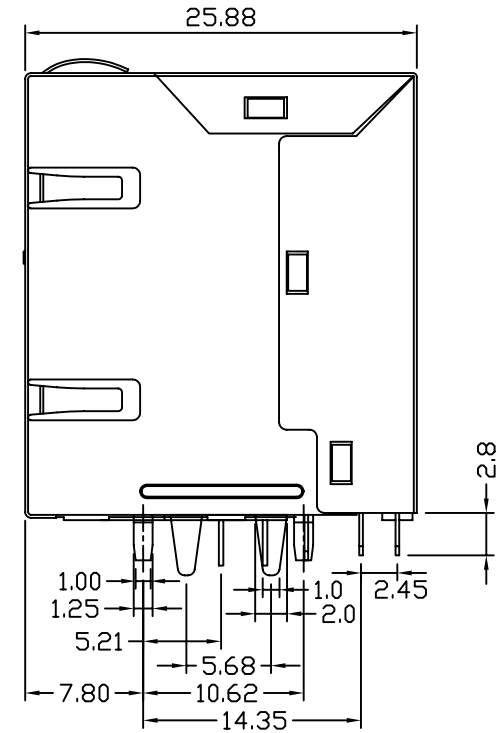
Mechanical:



SUGGESTED PCB LAYOUT (TOP VIEW)



REV.	ECN NO.	DESCRIPTION	DATE	APPD
A	REL		2010/06/04	



NOTES:

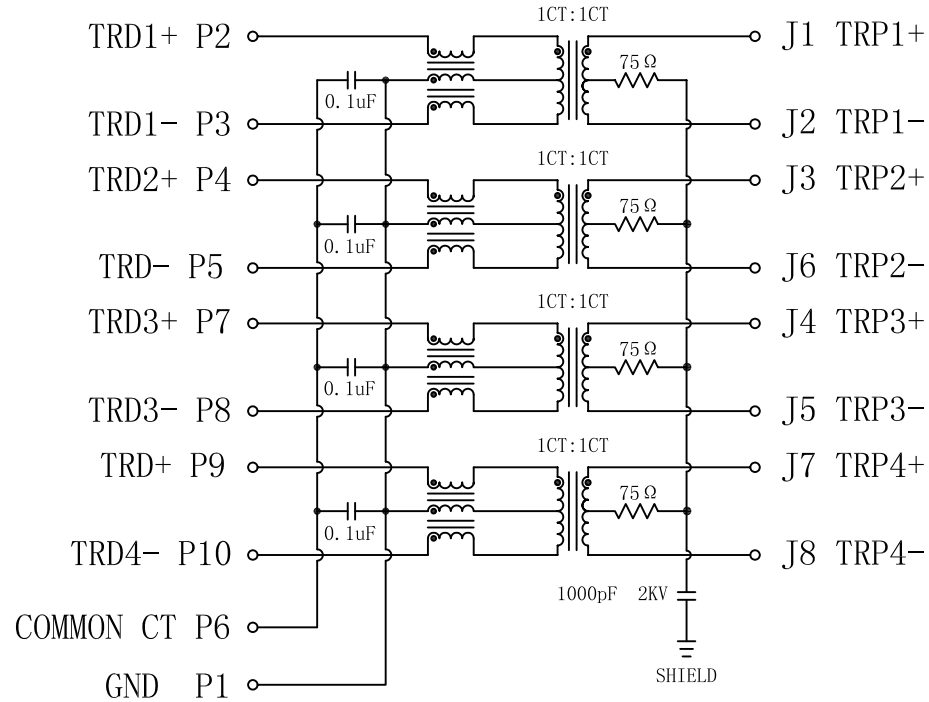
1. Designed to support application, such as SOHO (ADSL modems), LAN-on-Motherboard (LOM), hub and Switches.
2. Meets IEEE 802.3 specification
3. Connector Materials:
Housing: Thermoplastic UL94V-0
Contact/Shield: Copper alloy
Shield plating: Nickel
Contact plating: Gold 6 micro-inches min. In contact area.
USB Contact plating: Gold flash.
4. Wave solder tip temperature: 265°C Max
Wave solder tip temperature time: 5 Sec Max

X:X	±0.25	APPD:	LINK-PP INT'L TECHNOLOGY CO., LIMITED
X:XX	±0.20	CHKD:	
X:XXX	±0.05	DR: TOM	TITLE: RJ45 1000 Base-TX Jack/Dual USB Combo
ANGLES	±1°	UNIT: mm	PART NO.: LPJU4232A64NL
	SCALE: 2/1	SHEET: 1/2	REV: A
			DWG NO.: TRC10060404

Schematic:

REV.	ECN NO.	DESCRIPTION	DATE	APPD
A	REL		2010/06/04	

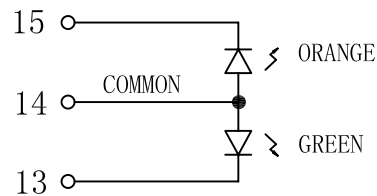
PCB CONNECTIONS



RJ45 CONNECTOR

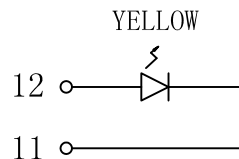
Electrical Specifications:

- Turns Ratio ($\pm 2\%$):
TX=1CT:1CT RX=1CT:1CT
- Inductance:
350uH Min @100KHz, 0.1V, 8mA DC BIAS
- Insertion Loss:
1-100MHz: -1.2dB Max
- Return Loss (dB Min):
0.5-40MHz: -18
40-100MHz: -12+20LOG(f/80MHz)
- Cross Talk (dB Min):
1-30MHz: -35 30-80MHz: -24
80-100MHz: -25
- Cm TO Cm Rejection:
0.1-100MHz: -30dB Min
- Cm TO Dm Rejection:
0.1-100MHz: -35dB Min
- HI-POT: 1500Vrms.
- Operating Temperature: 0°C ~ 70°C.



LEFT LED

LED POLARITY			COLOR
PIN 13	PIN 14	PIN 15	
-	+	/	GREEN
/	+	-	ORANGE



RIGHT LED

LED POLARITY		COLOR
PIN 12	PIN 11	
+	-	YELLOW

X:X	±0.25	APPD:	LINK-PP INT'L TECHNOLOGY CO., LIMITED	
X:XX	±0.20	CHKD:	TITLE: RJ45 1000 Base-TX Jack/Dual USB Combo	
X:XXX	±0.05	DR: TOM	PART NO.: LPJU4232A64NL	
ANGLES	±1°	UNIT: mm	DWG NO.: TRC10060404	
		SCALE: 2/1	SHEET: 2/2	REV: A