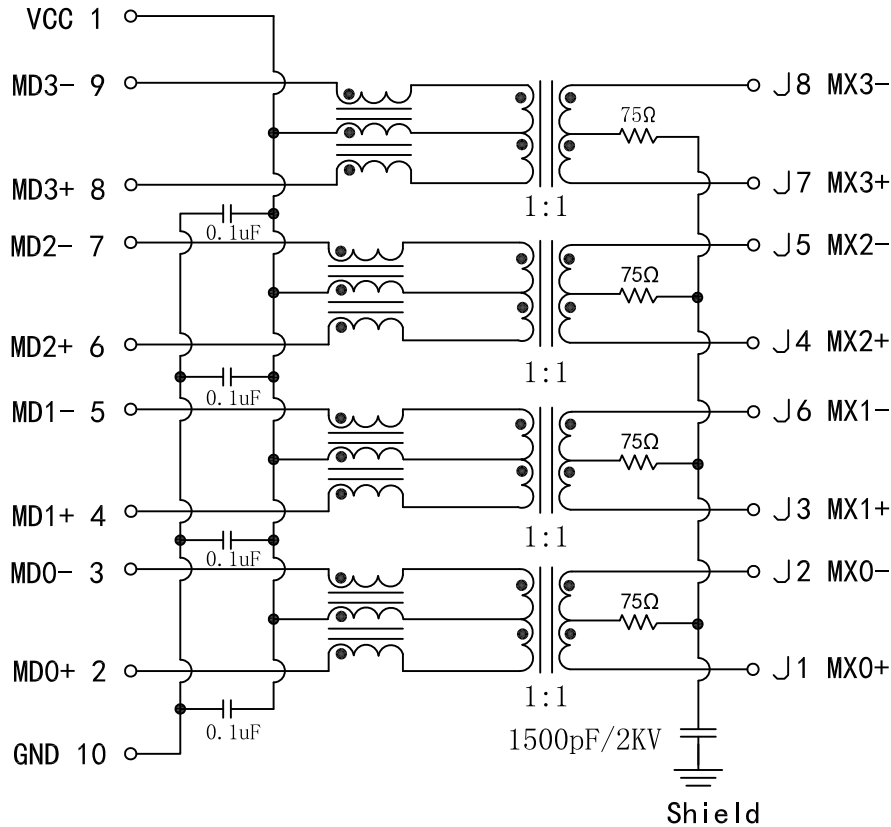


Schematic:

REV.	ECN NO.	DESCRIPTION	DATE	APPD
A	REL		09/01/2009	

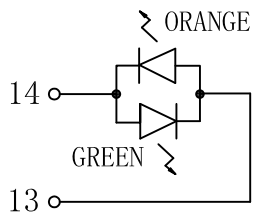
PCB Connections to PHY



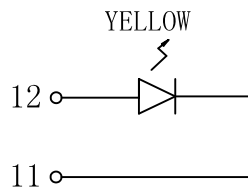
CABLE

Electrical Specifications @25°C

- TR: (100KHz, 0.1V):
1CT: 1 ±2%
- LX: (100KHz, 100mV, 8mA, DC Bias)
350uH min
- HIPOT: 1500Vrms MIN
- INSERTION LOSS:
-1.0dB MAX @ 1.0MHz TO 100MHz
- RETURN LOSS (@100Ω ±15Ω):
-18dB TYP @ 1MHz TO 10MHz
-16dB TYP @ 30MHz
-12dB TYP @ 60MHz TO 80MHz
- CROSS TALK:
-40dB MIN @ 1MHz TO 10MHz
-35dB MIN @ 32MHz TO 60MHz
-30dB MIN @ 60MHz TO 100MHz
- COMMON MODE REJECTION:
-30dB TYP @ 1MHz TO 50MHz
-20dB TYP @ 50MHz TO 150MHz
- OPERATING TEMPERATURE: 0°C ~ +70°C.



LEFT LED



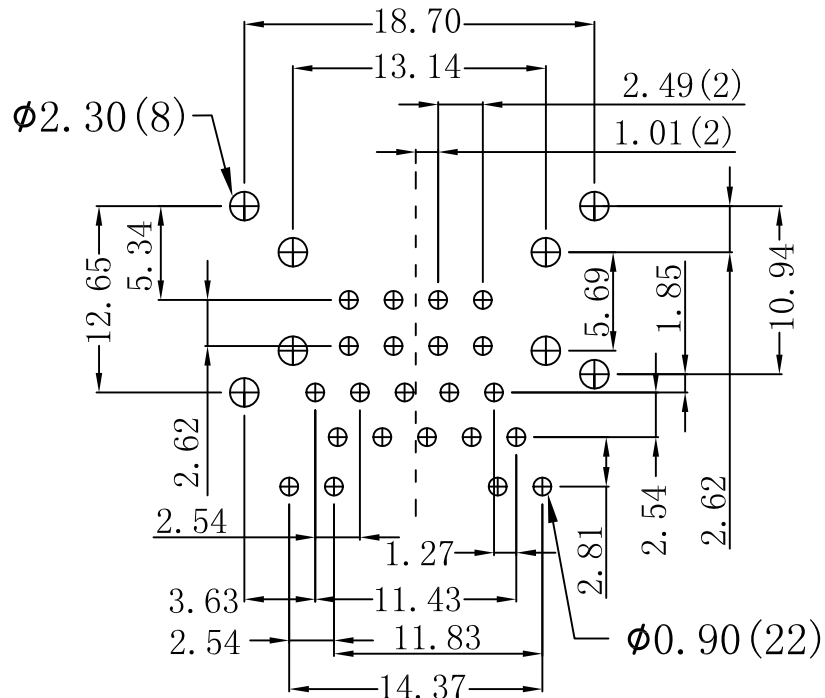
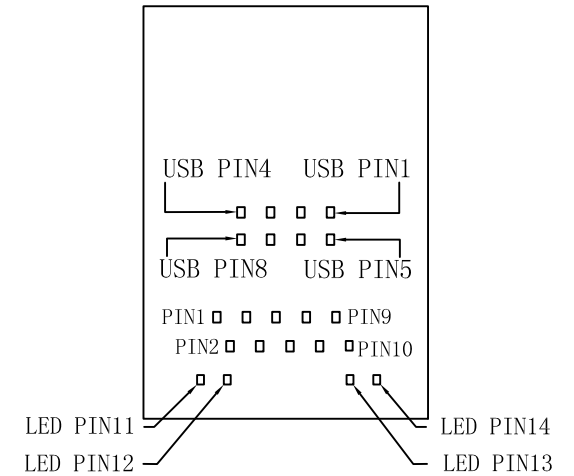
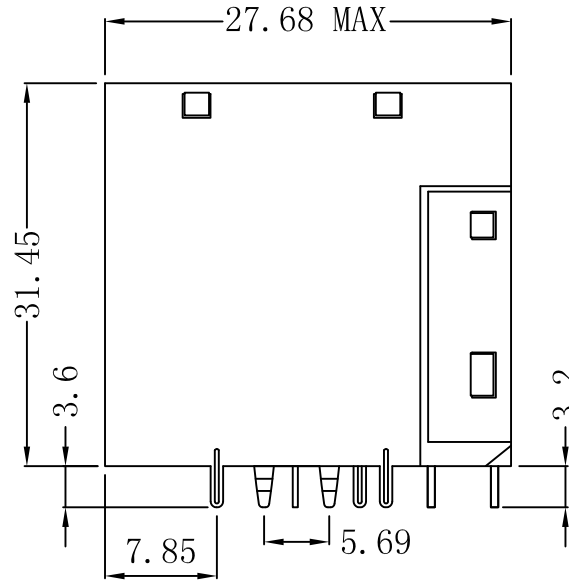
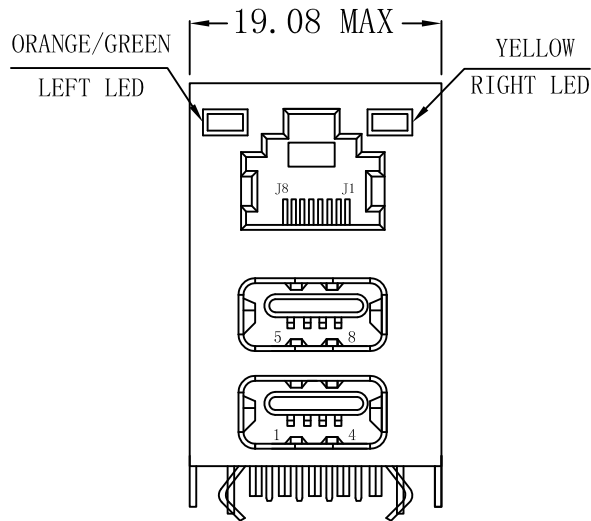
RIGHT LED



X:X	±0.30	APPD:	LINK-PP INT'L TECHNOLOGY CO., LIMITED	
X:XX	±0.20	CHKD:	TITLE: RJ45 10/100/1000BASE-TX JACK/ Dual USB Combo	
X:XXX	±0.10	DR: TOM	PART NO.: LPJU5303BONL	
ANGLES	±1°	UNIT: mm		
	SCALE: 2/1	SHEET: 1/2	REV: A	DWG NO.: TRC09010901

Mechanical :

REV.	ECN NO.	DESCRIPTION	DATE	APPD
A	REL		09/01/2009	



SUGGESTED PCB LAYOUT (TOP VIEW)

NOTES:

1. Designed to support application, such as SOHO (ADSL modems), LAN-on-Motherboard (LOM), hub and Switches.
2. Meets IEEE 802.3 specification
3. Connector Materials:
Housing: Thermoplastic UL94V-0
Contact/Shield: Copper alloy
Shield plating: Nickel
RJ-45 Contact plating: Gold 6 micro-inches min. In contact area
USB Contact plating: Gold Flash.
4. Wave peak temperature: 260°C, 5Sec.



X:X	±0.30	APPD:	LINK-PP INT'L TECHNOLOGY CO., LIMITED
X:XX	±0.20	CHKD:	
X:XXX	±0.10	DR: TOM	TITLE: RJ45 10/100/1000BASE-TX JACK/ Dual USB Combo
ANGLES	±1°	UNIT: mm	PART NO.: LPJU5303BONL
	SCALE: 2/1	SHEET: 2/2	REV: A
			DWG NO.: TRC09010901